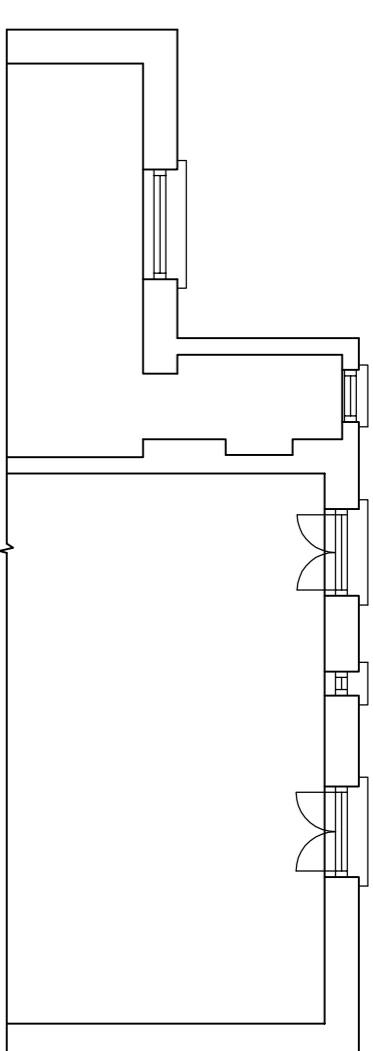
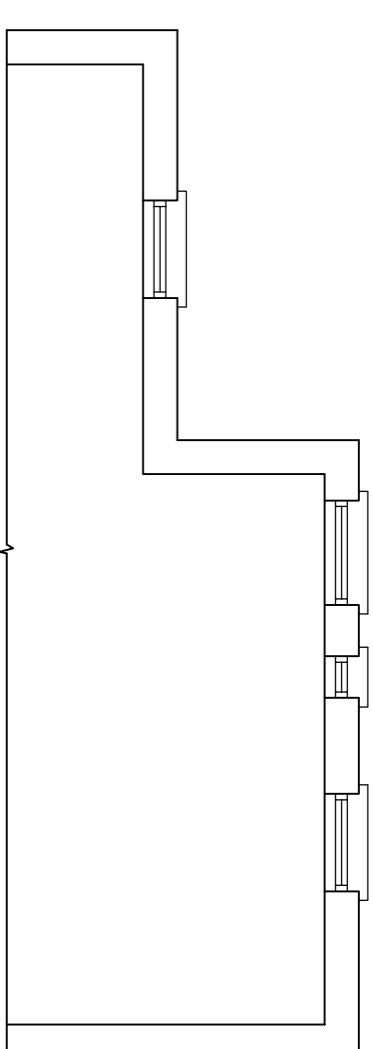


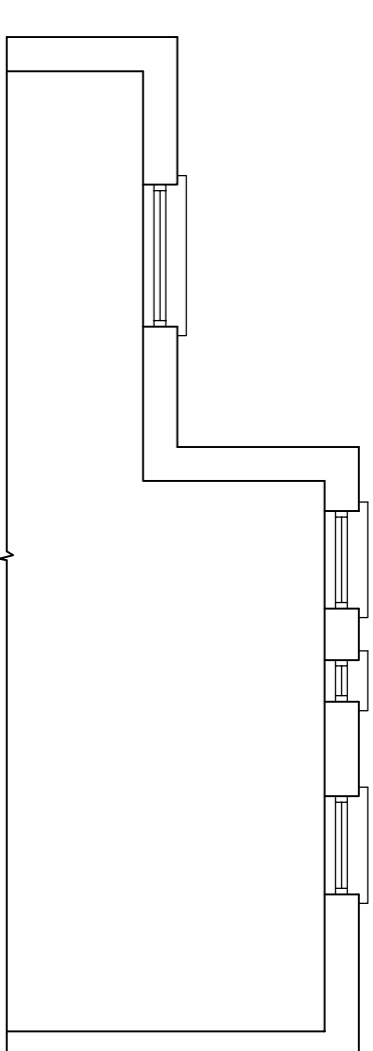
LOWER GROUND FLOOR



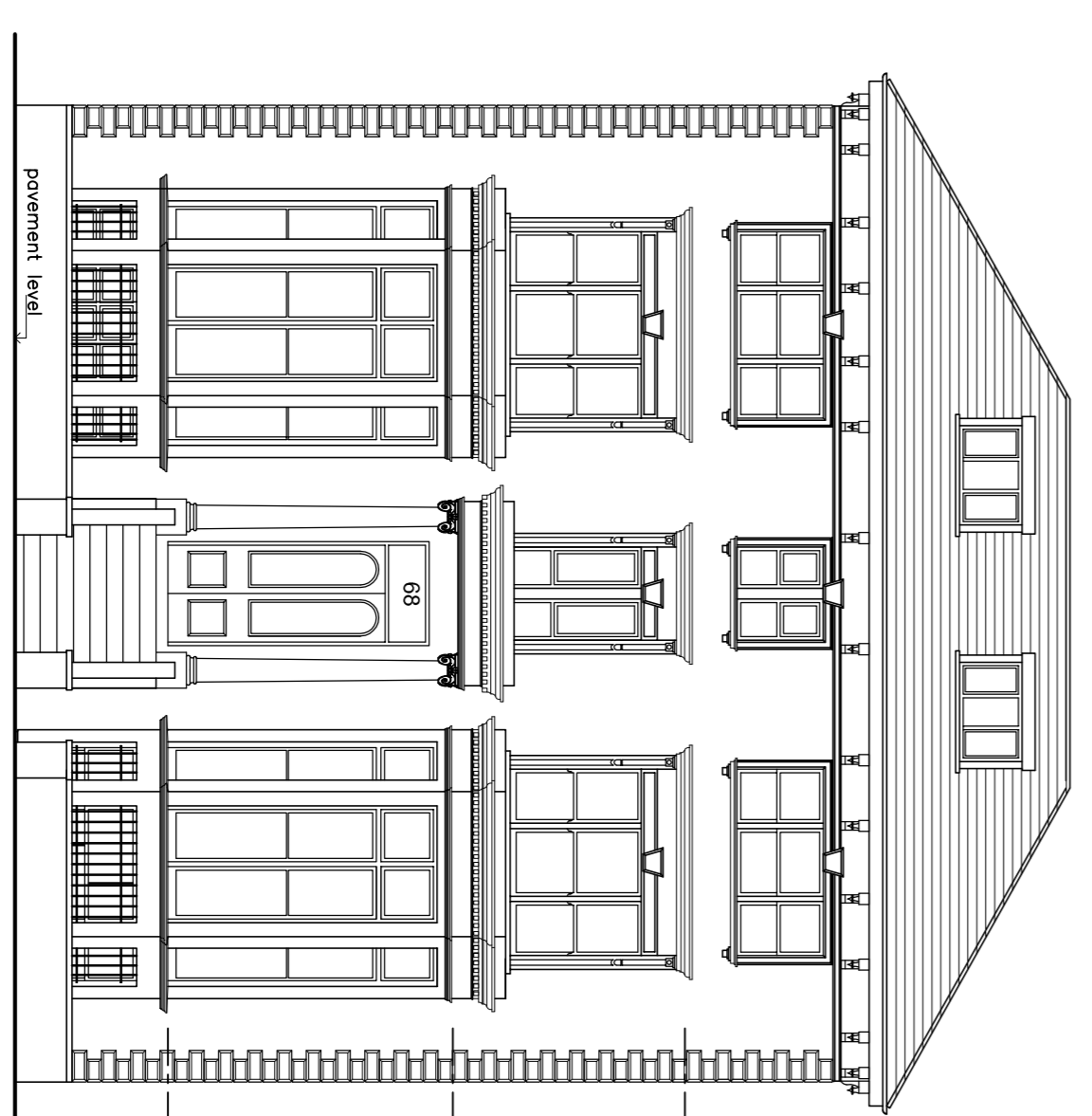
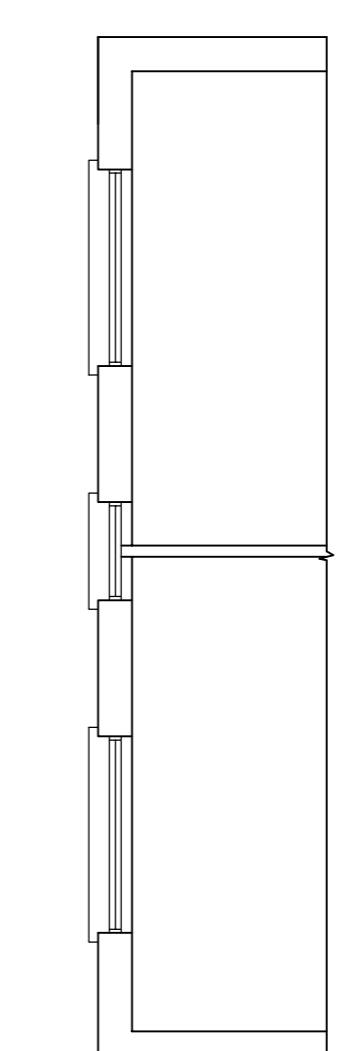
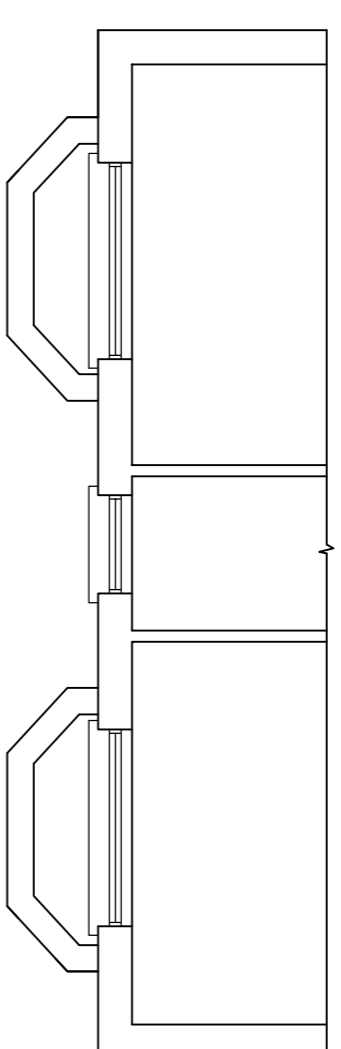
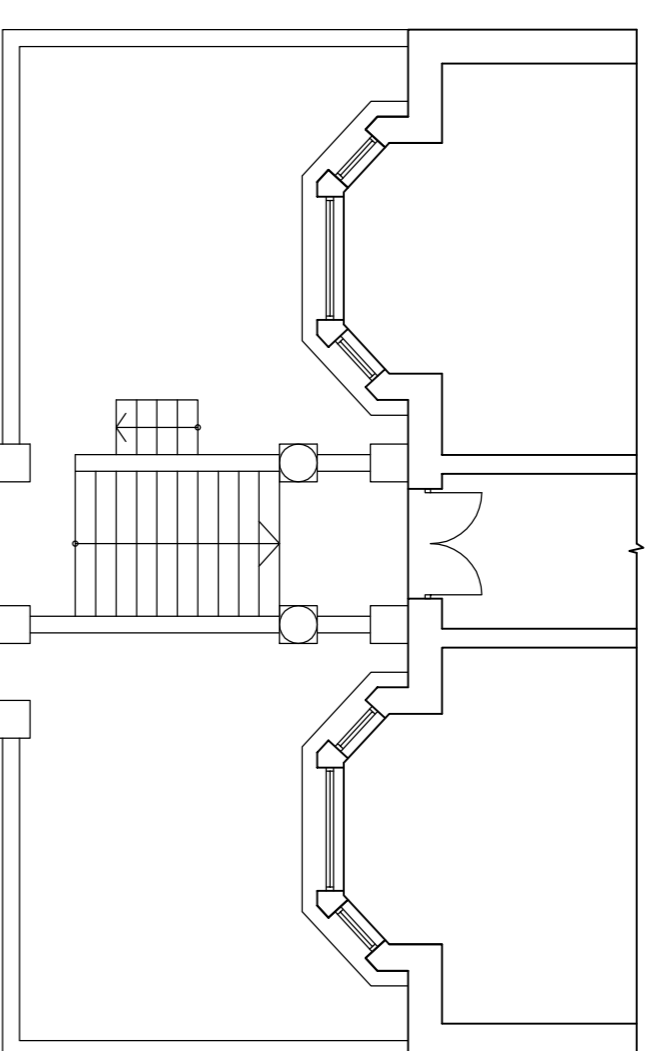
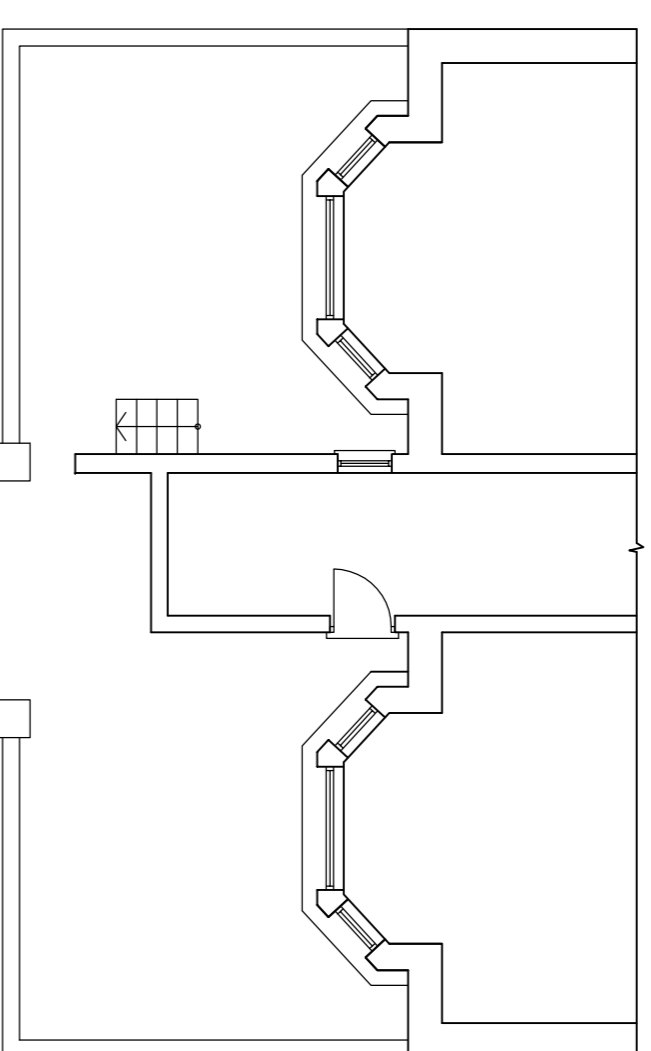
GROUND FLOOR



FIRST FLOOR



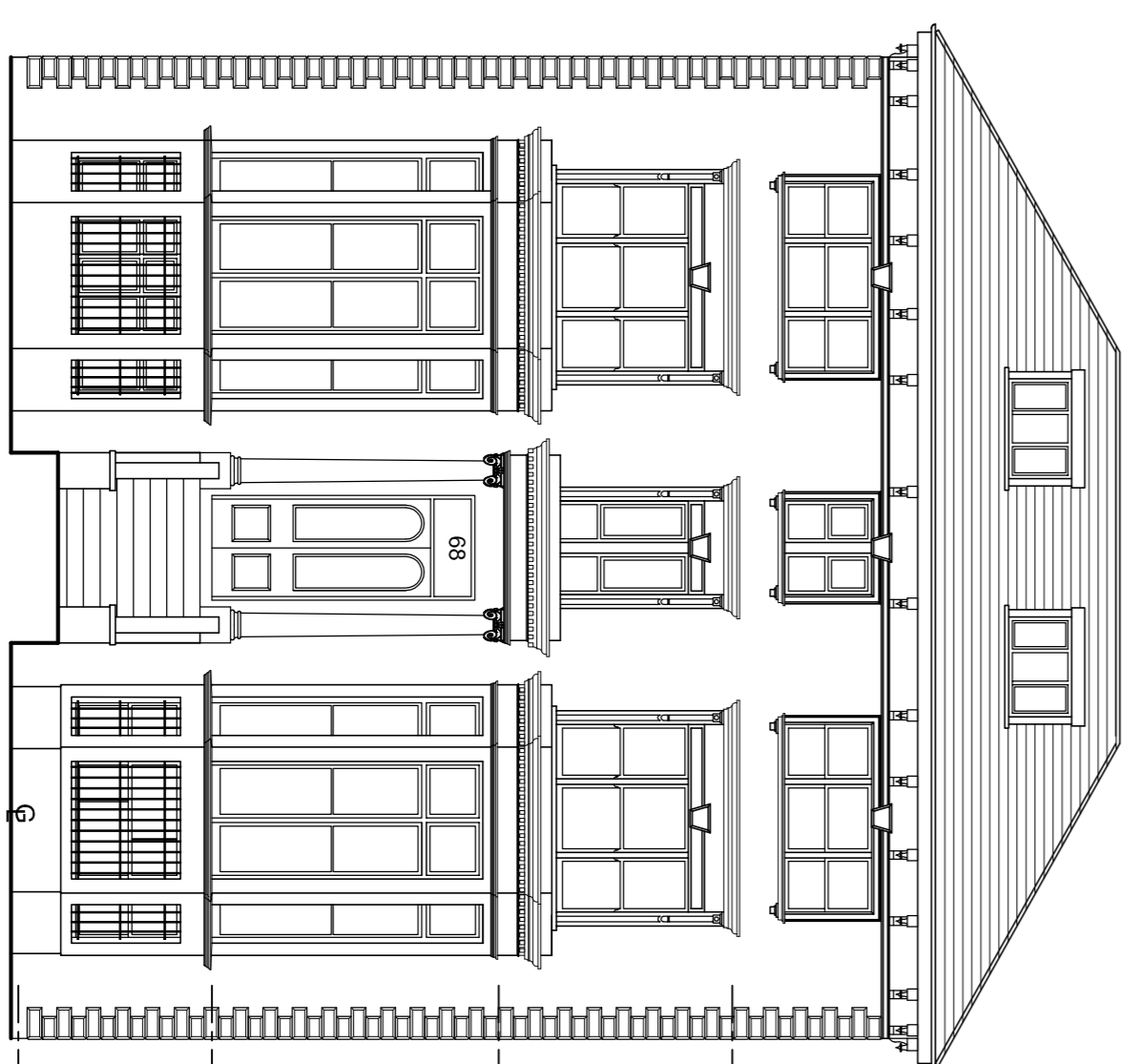
SECOND FLOOR



ELEVATION TO BELSIZE PARK



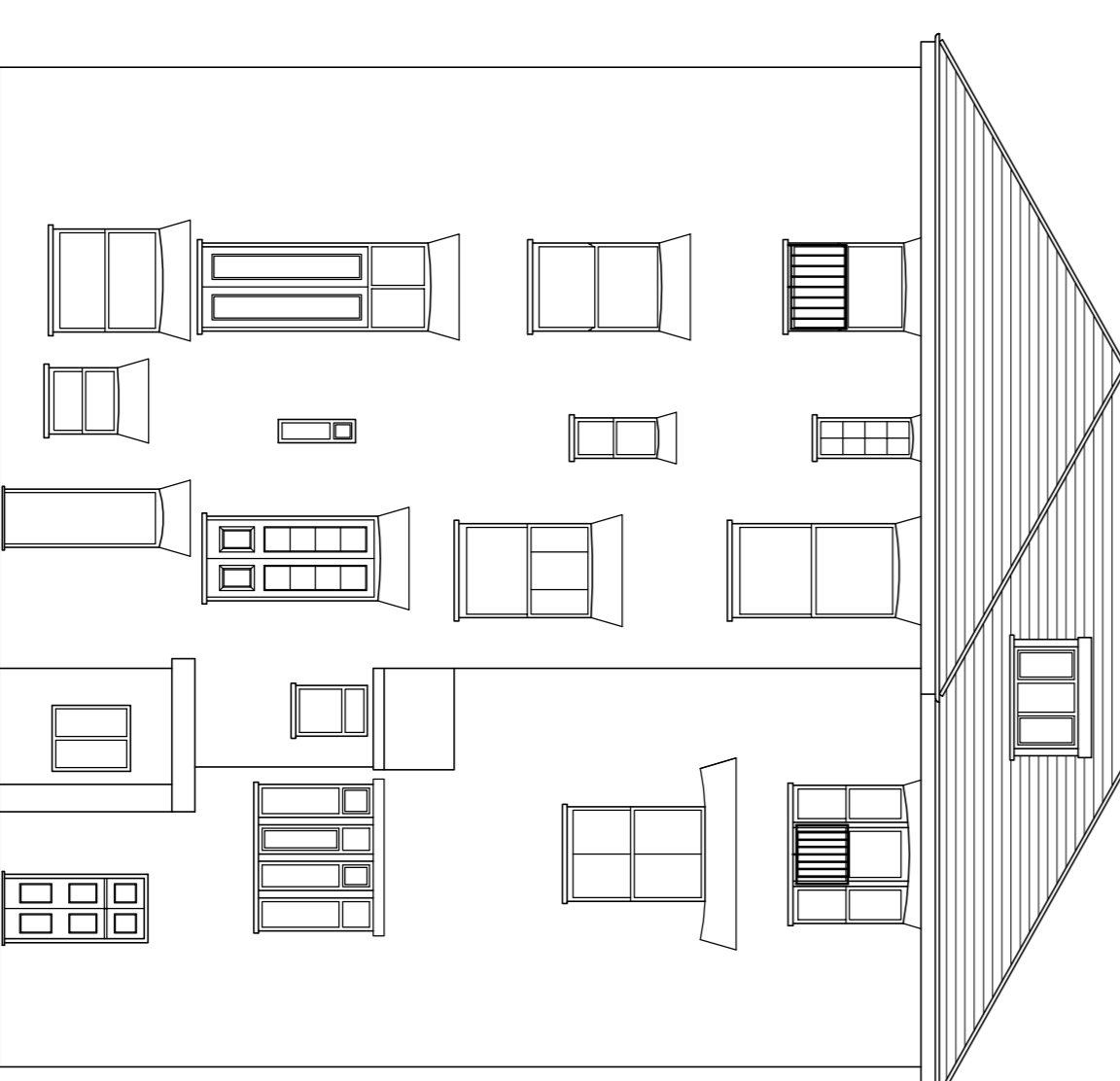
ELEVATION TO BELSIZE PARK



FRONT ELEVATION TO BELSIZE PARK



FRONT ELEVATION TO BELSIZE PARK



REAR ELEVATION

PRELIMINARY

revisions

No.	Description

Job title

68 Belsize Park London NW3 4EH

drawing title

PROPOSED

Alexander Elliott Ltd.
Architecture – Surveying – Design
224 Ballards Lane, London N3 2LX
TEL:020 8445 9821 FAX:020 8446 0206
e-mail: design@archivos.co.uk



Project No. **286** date July 2014
scale 1:100 @A1 drawn ap

drawing No **286.S.02**