



A family of compact, fully submersible discrete LED luminaires

Can be installed in the most challenging of exterior environments and can be fully submersed in water

Compact size with excellent power utilising a single LED or three LEDs

Beam control for different features or specific details

All LEDs are dual binned within a 2 step MacAdam ellipse to ensure colour consistency

A range of optics is available to suit every application

Advanced acdc heat sink technology maintains a cool LED junction temperature

Choice of colour finishes available

Can be installed in the most challenging of exterior environments and can be fully submersed in water

IP68



Spek - acdc1031



Artemis - acdc 1032



Spek

LED Type	Cree			
LED Quantity	1			
Drive Current	700mA			
Power Consumption. Including 85% Efficient Driver	2.5			
PFC	Driver dependent(Typical 0.9)			
Colour Temp	2700k	3000K	4200K	6000K
Initial Colour Accuracy	2 Step MacAdam Ellipse			
Colour Stability Over Life. Measured at 6000hrs	2 Step MacAdam Ellipse			
CRI	80	80	80	80
Initial Lamp Lumen Output	130	146	157	174
Initial Lamp Lumens per Circuit Watt	52	58	63	70
Lamp Lumen Output including Thermal & Optical Losses	110	124	133	148
Lamp Lumens (Including Thermal & Optical Losses) per Circuit watt	44	50	53	59
Luminaire Lumen Output	92	104	111	123
Luminaire Lumens per Circuit watt	36.80	41.60	44.40	49.20
Lifetime L70. Based on TM-21	>50,000 hours			
Lumen Depreciation LIF Cat/Codes for % depreciation at 10,000hrs	Cat1/Code9			

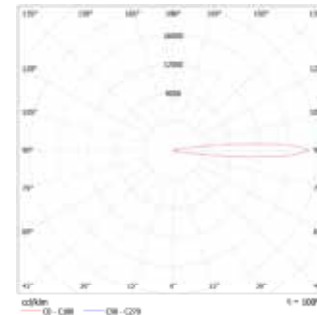
Based on 12°

Artemis

LED Type	Cree			
LED Quantity	3			
Drive Current	700mA(*SSB finish variant max 350mA)			
Power Consumption. Including 85% Efficient Driver	7.7			
PFC	Driver dependent(Typical 0.9)			
Colour Temp	2700k	3000K	4200K	6000K
Initial Colour Accuracy	2 Step MacAdam Ellipse			
Colour Stability Over Life. Measured at 6000hrs	2 Step MacAdam Ellipse			
CRI	80	80	80	80
Initial Lamp Lumen Output	390	438	471	521
Initial Lamp Lumens per Circuit Watt	51	57	61	68
Lamp Lumen Output including Thermal & Optical Losses	331	372	400	443
Lamp Lumens (Including Thermal & Optical Losses) per Circuit watt	43	48	52	58
Luminaire Lumen Output	311	331	342	361
Luminaire Lumens per Circuit watt	40.39	42.99	44.42	46.88
Lifetime L70. Based on TM-21	>50,000 hours			
Lumen Depreciation LIF Cat/Codes for % depreciation at 10,000hrs	Cat1/Code9			

Based on 12°

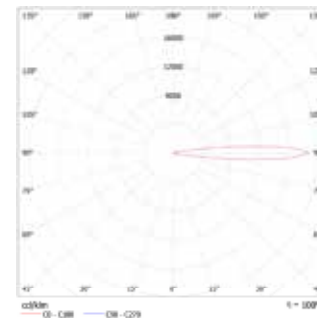
Spek



Mounting Height (m)	Beam Cone Width (m)	Orthogonal Beam Cone Width (m)	Projected Illuminance (lx)
0.5	0.13	0.13	22760.8
1	0.27	0.27	5690.2
2	0.54	0.54	1422.6
3	0.81	0.81	632.2
4	1.08	1.08	355.6
5	1.35	1.35	227.6
6	1.62	1.62	158.1
8	2.16	2.16	88.9
10	2.70	2.70	56.9
20	5.39	5.40	14.2

Based on 3000°k and 12°

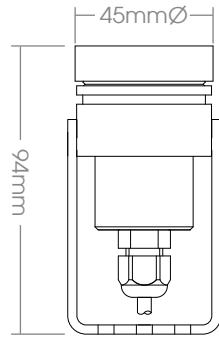
Artemis



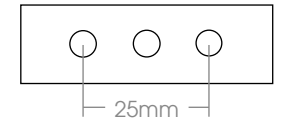
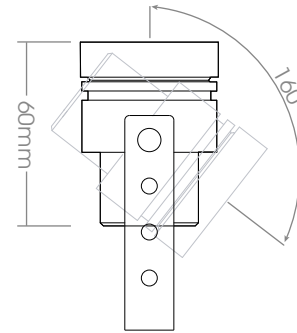
Mounting Height (m)	Beam Cone Width (m)	Orthogonal Beam Cone Width (m)	Projected Illuminance (lx)
0.5	0.10	0.10	24923.0
1	0.19	0.19	6230.8
2	0.38	0.38	1557.7
3	0.57	0.57	692.3
4	0.76	0.76	389.4
5	0.96	0.96	249.2
6	1.15	1.15	173.1
8	1.53	1.53	97.4
10	1.91	1.91	62.3
20	3.82	3.82	15.6

Based on 3000°k and 12°

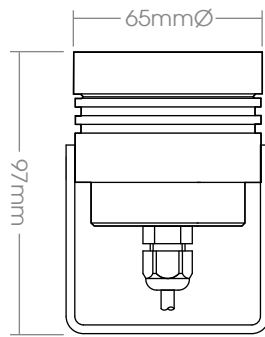
Spek



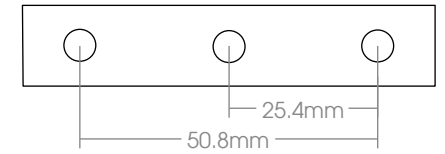
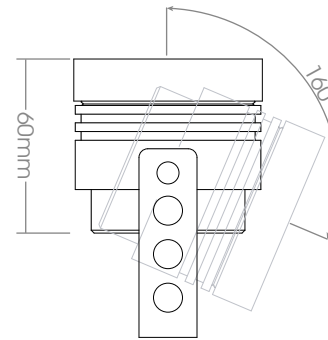
Spek



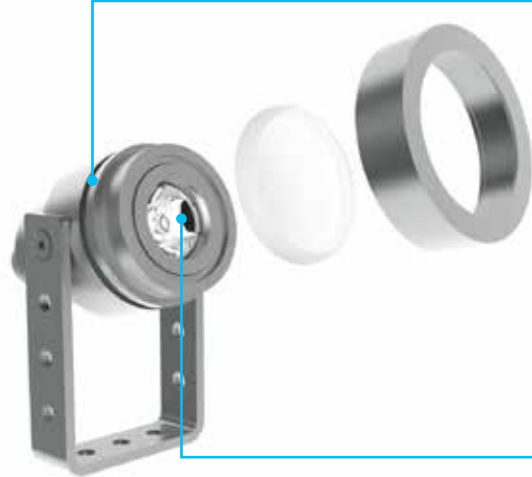
Artemis



Artemis



Spek



Finishes

Stainless Steel Brushed	Chlorine Anodised Silver	Hard Anodised Silver	Anodised Aluminium Silver
Chlorine Anodised Black	Hard Anodised Black	Anodised Aluminium Black	

LED Colour

2700°K	3000°K	4200°K	6000°K
RED	GREEN	BLUE	AMBER

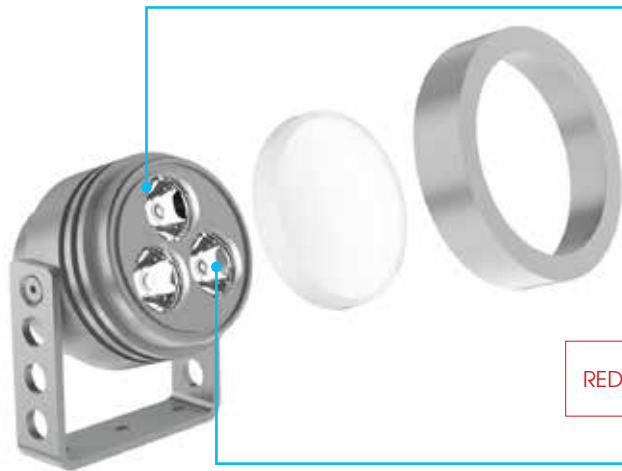
Optics

12°	18°	30°	50°
-----	-----	-----	-----

Glass

Clear	Frosted
-------	---------

Artemis



Finishes

Stainless Steel Brushed	Chlorine Anodised Silver	Hard Anodised Silver	Anodised Aluminium Silver
Chlorine Anodised Black	Hard Anodised Black	Anodised Aluminium Black	

LED Colour

2700°K	3000°K	4200°K	6000°K	
RED	GREEN	BLUE	AMBER	RGB

Optics

12°	18°	30°	50°
-----	-----	-----	-----

Spek

Spek, Stainless Steel Brushed, Green, 30°, Clear (standard option)

acdc1031/SSB/G/30/DGC

Finishes

Anodised Aluminium Silver	AAS
Anodised Aluminium Black	AAB
Stainless Steel Brushed	SSB
Hard Anodised Silver*	HAS
Hard Anodised Black*	HAB
Chlorine Anodised Silver*	CAS
Chlorine Anodised Black*	CAB

LED Colour

2700k	27
3000k	30
4200k	42
6000k	60
Red	R
Green	G
Blue	B
Amber	A

Optics

12°	12R
18°	18R
30°	30R
50°	50R

Glass

Clear	DGC
Frosted	DGF

Artemis

Artemis, Anodised Aluminium Silver, 3000°K, 18°

acdc1032/AAS/30/18R

Finishes

Anodised Aluminium Silver	AAS
Anodised Aluminium Black	AAB
Stainless Steel Brushed	SSB
Hard Anodised Silver*	HAS
Hard Anodised Black*	HAB
Chlorine Anodised Silver*	CAS
Chlorine Anodised Black*	CAB

LED Colour

2700k	27
3000k	30
4200k	42
6000k	60
Red	R
Green	G
Blue	B
Amber	A
RGB	RGB

Optics

12°	12R
18°	18R
30°	30R
50°	50R

Additional Option: 100mm Garden Spike - acdc1702

*Options available for an additional cost

Switched



1-10v



Phase



DALI



DMX



Switched

	Spek		Artemis
Driver Code	acdc1900/A/700/SWT/None	acdc1900/B/700/SWT/None	acdc1900/B/700/SWT/None
Dimensions	111 x 52 x 23.5 mm	180 x 32 x 32 mm	180 x 32 x 32 mm
Weight	100 gram	120g	120g
Input Voltage	110-240Vac	220 - 240Vrms	220 - 240Vrms
Current	700	700	700
Power Consumption	20W @ 230V	33W	33W
Dimming Range	None	None	None
Channels	1	1	1
Number of products driven per driver	1-4	4-13	2-4

1-10v

	Spek		Artemis
Driver Code	acdc1900/A/700/1-10/Solo	acdc1900/B/700/1-10/Solo	acdc1900/A/700/1-10/Solo
Dimensions	111 x 52 x 23.5 mm	180 x 32 x 32 mm	111 x 52 x 23.5 mm
Weight	100 gram	125 gram	100 gram
Input Voltage	10-240Vac	220 to 240V ac rms	10-240Vac
Current	700	700	700
Power Consumption	20W @ 230V	33W	20W @ 230V
Dimming Range	0%-100%	5%-100%	0%-100%
Channels	1	1	1
Number of products driven per driver	1-4 LED's	4-13	2-4

Phase

	Spek	Artemis
Driver Code	acdc1900/B/700/PHA/None	acdc1900/E/700/DMX/Multi
Dimensions	244 x 58 x 42 mm	388 x 42 x 30 mm
Weight	240 gram	890 g
Input Voltage	230 Volt +/- 10%	120 - 277 VAC
Current	700	700
Power Consumption	33.6W	100W max
Dimming Range	Depends on dimmer capabilities	0.1%-100%
Channels	1	3
Number of products driven per driver	4-13	2-4

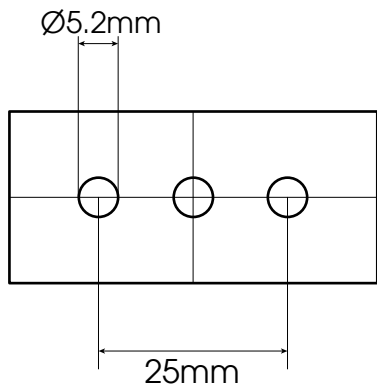
DALI

	Spek		Artemis
Driver Code	acdc1900/A/700/Dali/Solo	acdc1900/C/700/DALI/Solo	acdc1900/E/700/DMX/Multi
Dimensions	210 x 41 x 33.5 mm	180 x 32 x 32 mm	388 x 42 x 30 mm
Weight	225 g, 7.94 oz.	120g	890 g
Input Voltage	AC 120-277V / DC 120-250V	220 - 240Vrms	120 - 277 VAC
Current	700	700	700
Power Consumption	30w	30W	100W max
Dimming Range	0%-100%	Off, 10%-100%	0.1%-100%
Channels	1	1	3
Number of products driven per driver	1-4	5-13	2-4

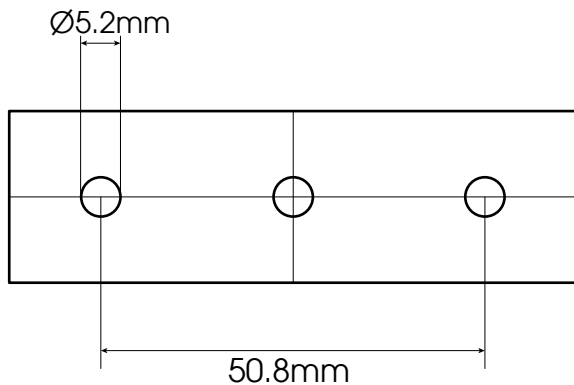
DMX

	Spek	Artemis
Driver Code	acdc1900/E/700/DMX/Multi	acdc1900/E/700/DMX/Multi
Dimensions	388 x 42 x 30 mm	388 x 42 x 30 mm
Weight	890 g	890 g
Input Voltage	120 - 277 VAC	120 - 277 VAC
Current	700	700
Power Consumption	100W max	100W max
Dimming Range	0.1%-100%	0.1%-100%
Channels	3	3
Number of products driven per driver	1-4 / 4-13	2-4

Spek bracket dimensions (1:1 scale)

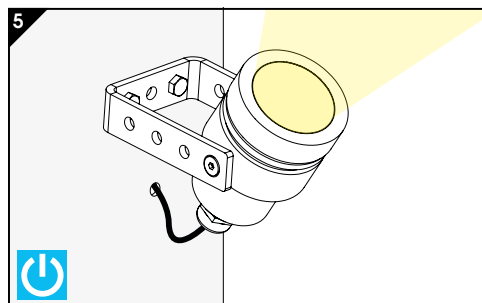
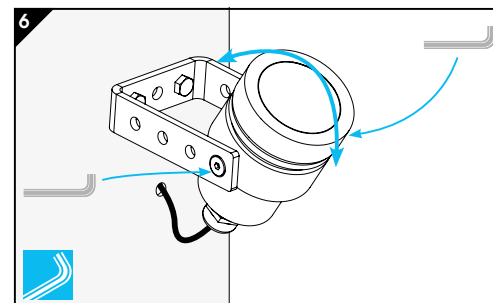
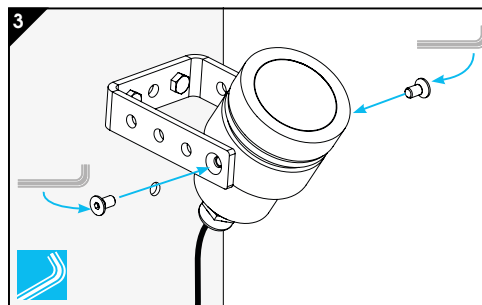
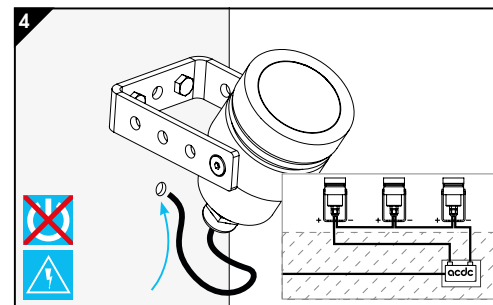
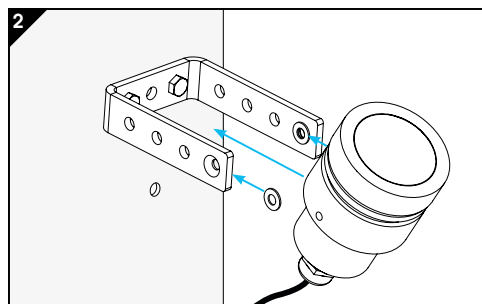
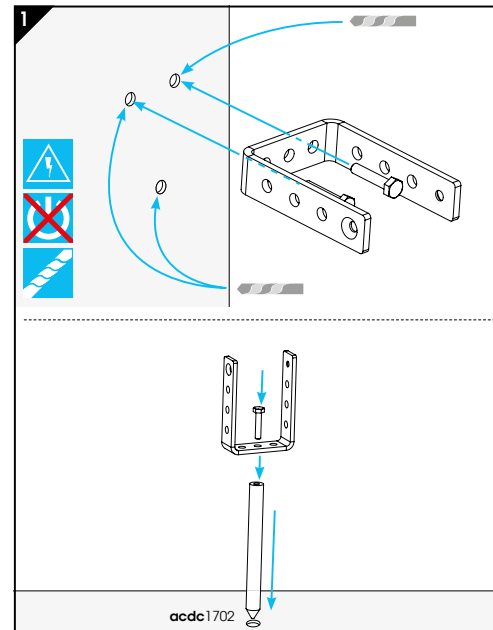
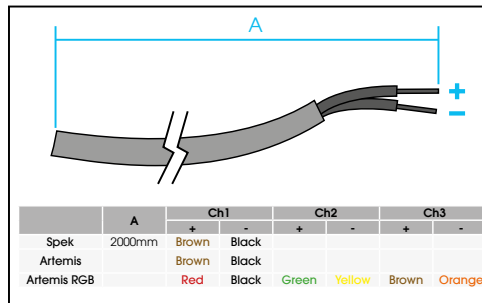


Artemis bracket dimensions (1:1 scale)



For full installation guides including wiring diagrams visit acdcighting.co.uk

Installation steps



Head office

Wordsworth House
Vantage Court, Riverside Way
Barrowford
Lancashire
UK
BB9 6BP

Tel: +44 (0) 845 862 6400
Fax: +44 (0) 845 862 6401
Email: sales@acdclighting.co.uk

Manufacturing

Innovation Works
Gisburn Road
Barrowford
Lancashire
UK
BB9 8NB

Tel: +44 (0) 845 862 6400

London Studio

Ground Floor
Central Block
Green Mews
Bevenden Street
London
N1 6AS

Sales Tel: +44 (0) 845 862 6400
Deliveries Tel: +44 (0) 845 862 6458
Email: london@acdclighting.co.uk

Dubai Office

Office 405, Goldcrest Executive Tower
Cluster C - Jumeirah Lakes Towers (JLT)
P.O. Box 643811
Dubai
United Arab Emirates

Email: export@acdclighting.co.uk
Tel: +971 (0) 4 3617365

USA Office

acdc corp, 841 E Fort Ave, #276
Baltimore, MD 21230
USA

Email: sales@acdclighting.us
Tel: +1 (410) 220 0088

Global Distribution Network

We have an established and growing global network of over 60 distributors and consider them a vital extension to our British based export team.

This ensures that all customers receive the same outstanding level of world-class service and knowledge regardless of the location of your project.

For contact details of our distribution partners, please visit

acdclighting.co.uk/contact/distribution-network/ or contact export@acdclighting.co.uk