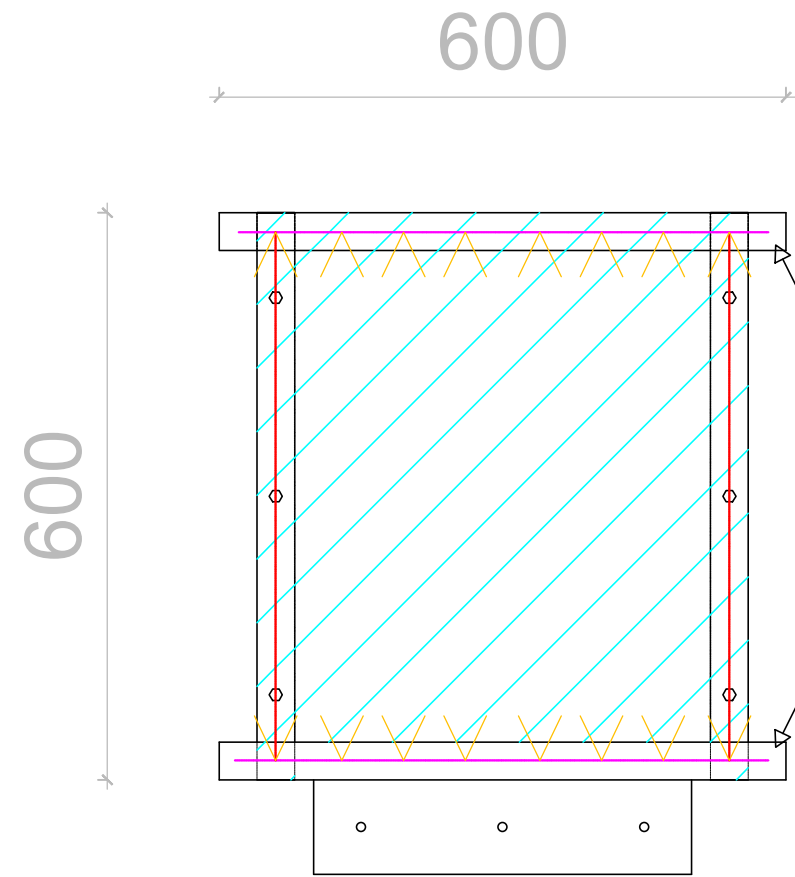
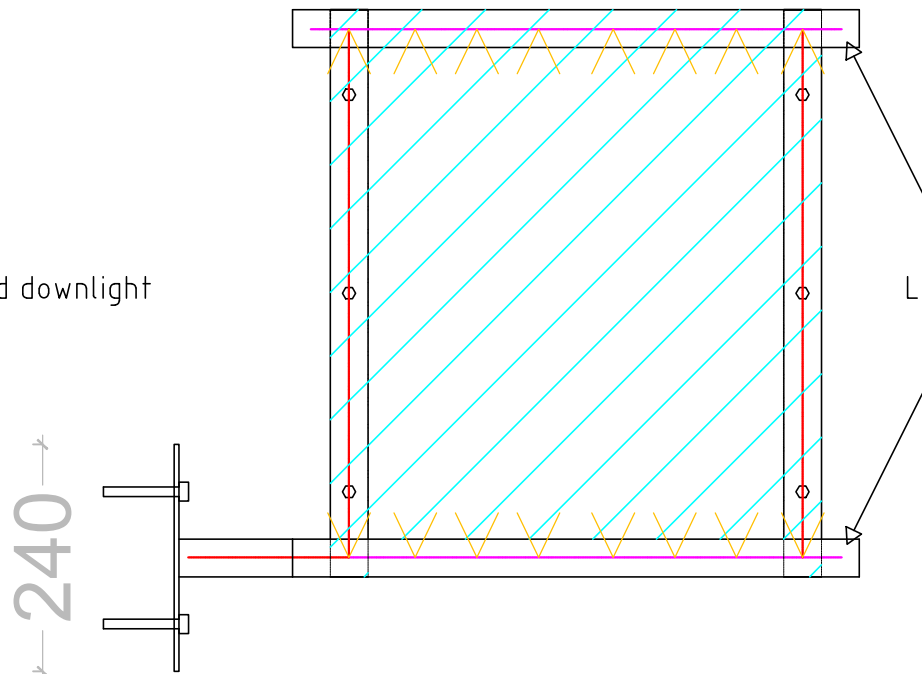


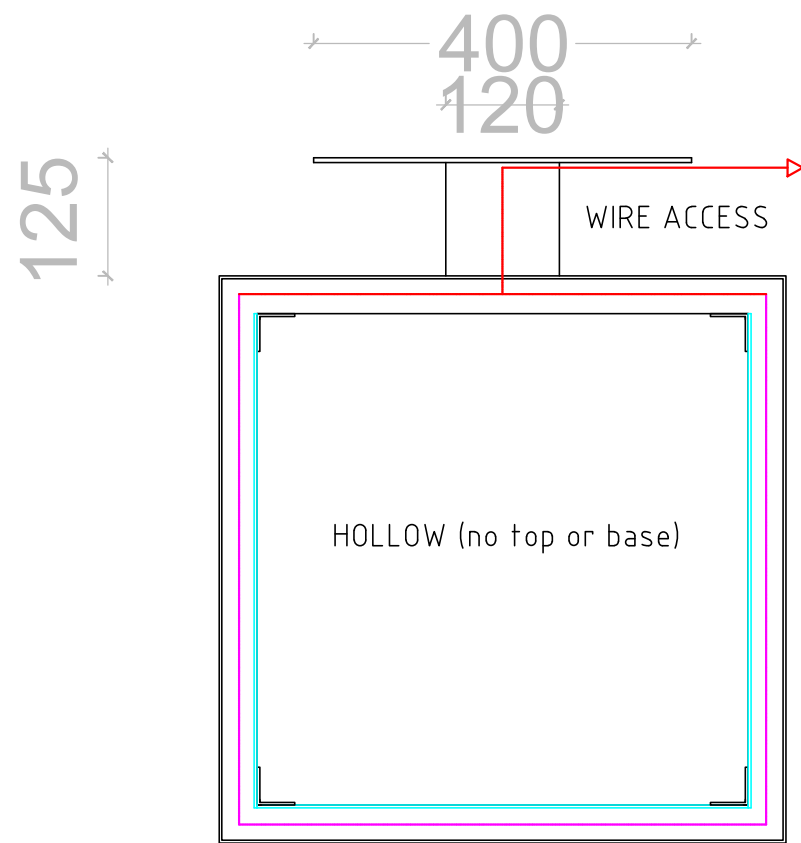
© copyright
 This drawing, design & all information contained herein remains the sole copyright of THE NARRATIVE & reproduction in any form is strictly forbidden unless permission is obtained in writing.
 NOTES:
 - Do not scale from this drawing, all dimensions must be checked on site. The contractor must verify all site dimensions, drawings, details & specifications. Any discrepancies must be reported to THE NARRATIVE prior to any commencement of work.
 - Figured dimensions to take preference over those scaled.
 - All specified items are to be installed in accordance with the manufacturers recommendations & instructions.



LED strip Up and downlight



LED strip Up and downlight



NOTES:

- Lacquered Black steel framework with perspex panels
- Unit Held to wall by 6 x M10 rawl bolts
- Each perspex panel held into unit by 6 x M8 bolts
- Wall mounting arm is 40 x 120 x 5 steel tube
- Wall mounting plate is 6mm steel sheet

KEY:

- Waterproof IP35 rated LED strip
720 lumens per meter
- Waterproofed wiring
- Perspex

rev	date	note	init.
Stage:		N/A	
Client:		MEGARO	
Project:		KINGS CROSS	
Title:		LANTERN	
Scale	1:8	Dwg size:	A3
Drawn:	SJB	Date:	FEB 2014
Drawing No.		Revision:	



Unit R2,
 Rose Business Estate,
 Marlow Bottom,
 Buckinghamshire,
 SL8 5PS.