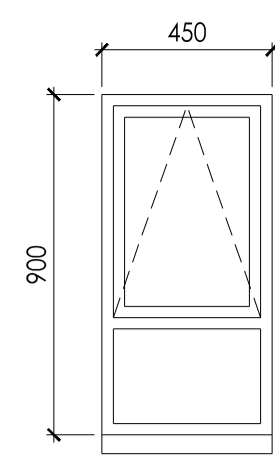
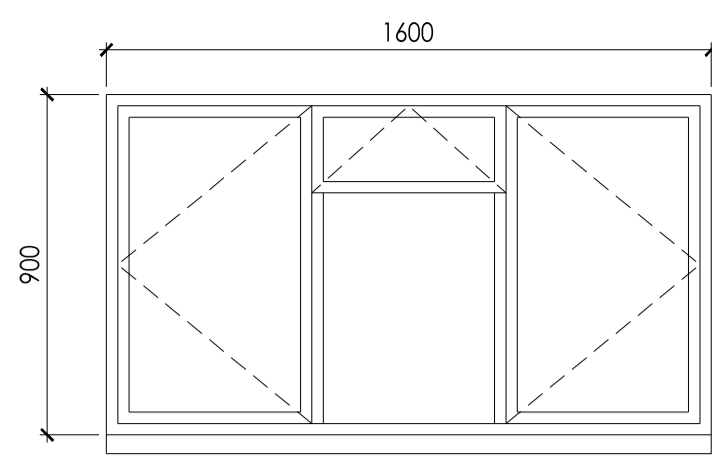


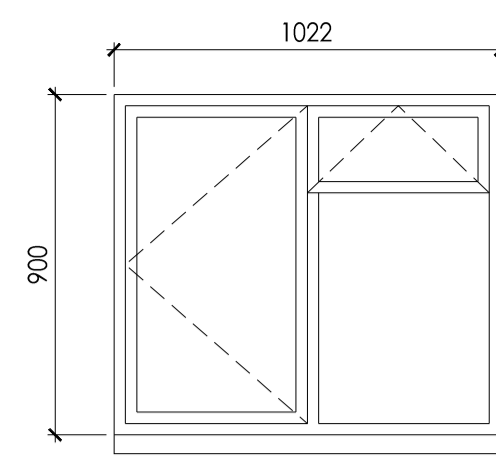
TYPE B  
TIMBER TOP HUNG  
WB.03 WB.06 WB.09  
WB.14 WB.16



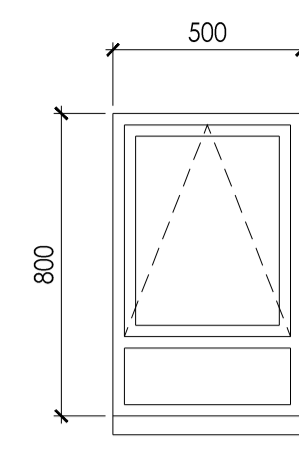
TYPE C  
TIMBER TOP HUNG  
WB.04 WB.07  
WB.10 WB.17



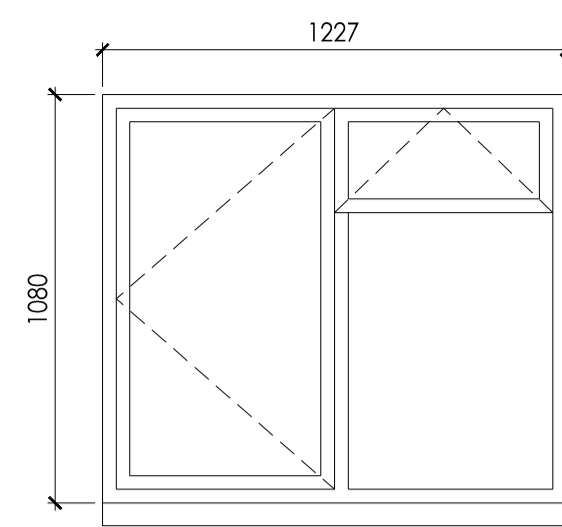
TYPE D  
TIMBER TOP HUNG & CASEMENT  
WB.05 WB.08 WB.11 WB.18



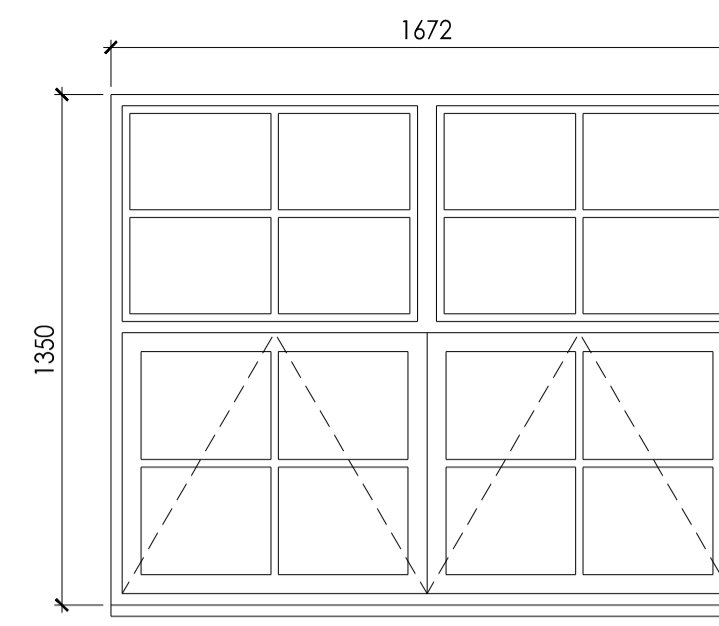
TYPE E  
TIMBER TOP HUNG & CASEMENT  
WB.12 WB.20 WB.24 WB.26  
WB.28



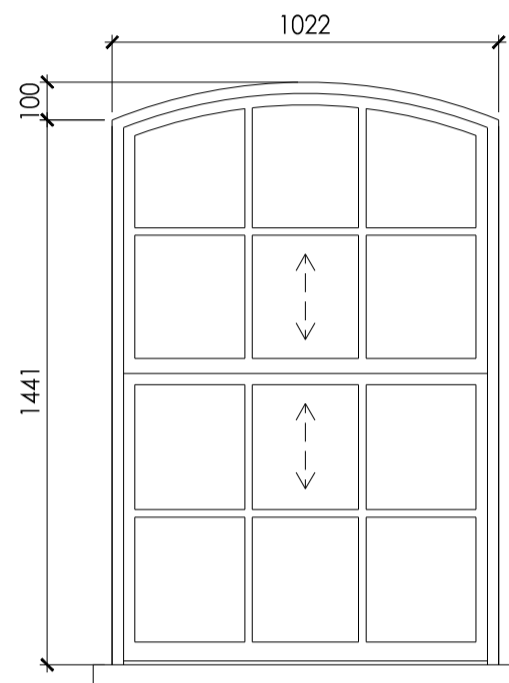
TYPE F  
TIMBER TOP HUNG  
WB.13



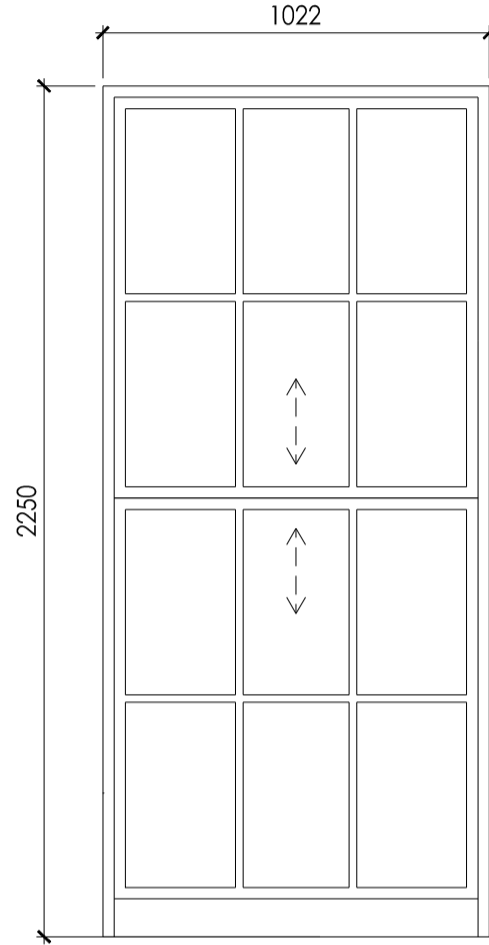
TYPE G  
TIMBER TOP HUNG & CASEMENT  
WB.15



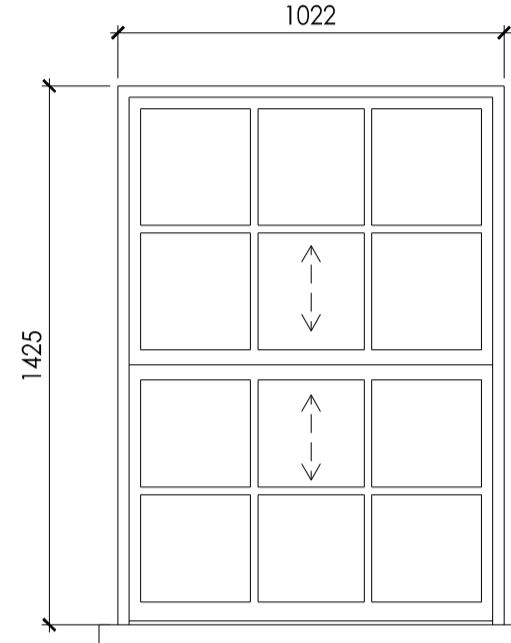
TYPE H  
TIMBER TOP HUNG  
WG.01 WG.02



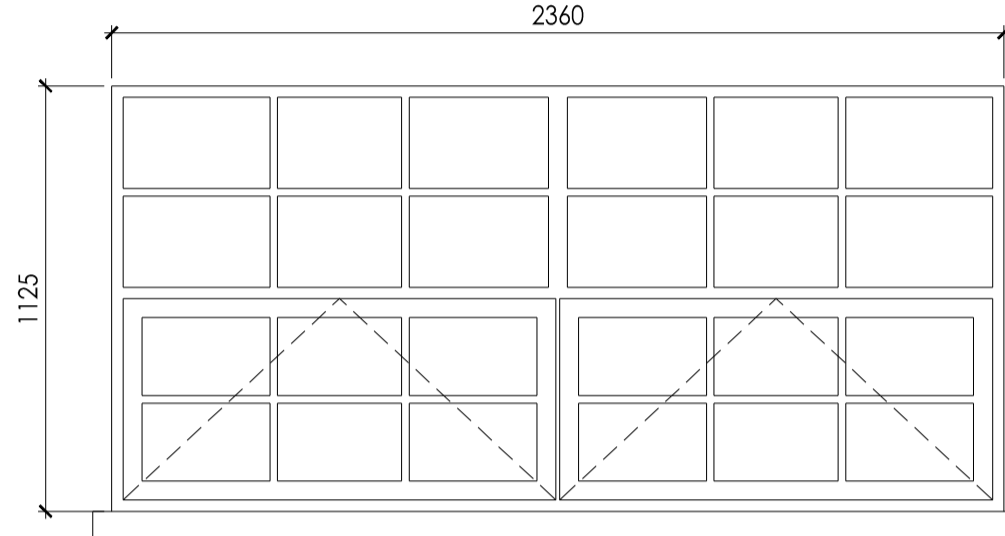
TYPE J  
TIMBER SLIDING SASH  
WG.04 WG.05 WG.06 WG.07  
WG.08 WG.09 WG.10 WG.11  
WG.12 WG.13 WG.14 WG.15



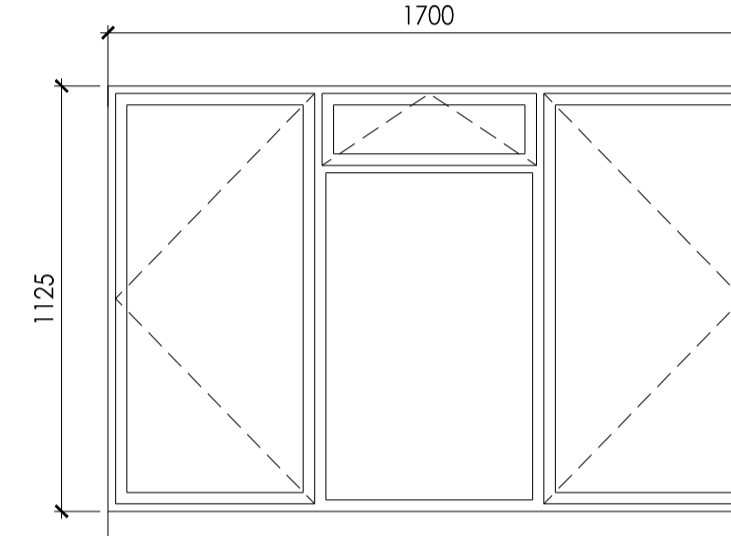
TYPE K  
TIMBER SLIDING SASH  
WF.01 WF.02 WF.03 WF.04  
WF.05 WF.06 WF.07 WF.08  
WF.09 WF.10 WF.11 WF.12  
WF.13 WF.14 WF.15 WF.16  
WF.17 WF.18 WF.19 WF.20  
WF.21 WF.22



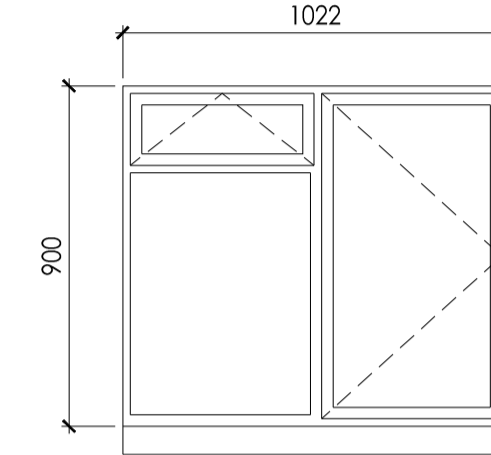
TYPE L  
TIMBER SLIDING SASH  
WB.01 WB.02 WG.03 WS.01  
WS.02 WS.03 WS.04 WS.05  
WS.06 WS.07 WS.08 WS.09  
WS.10 WS.11 WS.12 WS.13  
WS.14 WS.15 WS.16 WS.17  
WS.18 WS.19 WS.20 WS.21  
WS.22 WS.25 WS.27 WS.29  
WS.31 WS.32 WS.33 WS.35  
WS.37 WS.39 WS.41 WS.43



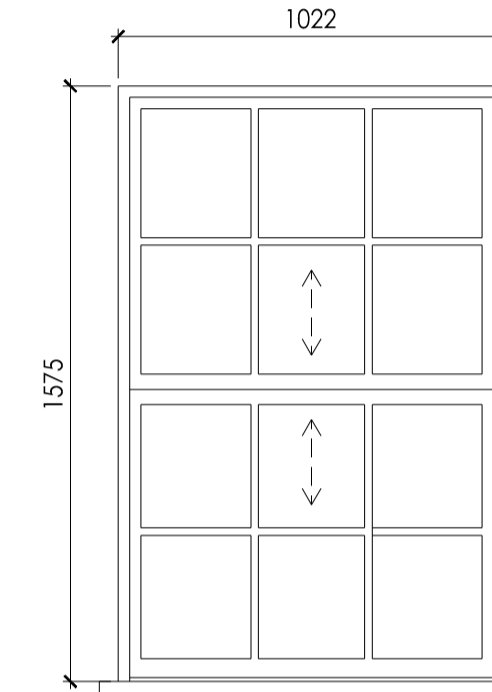
TYPE M  
TIMBER TOP HUNG  
WF.23 WS.23



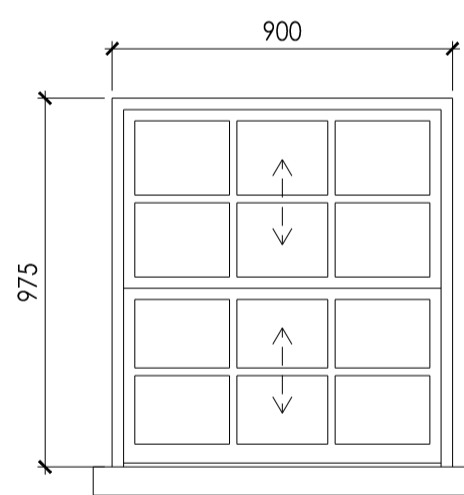
TYPE N  
TIMBER TOP HUNG & CASEMENT  
WB.19 WB.21 WB.23 WB.25 WB.27



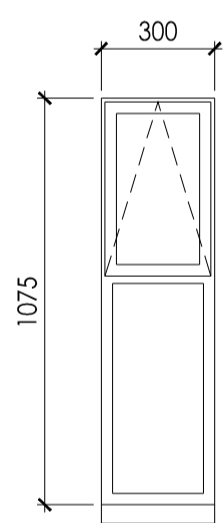
TYPE P  
TIMBER TOP HUNG & CASEMENT  
WB.22



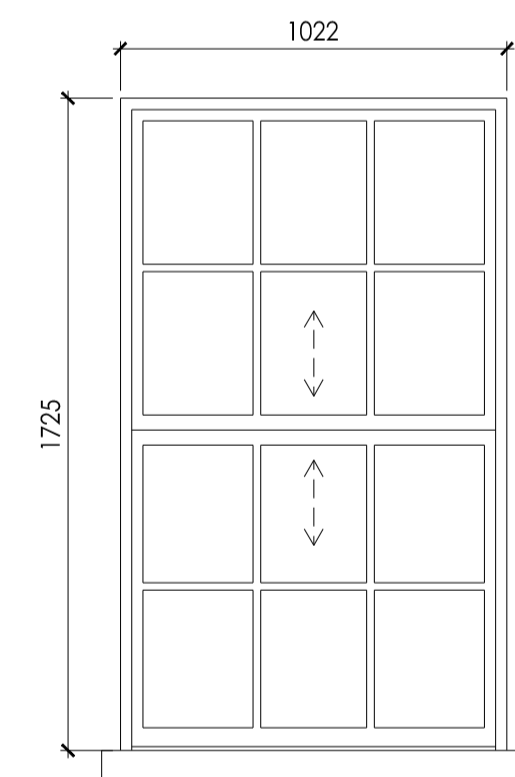
TYPE Q  
TIMBER SLIDING SASH  
WG.16 WG.17 WG.18 WG.19  
WG.20 WG.21 WG.22 WG.23  
WG.24 WG.25 WG.26 WG.27



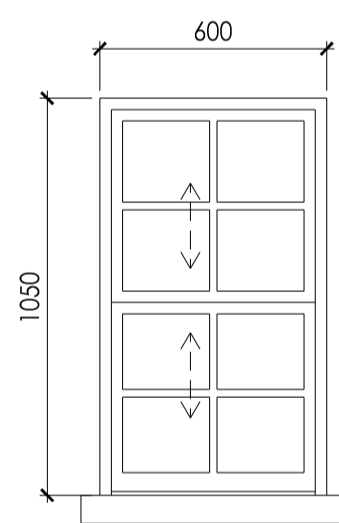
TYPE R  
TIMBER SLIDING SASH  
WF.24 WF.27 WF.36 WF.39  
WF.42 WF.45 WF.48



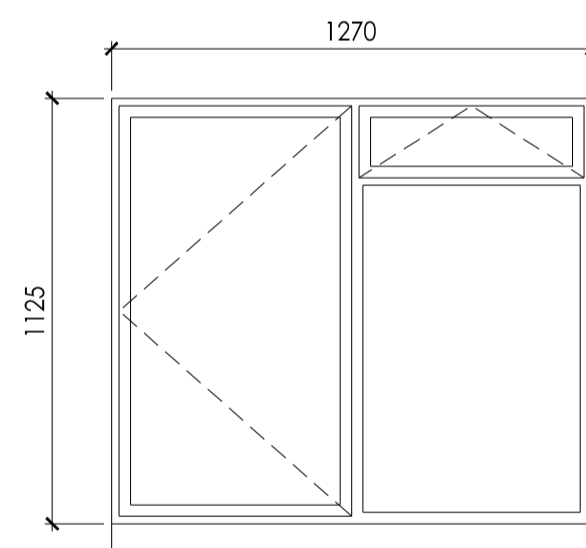
TYPE S  
TIMBER TOP HUNG  
WF.25 WF.28  
WF.37 WF.40  
WF.43 WF.46  
WF.49



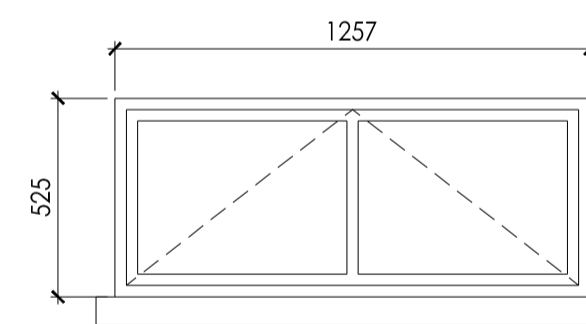
TYPE T  
TIMBER SLIDING SASH  
WF.26 WS.28 WF.29 WF.30  
WF.31 WF.33 WF.34 WF.35  
WF.38 WF.41 WF.44 WF.47  
WF.50



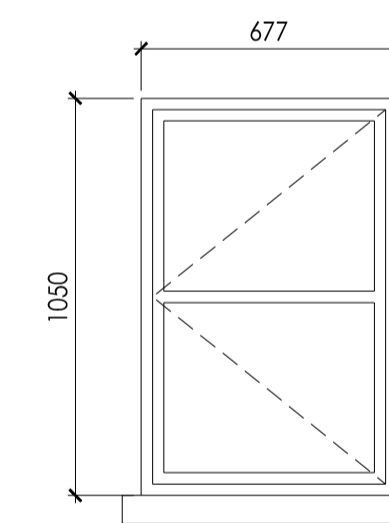
TYPE U  
TIMBER SLIDING SASH  
WS.24 WS.26 WS.33  
WS.35 WS.37 WS.39  
WS.41



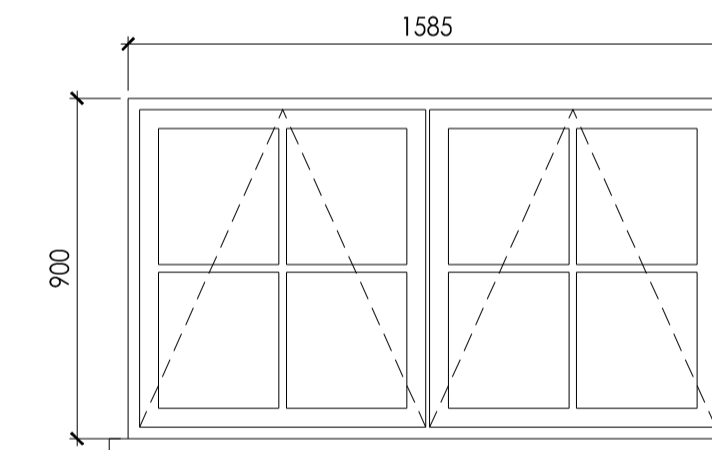
TYPE V  
TIMBER TOP HUNG & CASEMENT  
WF.32 WS.30



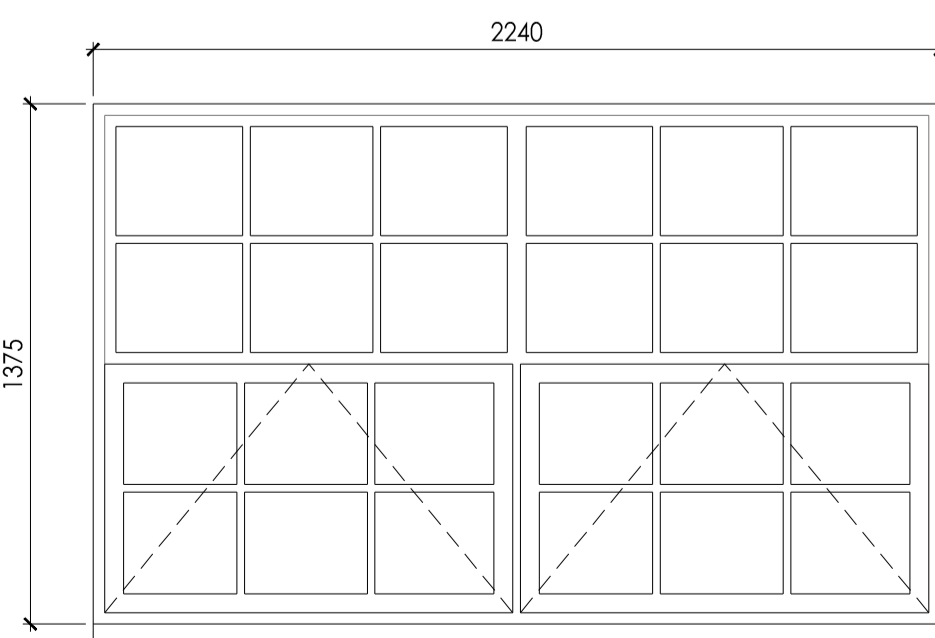
TYPE W  
TIMBER TOP HUNG  
WS.44



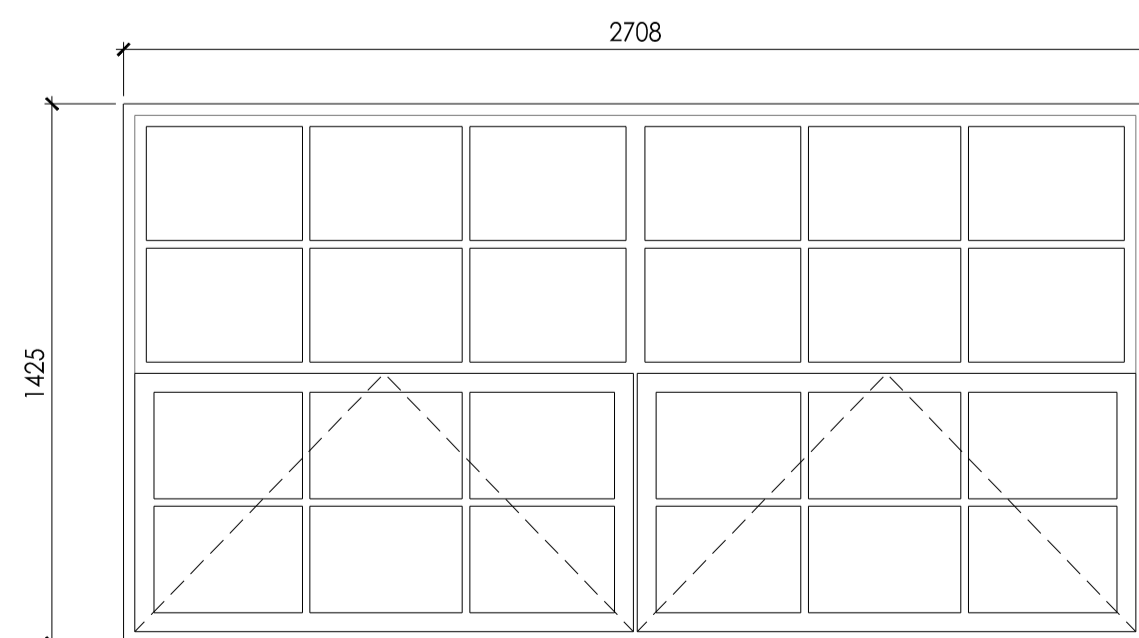
TYPE X  
TIMBER CASEMENT  
WS.45



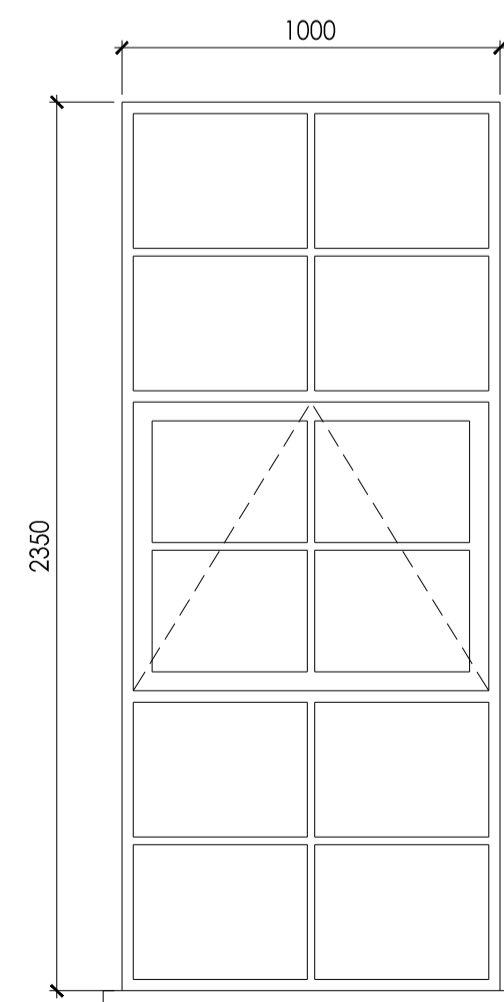
TYPE Y  
TIMBER TOP HUNG  
WG.28



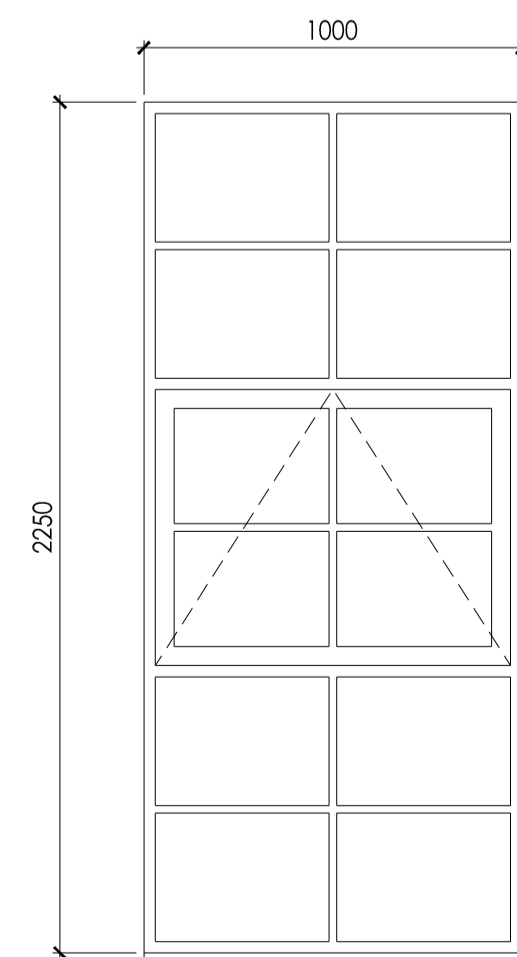
TYPE Z  
TIMBER TOP HUNG  
WG.29



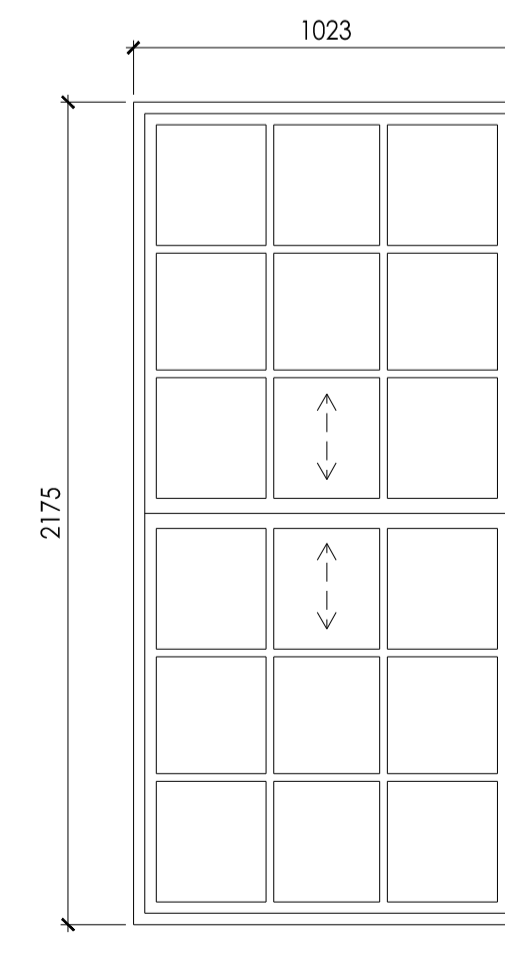
TYPE A1  
TIMBER TOP HUNG  
WF.51 WS.46



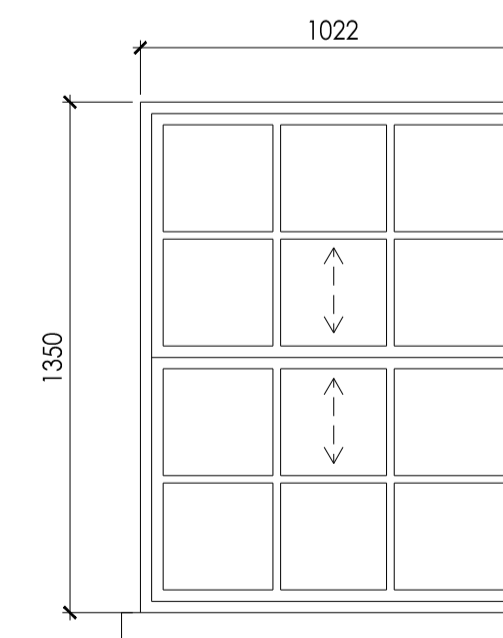
TYPE B1  
TIMBER TOP HUNG  
WF.52



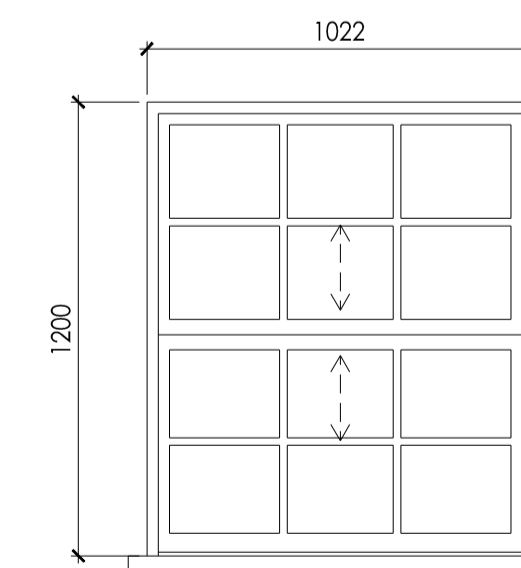
TYPE C1  
TIMBER TOP HUNG  
WS.47



TYPE D1  
TIMBER SLIDING SASH  
WF.53



TYPE E1  
TIMBER SLIDING SASH  
WS.48



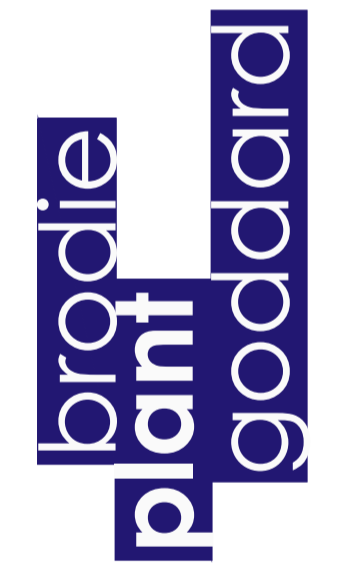
TYPE F1  
TIMBER SLIDING SASH  
WS.25 WS.27



Amendments

.

DO NOT SCALE FOR CONSTRUCTION



BUILDING SURVEYING  
ARCHITECTURE  
PROJECT MANAGEMENT  
QUANTITY SURVEYING

HOLMBURY HOUSE  
DORKING BUSINESS PARK  
STATION ROAD DORKING  
SURREY RH4 1HJ

T 01306 887070  
F 01306 876716  
admin@bpg.co.uk  
www.bpg.co.uk

PROJECT

IRENE BARCLAY HOUSE

CLIENT

ORIGIN HOUSING

DATE  
AUGUST 2014

DRAWN  
LJ CHECKED  
RM

SCALE  
1:20 @ A1 FOR  
PLANNING

TITLE  
PROPOSED WINDOW SCHEDULE

DRAWING NO.  
3651 / PL04 REV  
\*