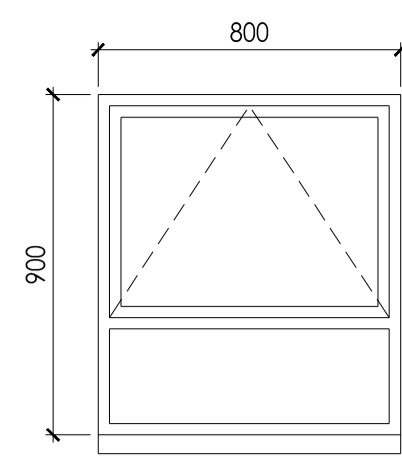
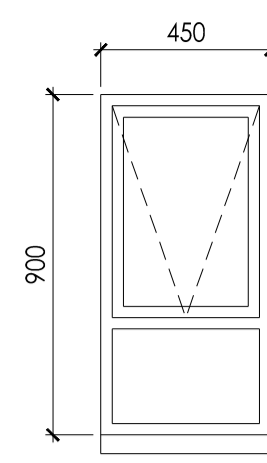


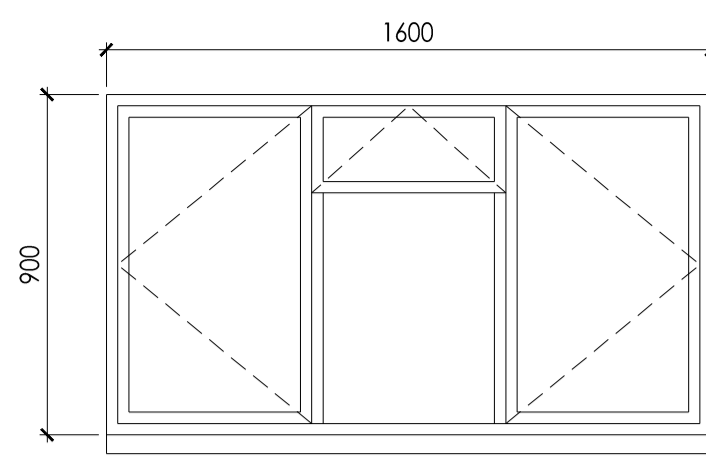
TYPE A
UPVC TOP HUNG
WB.01 WB.02 WG.03 WS.01
WS.02



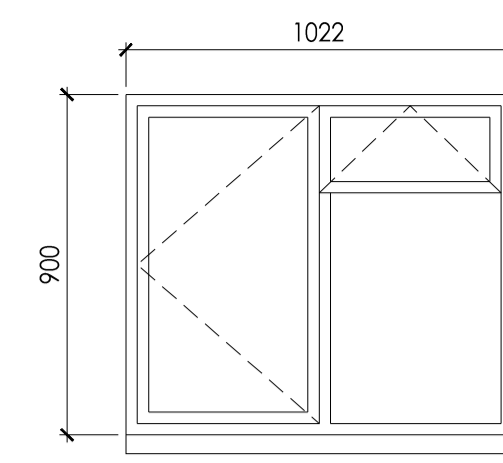
TYPE B
STEEL CRITICAL TOP HUNG
WB.03 WB.06 WB.09
WB.14 WB.16



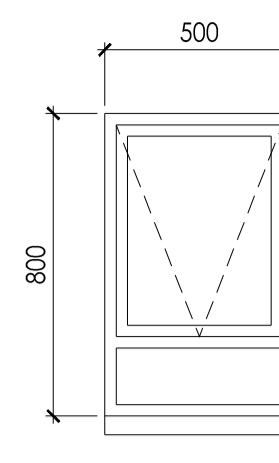
TYPE C
STEEL CRITICAL
BOTTOM HUNG
WB.04 WB.07
WB.10 WB.17



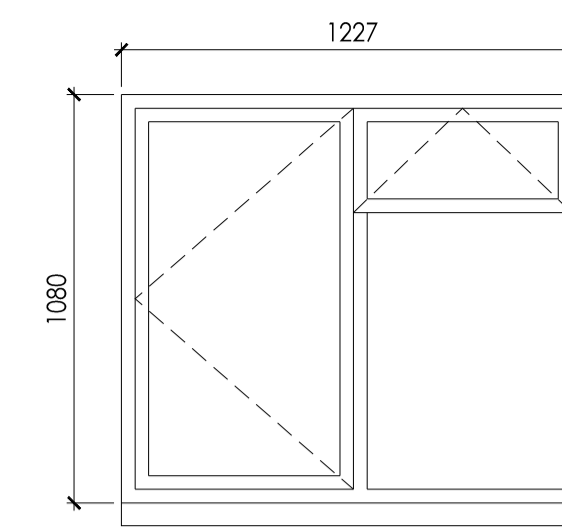
TYPE D
STEEL CRITICAL TOP HUNG & CASEMENT
WB.05 WB.08 WB.11 WB.18



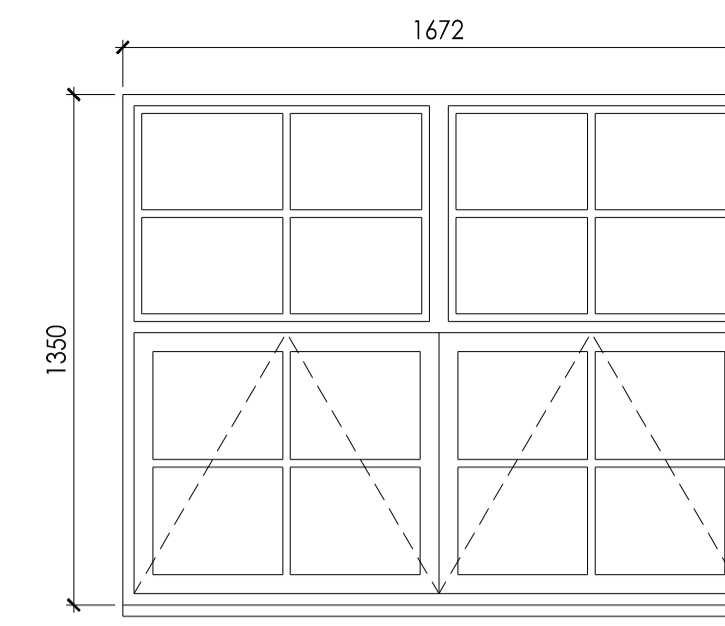
TYPE E
STEEL CRITICAL TOP HUNG & CASEMENT
WB.12 WB.20 WB.24 WB.26
WB.28



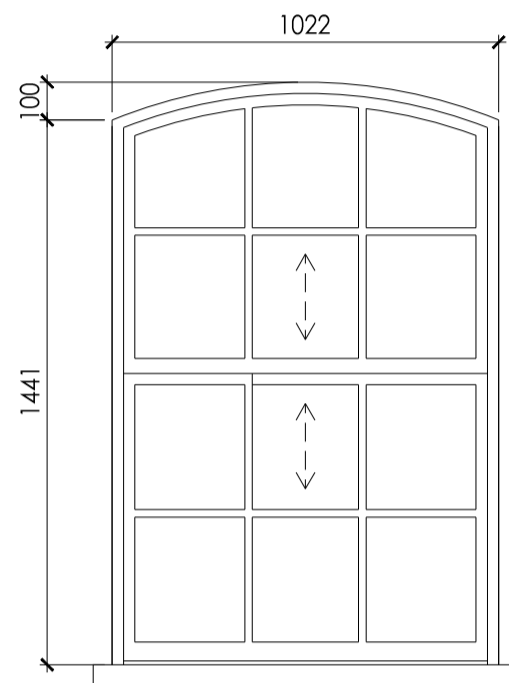
TYPE F
STEEL CRITICAL BOTTOM
HUNG
WB.13



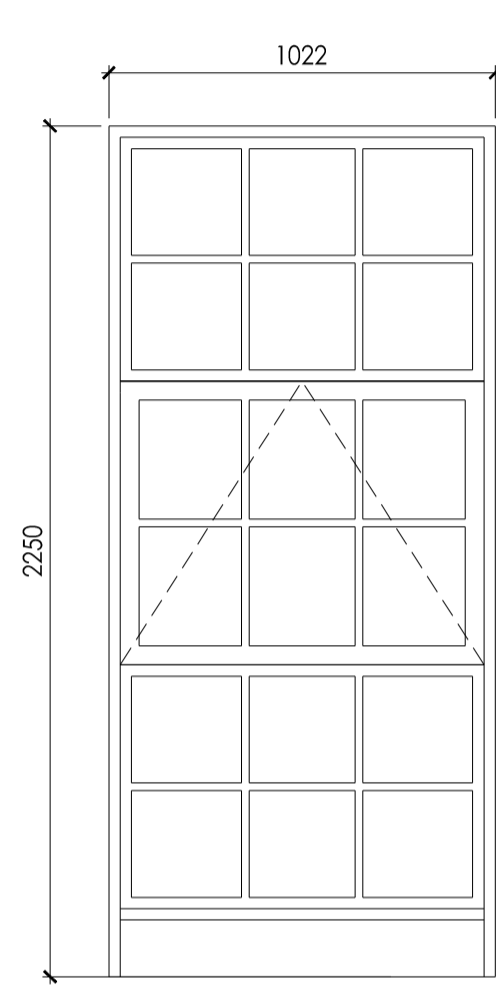
TYPE G
STEEL CRITICAL TOP HUNG & CASEMENT
WB.15



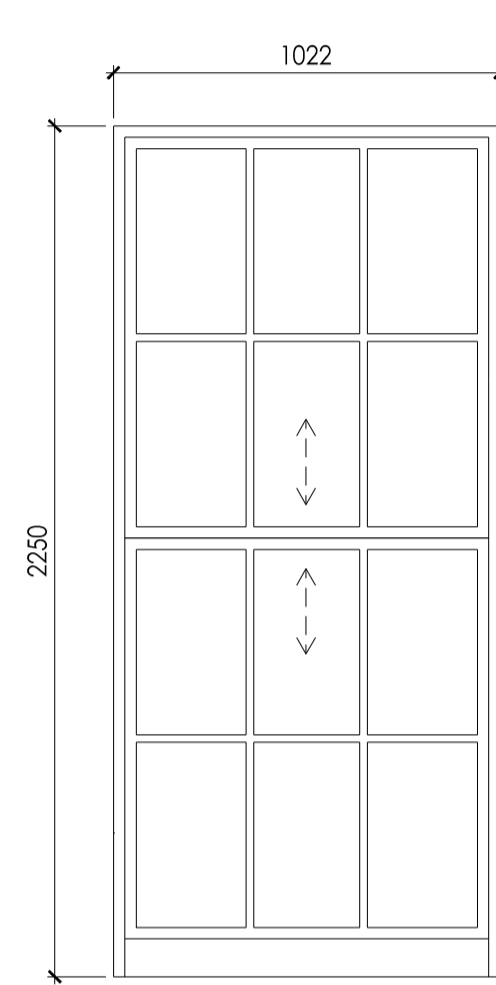
TYPE H
UPVC TOP HUNG
WG.01 WG.02



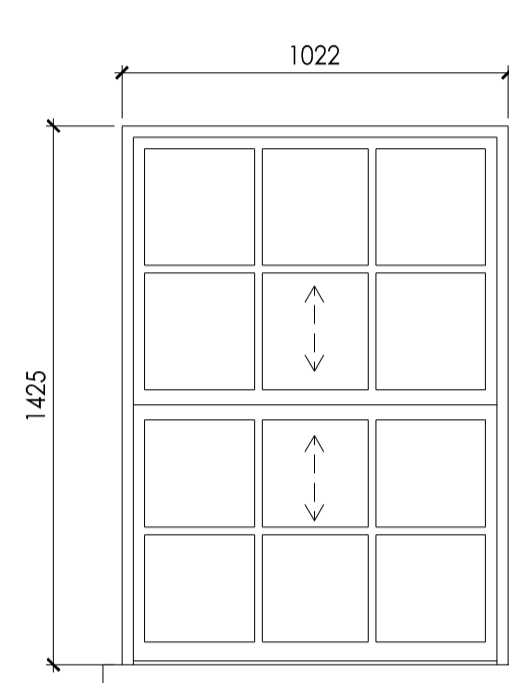
TYPE J
TIMBER SLIDING SASH
WG.04 WG.05 WG.06 WG.07
WG.08 WG.09 WG.10 WG.11
WG.12 WG.13 WG.14 WG.15



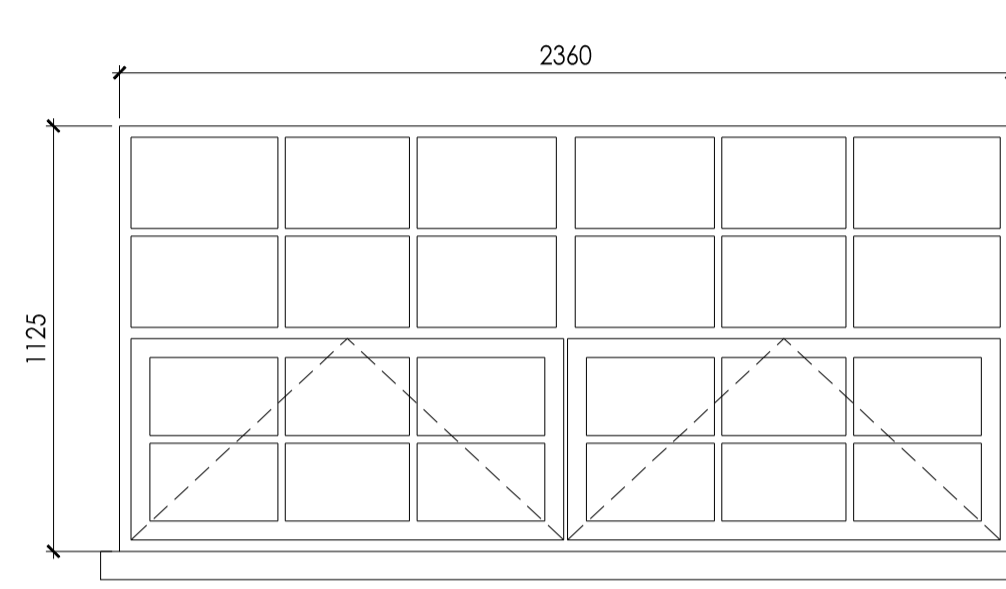
TYPE K
UPVC TOP HUNG
WF.01 WF.02



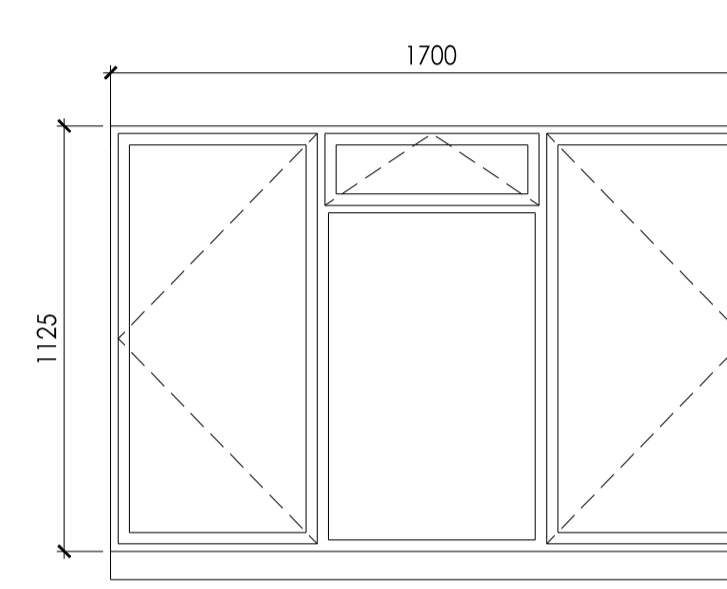
TYPE K1
TIMBER SLIDING SASH
WF.03 WF.04 WF.05 WF.06
WF.07 WF.08 WF.09 WF.10
WF.11 WF.12 WF.13 WF.14
WF.15 WF.16 WF.17 WF.18
WF.19 WF.20 WF.21 WF.22



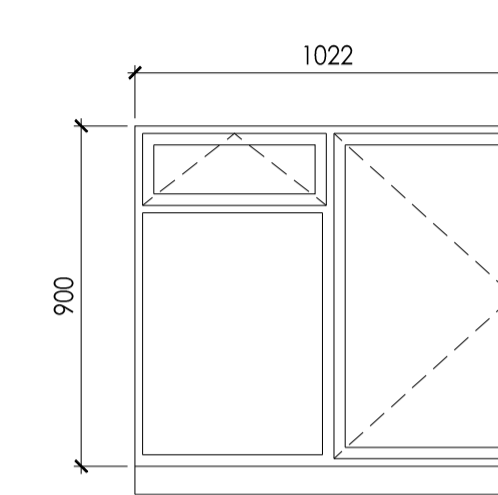
TYPE L
TIMBER SLIDING SASH
WS.03 WS.04 WS.05 WS.06
WS.07 WS.08 WS.09 WS.10
WS.11 WS.12 WS.13 WS.14
WS.15 WS.16 WS.17 WS.18
WS.19 WS.20 WS.21 WS.22
WS.29 WS.31 WS.32 WS.33
WS.35 WS.37 WS.39 WS.41
WS.43



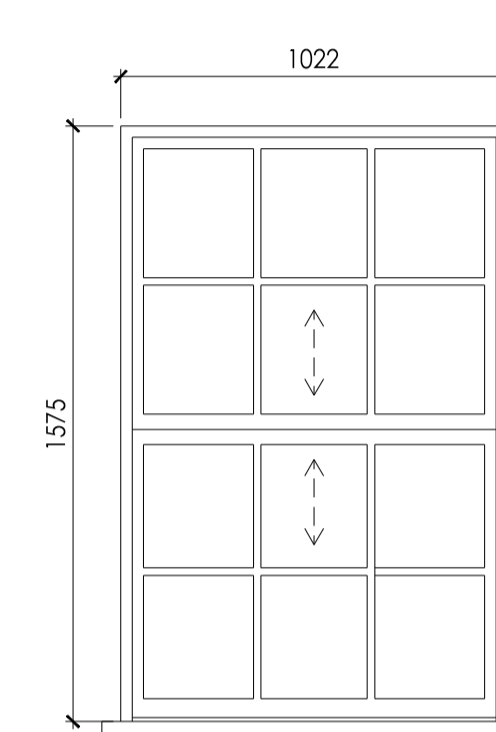
TYPE M
UPVC TOP HUNG
WF.23 WS.23



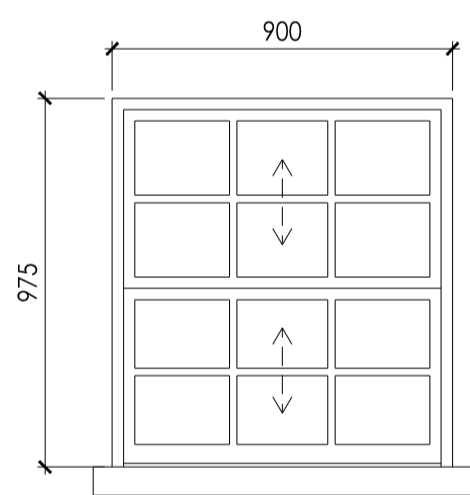
TYPE N
STEEL CRITICAL TOP HUNG & CASEMENT
WB.19 WB.21 WB.23 WB.25 WB.27



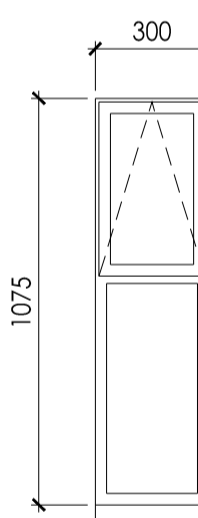
TYPE P
STEEL CRITICAL TOP HUNG & CASEMENT
WB.22



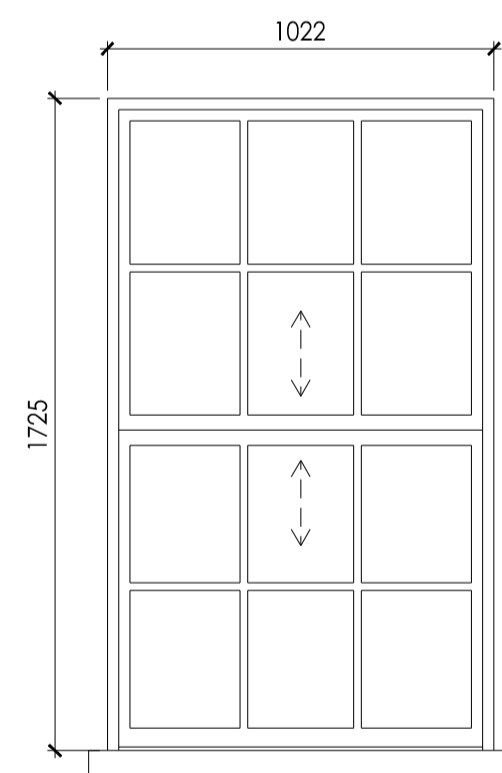
TYPE Q
TIMBER SLIDING SASH
WG.16 WG.17 WG.18 WG.19
WG.20 WG.21 WG.22 WG.23
WG.24 WG.25 WG.26 WG.27



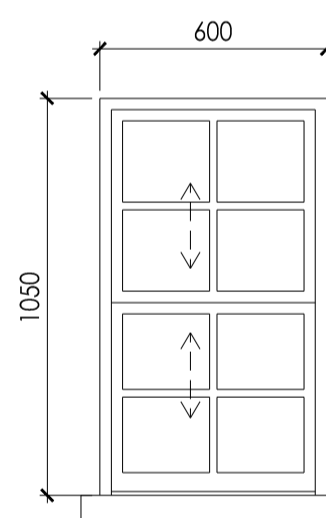
TYPE R
TIMBER SLIDING SASH
WF.24 WF.27 WF.36 WF.39
WF.42 WF.45 WF.48



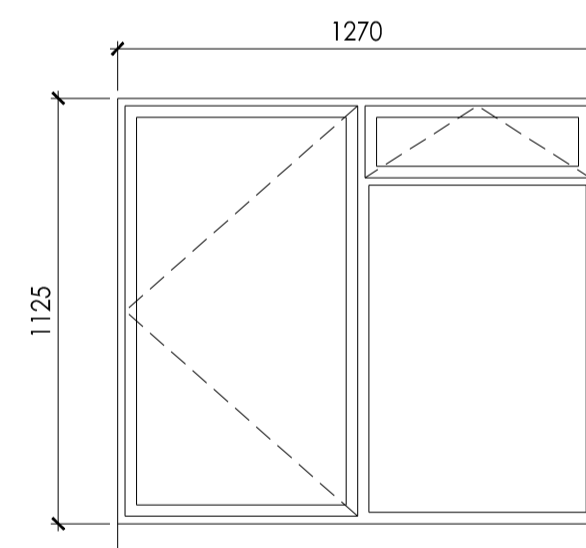
TYPE S
STEEL CRITICAL TOP
HUNG
WF.25 WF.28
WF.37 WF.40
WF.43 WF.46
WF.49



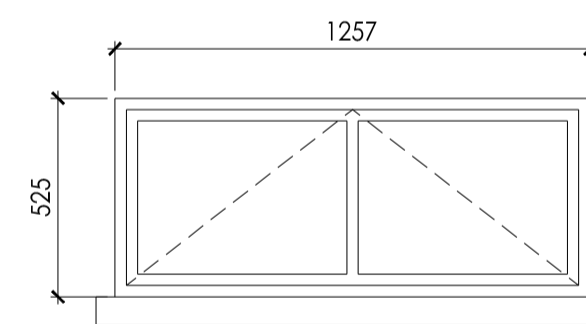
TYPE T
TIMBER SLIDING SASH
WF.26 WS.28 WF.29 WF.30
WF.31 WF.33 WF.34 WF.35
WF.38 WF.41 WF.44 WF.47
WF.50



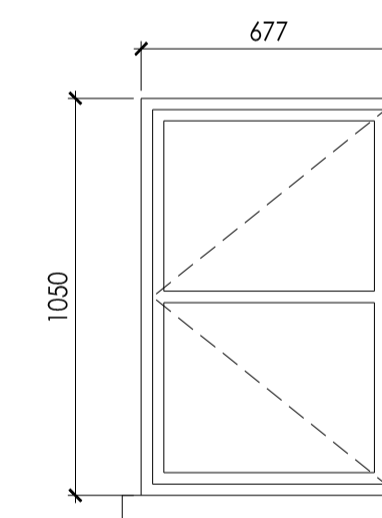
TYPE U
TIMBER SLIDING SASH
WS.24 WS.26 WS.33
WS.35 WS.37 WS.39
WS.41



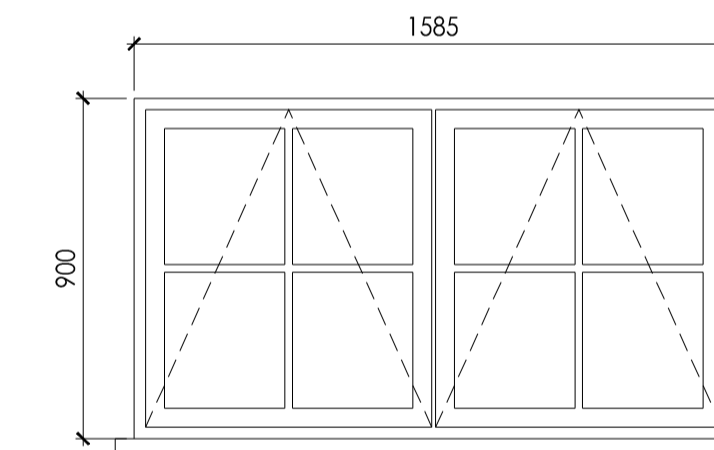
TYPE V
STEEL CRITICAL TOP HUNG & CASEMENT
WF.32 WS.30



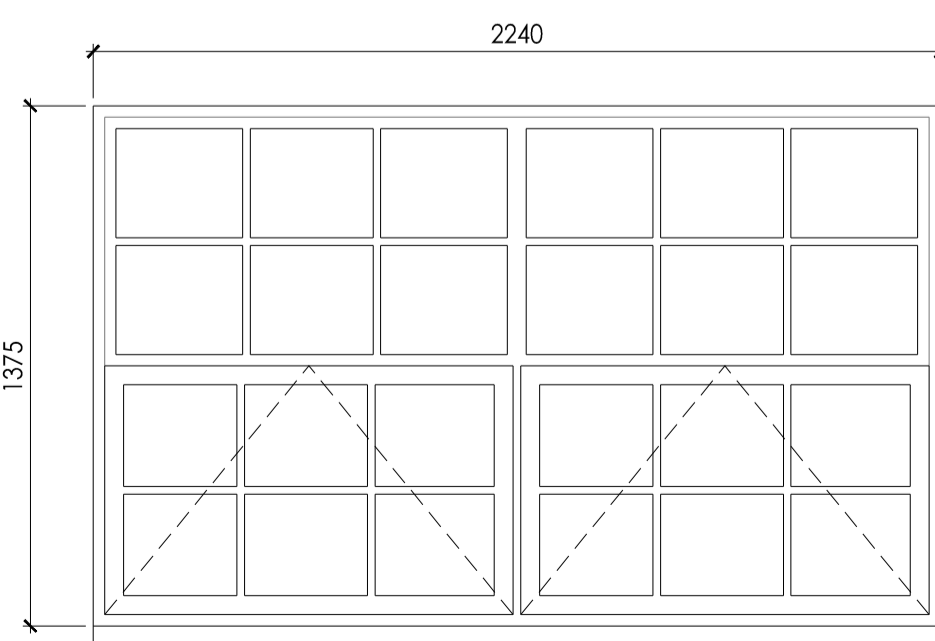
TYPE W
STEEL CRITICAL TOP HUNG
WS.44



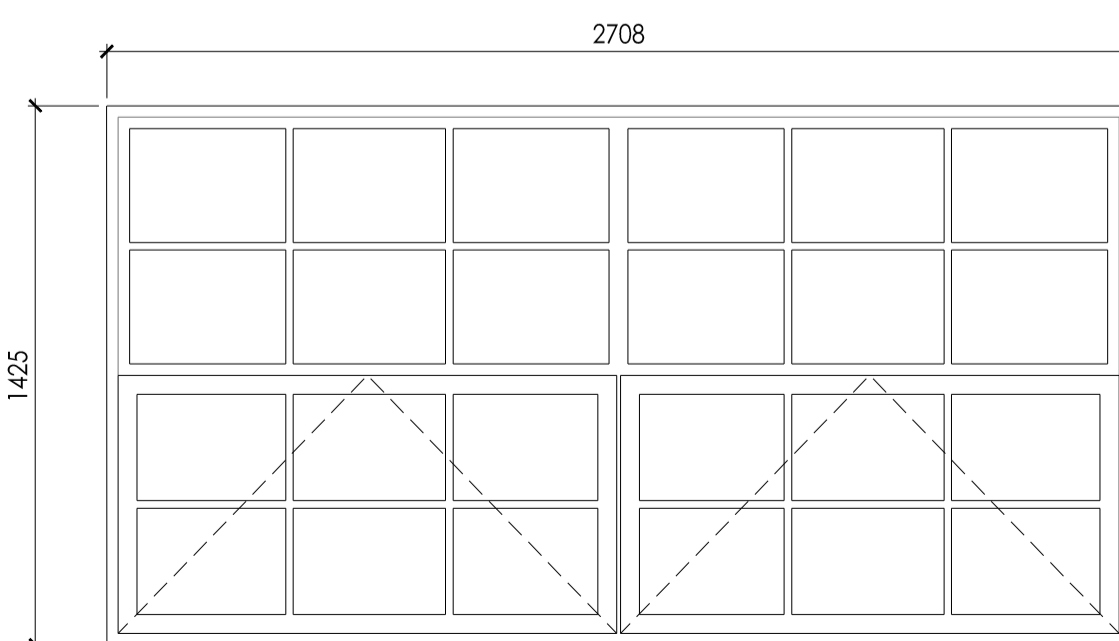
TYPE X
STEEL CRITICAL CASEMENT
WS.45



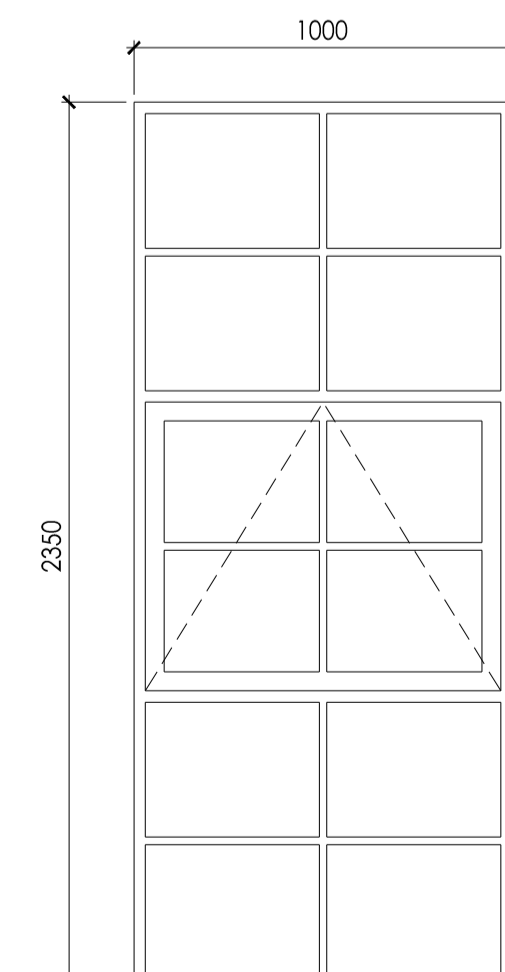
TYPE Y
UPVC TOP HUNG
WG.28



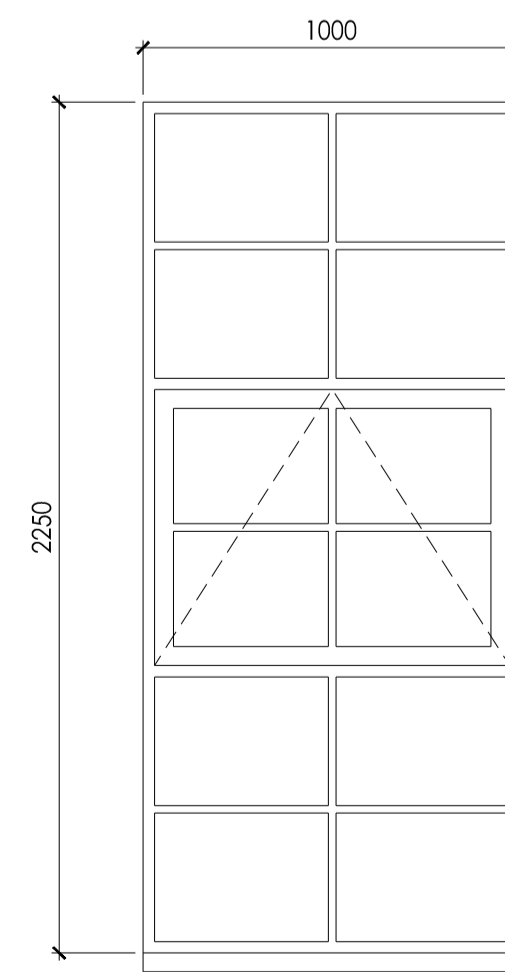
TYPE Z
UPVC TOP HUNG
WG.29



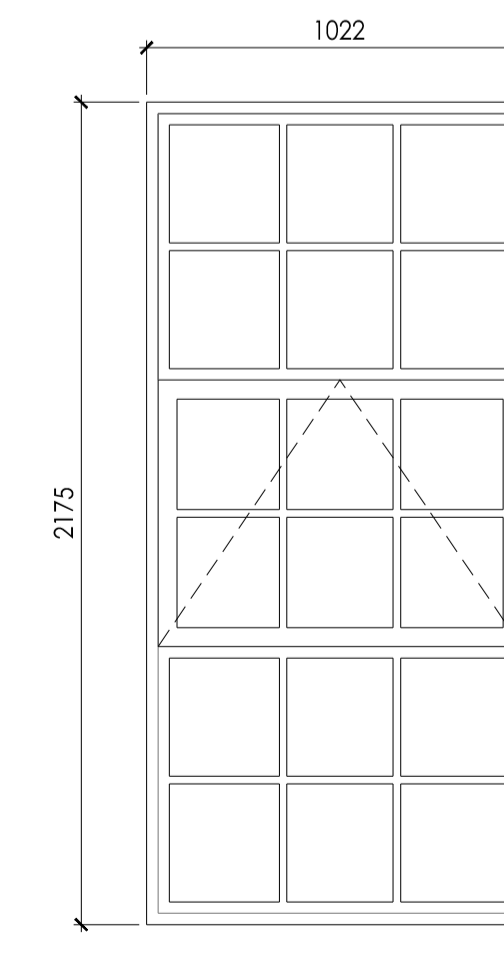
TYPE A1
UPVC TOP HUNG
WF.51 WS.45



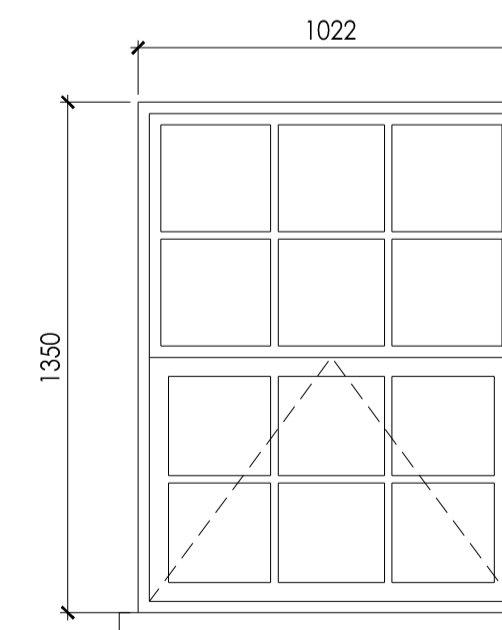
TYPE B1
UPVC TOP HUNG
WF.52



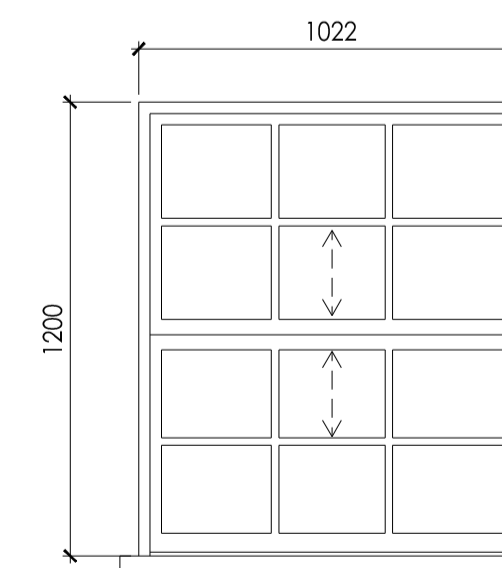
TYPE C1
UPVC TOP HUNG
WS.47



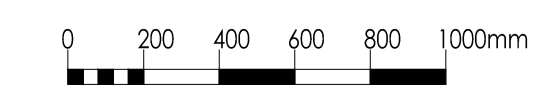
TYPE D1
UPVC TOP HUNG
WF.53



TYPE E1
UPVC TOP HUNG
WS.48



TYPE F1
TIMBER SLIDING SASH
WS.25 WS.27



Amendments

DO NOT SCALE FOR CONSTRUCTION



BUILDING SURVEYING
ARCHITECTURE
PROJECT MANAGEMENT
QUANTITY SURVEYING

HOLMBURY HOUSE
DORKING BUSINESS PARK
STATION ROAD DORKING
SURREY RH4 1HJ

T 01306 887070
F 01306 876716
admin@bpg.co.uk
www.bpg.co.uk

PROJECT

IRENE BARCLAY HOUSE

CLIENT

ORIGIN HOUSING

DATE
AUGUST 2014

DRAWN
LJ CHECKED
RM

SCALE
1:20 @ A1 FOR
PLANNING

TITLE
EXISTING WINDOW SCHEDULE

DRAWING NO.
3651 / PL02 REV
*