

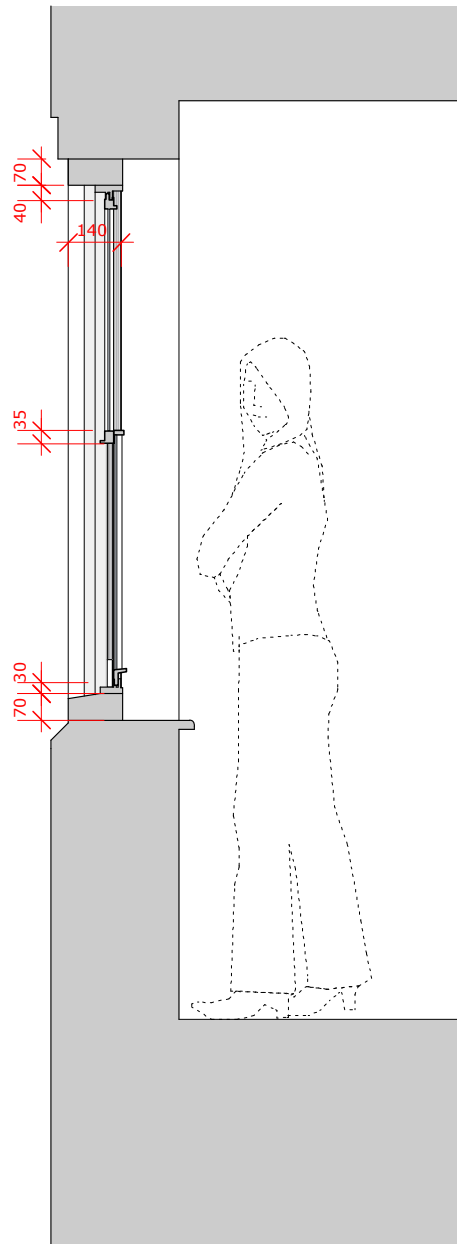
PLANNING ISSUE

Check all dimensions on site. Do not scale off drawings without prior consultation. Any discrepancies to be reported to architects before execution of relevant works. This drawing has been produced for Kernahans for the development of Straffan Lodge, 1-3 Belsize Grove, London, NW3 and for that application alone and is not intended for use by any other person or for any other purpose. Drawings remain copyright of Hayhurst and Co. and may not be reproduced without written consent or licence.

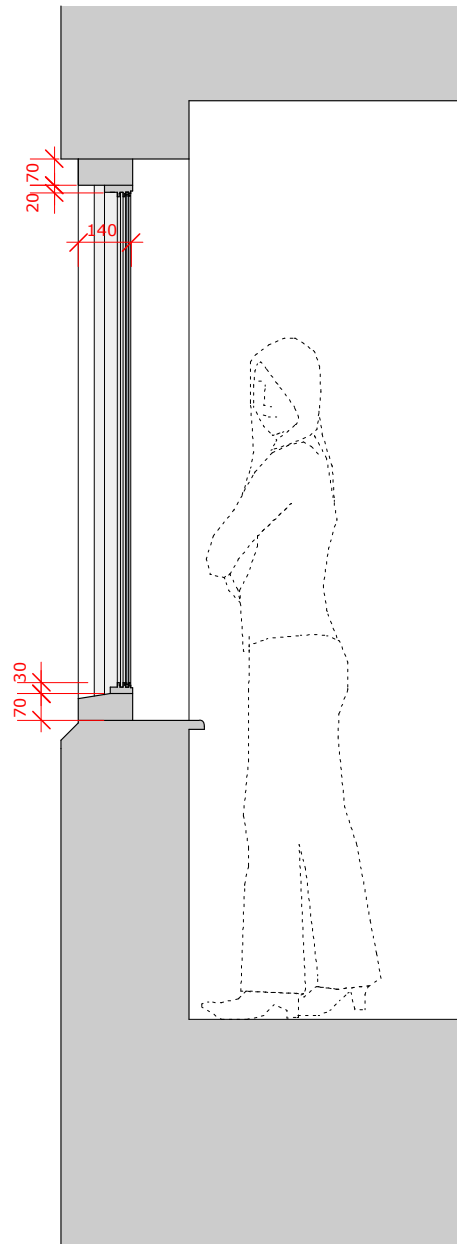
As Existing Windows

Timber and aluminium frame, single-glazed windows.

Vertical Sliding Window - As Existing



Horizontal Sliding Window - As Existing



Issue/Revision	Date	Rev
Project: Window Replacement Straffan Lodge, 1-3 Belsize Grove, London, NW3 4XE		
Hayhurst and Co.		
26 Fournier Street, London, E1 6QE T: (020) 7247 7028 F: (020) 7247 7029 E. mail@hayhurstand.co.uk www.hayhurstand.co.uk		
Subject:	Window Sections - As Existing	
Scale:	1:20	Date: 18.06.2014
Original Size:	A4	
Drawing No.:	165 A004	

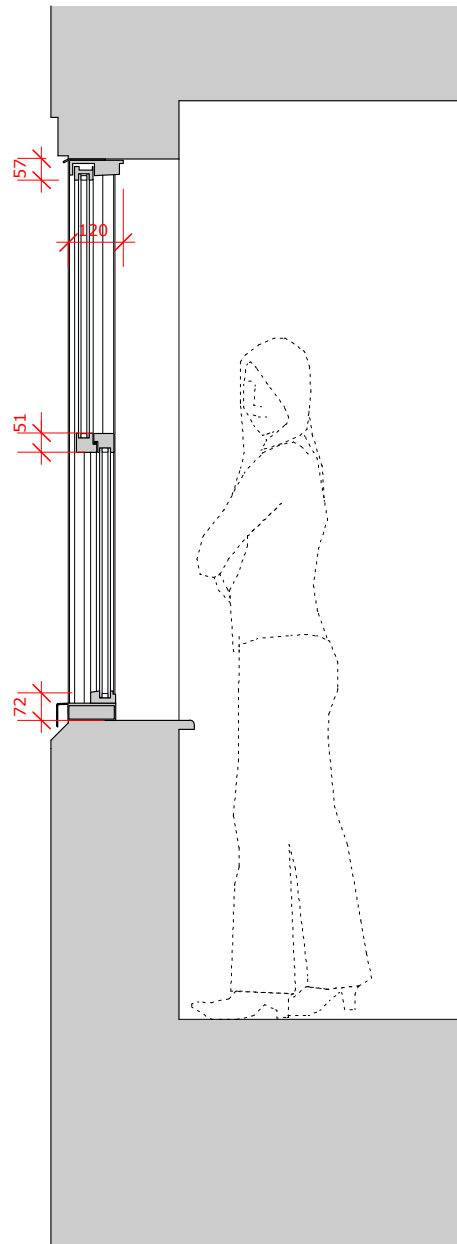
PLANNING ISSUE

Check all dimensions on site. Do not scale off drawings without prior consultation. Any discrepancies to be reported to architects before execution of relevant works. This drawing has been produced for Kernahans for the development of Straffan Lodge, 1-3 Belsize Grove, London, NW3 and for that application alone and is not intended for use by any other person or for any other purpose. Drawings remain copyright of Hayhurst and Co. and may not be reproduced without written consent or licence.

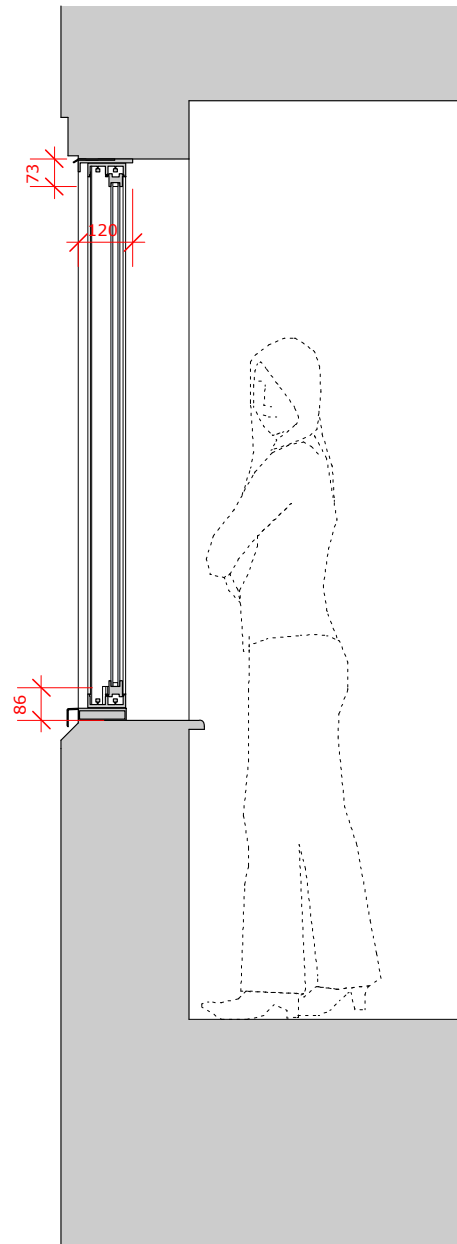
Proposed Windows

Double-glazed aluminium frame system. The fenestration pattern will match the existing, as will the horizontal and vertical sliding opening style. The external finish of the window frames will be a mid-brown colour.

Vertical Sliding Window - Proposed



Horizontal Sliding Window - Proposed



Issue/Revision Window Frame Dimensions Date 19/08/14 Rev R1

Project:

Window Replacement
Straffan Lodge, 1-3 Belsize Grove,
London, NW3 4XE

Hayhurst and Co.

26 Fournier Street, London, E1 6QE
T: (020) 7247 7028 F: (020) 7247 7029
E. mail@hayhurstand.co.uk www.hayhurstand.co.uk

Subject: Window Sections - Proposed

Scale: 1:20 Date: 18.06.2014

Original Size: A4

Drawing No.: **165 A104 R1**