

EXISTING FRONT ELEVATION  
(SCALE 1:50 AT A1)

EXISTING SECTION A-A  
(SCALE 1:50 AT A1)

FOR DISCUSSION  
PURPOSES ONLY

| Rev       | Date | Description | By |
|-----------|------|-------------|----|
| Revisions |      |             |    |

**Michael Jackson Consulting**  
204 BOSTON ROAD  
MANCHESTER, M20 3BN  
Tel: 0161 290 4104  
Fax: 0161 290 4405  
Chartered Structural Engineers

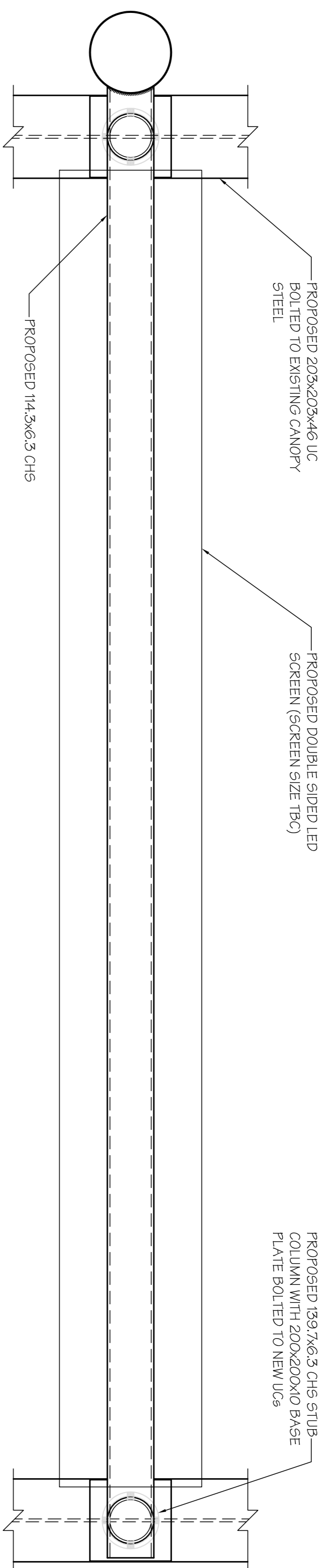
**Niederlander**

Site  
THE DOMINION  
THEATRE, LONDON

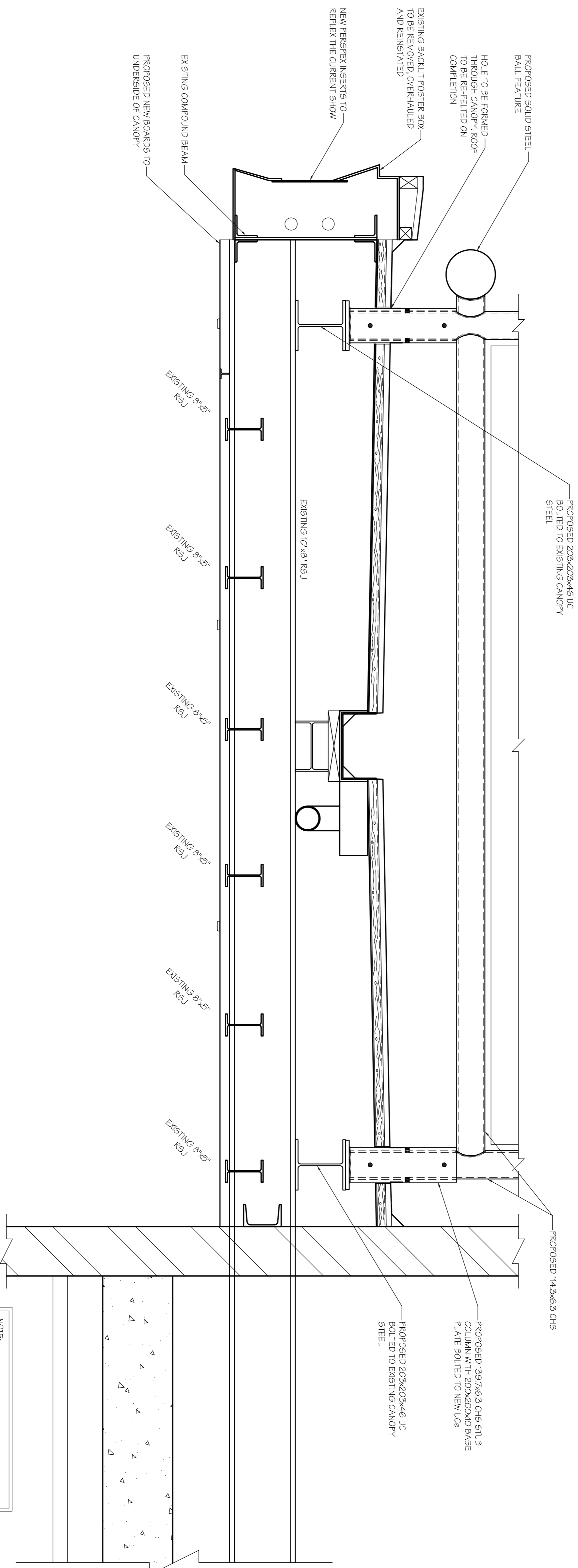
Project  
EXTERNAL FRONT  
ELEVATION WORKS

Drawing Title  
EXISTING ELEVATION  
AND SECTION

|          |             |       |         |        |
|----------|-------------|-------|---------|--------|
| Scale    | Date        | Drawn | Checked | Passed |
| A5 SHOWN | APR 14      | DS    |         |        |
| DRG. No. | 2243-03-002 |       |         |        |



PROPOSED PLAN ON NEW STEEL FOR LED SCREEN  
(SCALE 1:10 AT A1)



PROPOSED SECTION A-A THROUGH CANOPY  
(SCALE 1:10 AT A1)

NOTE:  
ALL WORKS ARE TO BE UNDERTAKEN FROM THE TOP OF THE CANOPY

NOTE:  
THE CONTRACTOR IS TO ENSURE THE WORKS DO NOT IMPAIR THE NORMAL OPERATION OF THE VENUE

NOTE:  
THE CONTRACTOR IS TO ALLOW FOR ALL STABILITY

FOR DISCUSSION  
PURPOSES ONLY

| Rev       | Date | Description | By |
|-----------|------|-------------|----|
| Revisions |      |             |    |
|           |      |             |    |

**Michael Jackson Consulting**  
Chartered Structural Engineers

204 BOSTON ROAD  
MANCHESTER, M20 9BN  
Tel: 0161 280 4404  
Fax: 0161 280 4405

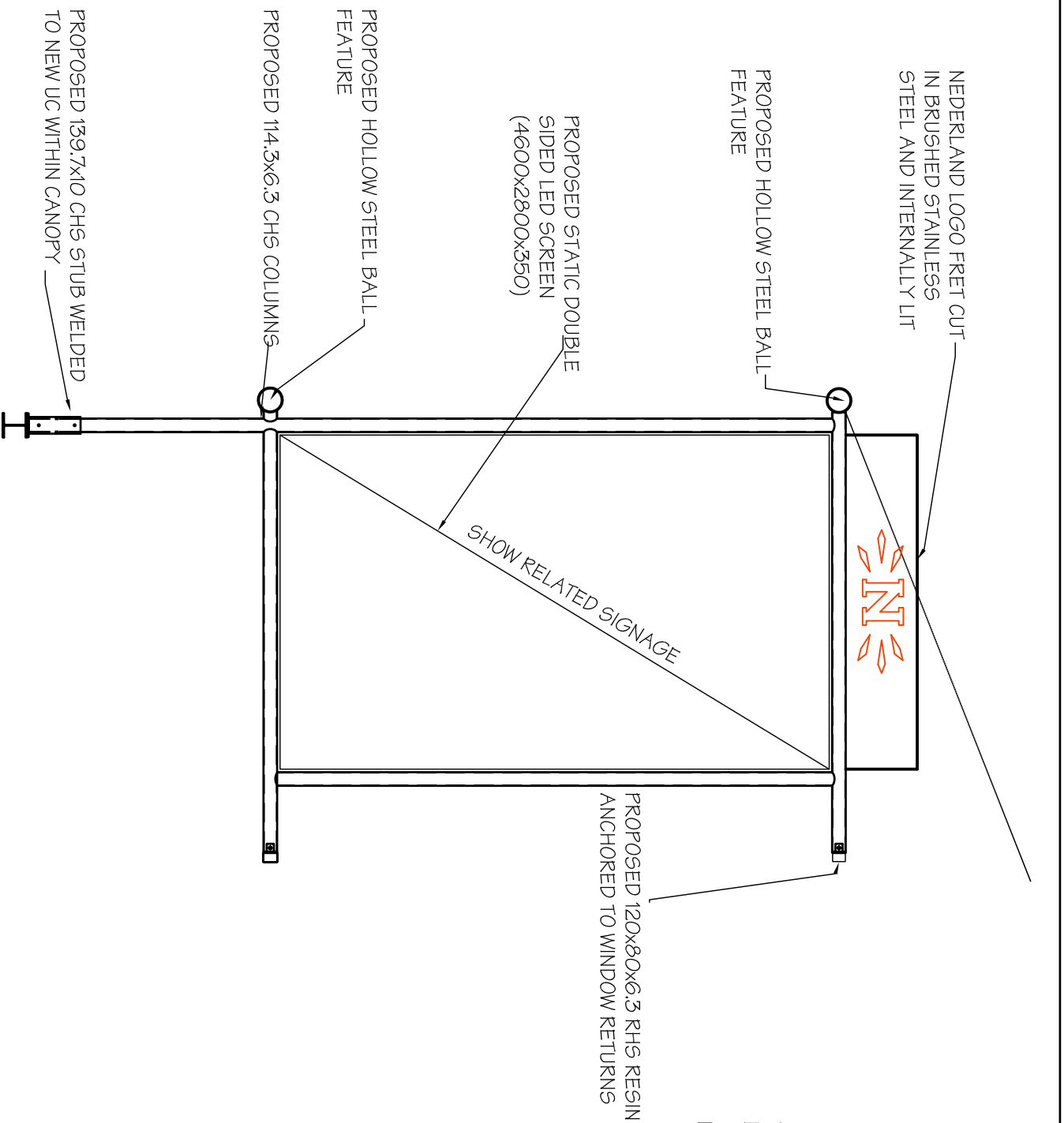
Client: **NEDERLANDER**

Site: **THE DOMINION THEATRE, LONDON**

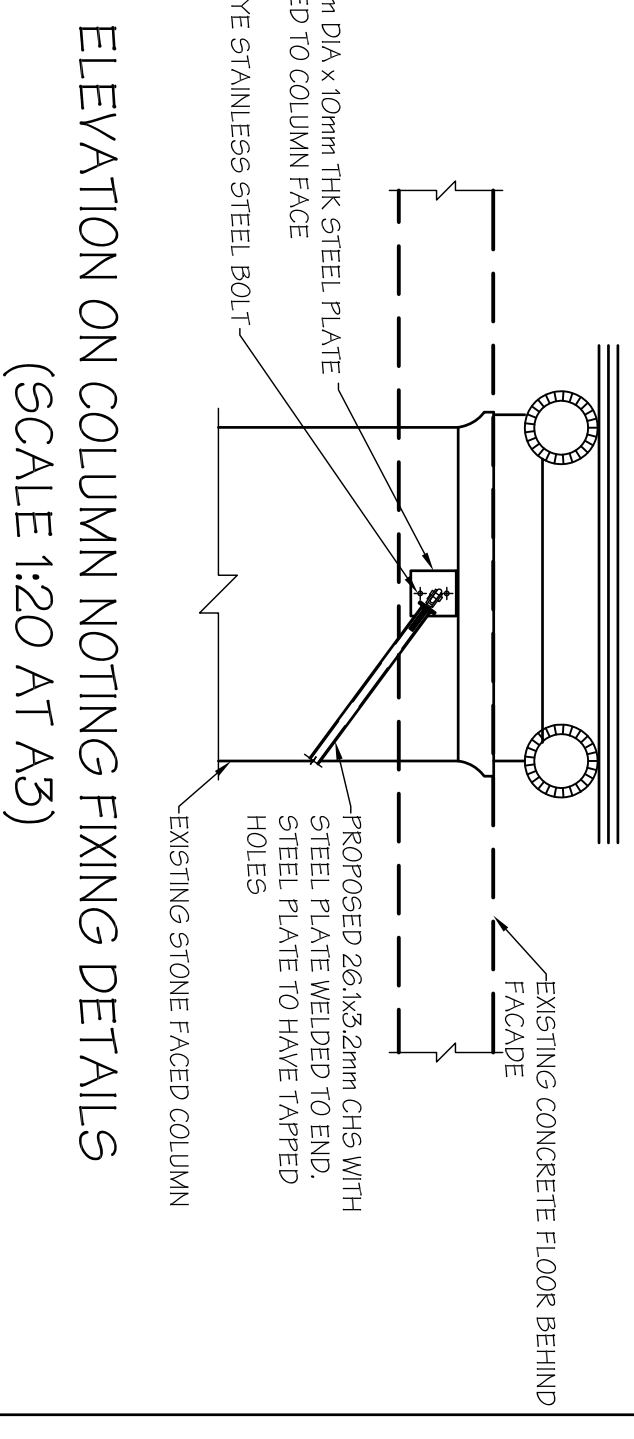
Project: **EXTERNAL FRONT ELEVATION WORKS**

Drawing Title: **PROPOSED SIGANGE AND FIXING DETAILS**

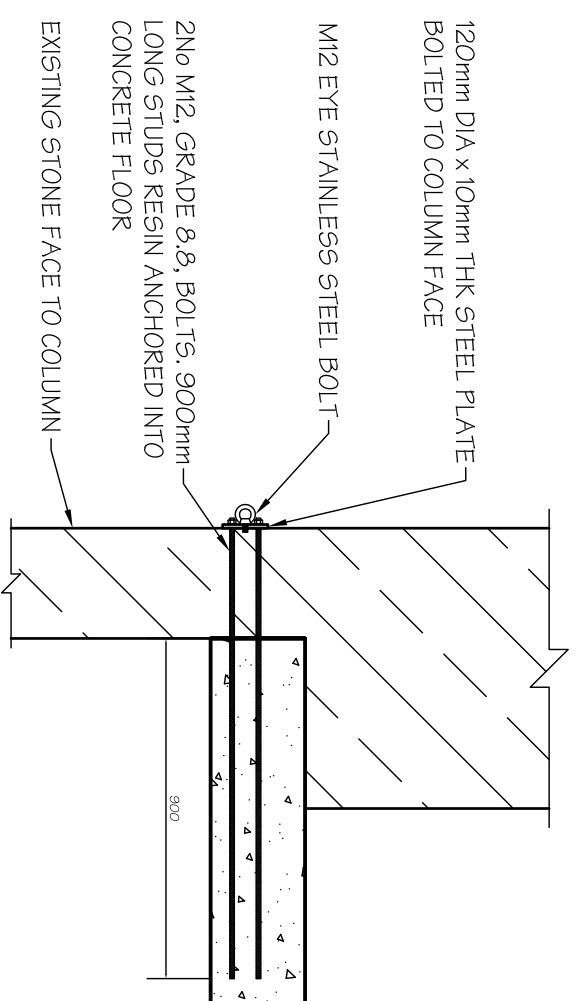
|                 |              |           |            |         |
|-----------------|--------------|-----------|------------|---------|
| Scale: AS SHOWN | Date: APR 14 | Drawn: DS | Checked: P | Passed: |
| DRG. No.:       | 2243-03-004  |           |            |         |



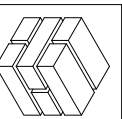
PROPOSED FRAME DETAILS FOR LED SCREENS  
(SCALE 1:50 AT A3)



TYPICAL SECTION THROUGH FIXING DETAIL  
(SCALE 1:20 AT A3)



THIS DRAWING AND THE COMPUTER FILE OF THIS DRAWING ARE COPYRIGHT. THE COPYRIGHT BELONGS TO MICHAEL JACKSON CONSULTING ENGINEERS LIMITED (MJCE LIMITED). THIS DRAWING MAY THEREFORE, NOT BE REPRODUCED IN ANY FORMAT WITHOUT THE WRITTEN CONSENT OF MJCE LIMITED AND THE COMPUTER FILE MAY NOT BE TRANSFERRED WITHOUT THE WRITTEN CONSENT OF MJCE LIMITED.



**Michael Jackson Consulting**  
Chartered Structural Engineers

204, BOLTON ROAD  
WORSLEY, WALKDEN  
MANCHESTER, M28 3BN  
Tel: 0161 790 4404  
Fax: 0161 790 4405

Element of Structure

FRAME WORK TO NEW LED SCREENS

**SKETCH**

Contract No. 2243-03D

Prepared DS Date 15/05/14

Sketch Sheet No. 006

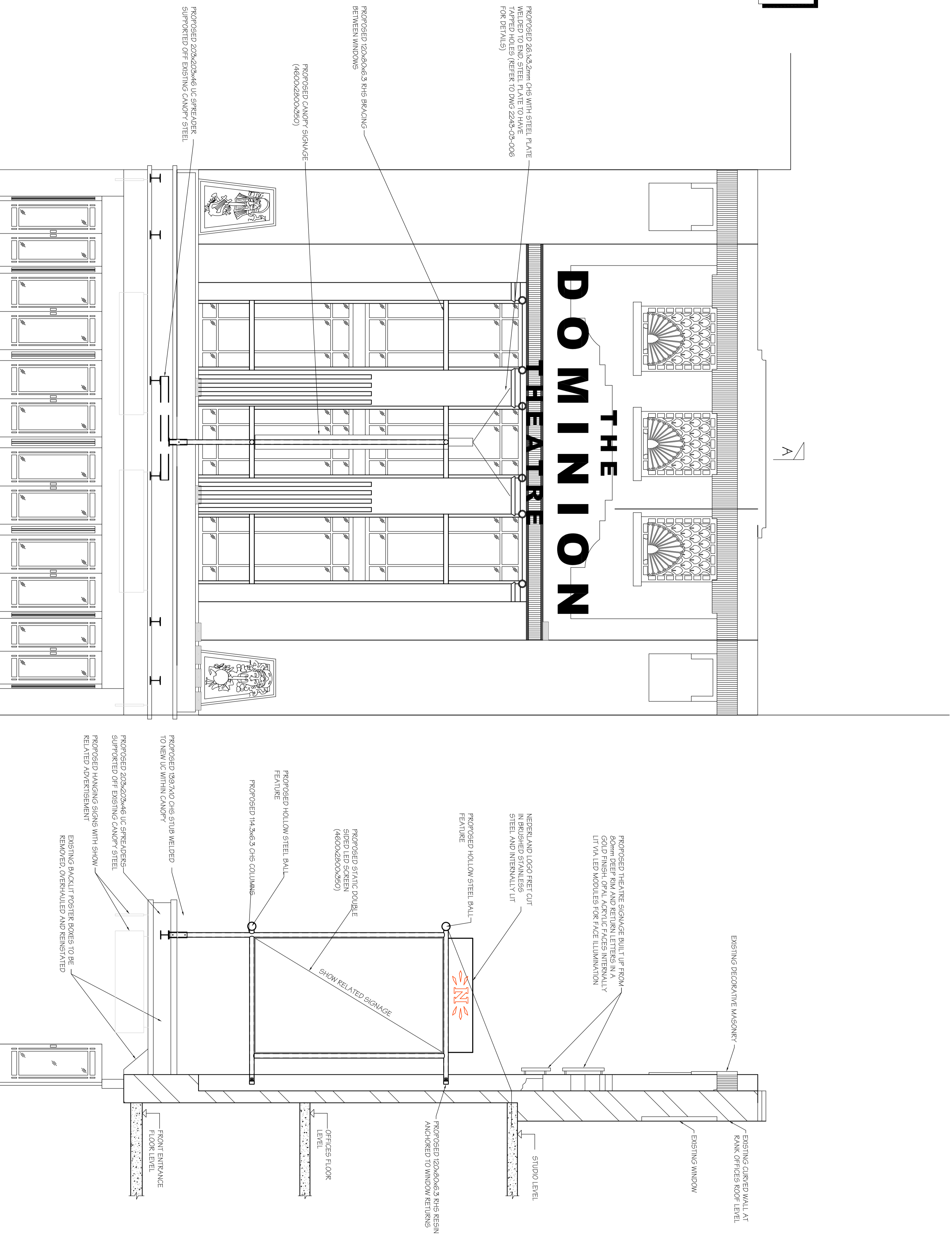
Checked Date

Revision

Contract

DOMINION THEATRE, WE WILL ROCK YOU GET-OUT

NOTE:  
THE LED SCREEN SIZE IS TO BE  
CONFIRMED BY THE MANUFACTURERS.  
THE SCREEN SHOWN IS THE MAXIMUM  
SIZE POSSIBLE TO FIT ON THE CANOPY  
MEASURING 9260x2029mm.



| Rev. | Date     | Description             | By  |
|------|----------|-------------------------|-----|
| C    | 16/07/14 | LED SCREEN MOVED        | MA5 |
| B    | 28/06/14 | LED SCREEN CLIENT SIZE  | MJ  |
| A    | 20/06/14 | LED SCREEN SIZE AMENDED | DS  |

Revisions

**Michael Jackson Consulting**  
204 BOLTON ROAD  
MANCHESTER, M28 3HN  
Tel: 0161 720 4404  
Fax: 0161 720 4405

Client  
**NEBERLANDER**

Site  
**THE DOMINION THEATRE, LONDON**

Project  
**EXTERNAL FRONT ELEVATION WORKS**

Drawing Title  
**PROPOSED ELEVATION AND SECTION**

| Scale    | Note   | Drawn | Checked | Issued |
|----------|--------|-------|---------|--------|
| AS SHOWN | APR 14 | MA5   |         |        |

DRG. No. **2243-03-003 C**