

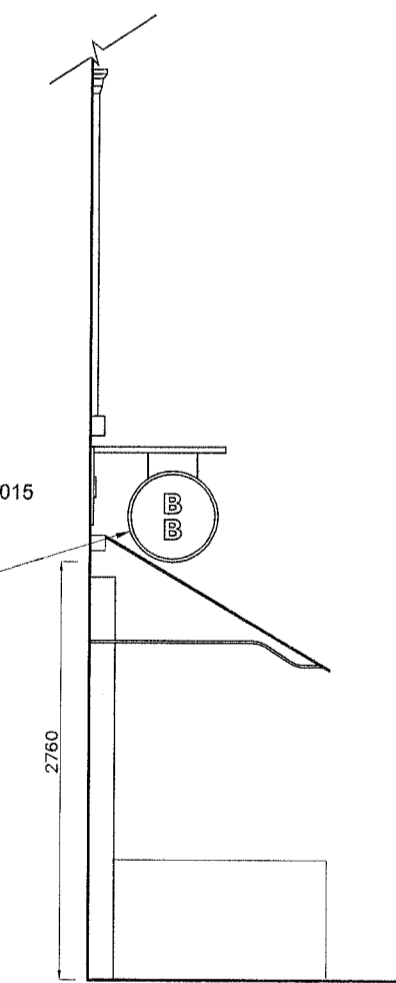
Ground Floor Plan



Front Elevation

SIGN 1  
FASCIA SIGN PIN FIXED  
ONTO BACK FASCIA BOARD.  
INDIVIDUAL 3D ALUMINIUM LETTERS  
WITH ANTIQUE ZINC FINISH.  
BACK FASCIA BOARD PAINTED RAL 1015

SIGN 2  
PROJECTING HANGING SIGN.  
ALUMINIUM METAL CONSTRUCTION  
WITH ANTIQUE ZINC FINISH AND  
PROJECTING ILLUMINATION  
FROM ABOVE



Section AA



REVISION	DATE	REVISION
D	15.08.14	Revise signs

PROJECT  
BRASSERIE BLANC  
8, CHARLOTTE STREET  
LONDON W1T 2LS

DRAWING TITLE  
PROPOSED GROUND FLOOR PLAN,  
FRONT AND SIDE ELEVATIONS

SCALE	DATE
1:50@A1 1:100@A3	14/05/13

DRAWING NUMBER	REVISION
1493/82	D