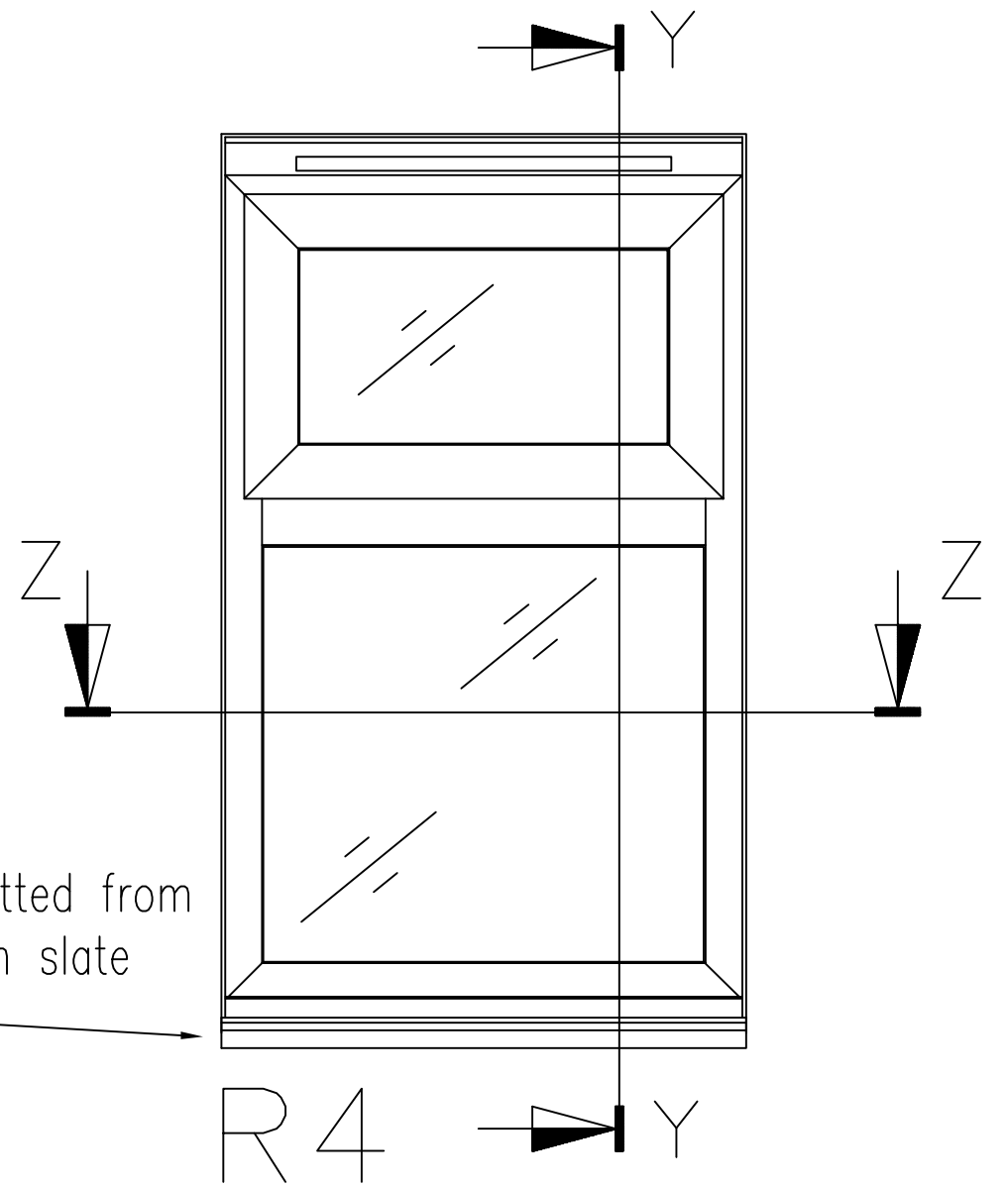


Stone cill omitted from rear window in slate hung wall



REVISIONS	DATE
<b>Architectural Design &amp; Planning</b> 32 Grange Road Plymouth PL7 2HY t: 01752 341696 m: 07973136876	
<b>THE DESIGN WORKS</b>	
TITLE WINDOW ELEVATIONS - ( 4 of 4 )	
ADDRESS 120 KINGSGATE ROAD LONDON NW6 2AE	
CLIENT COBSTAR	
SCALE 1:10	DATE AUGUST 2014
DRAWING No. 130518/PC/04	REV.