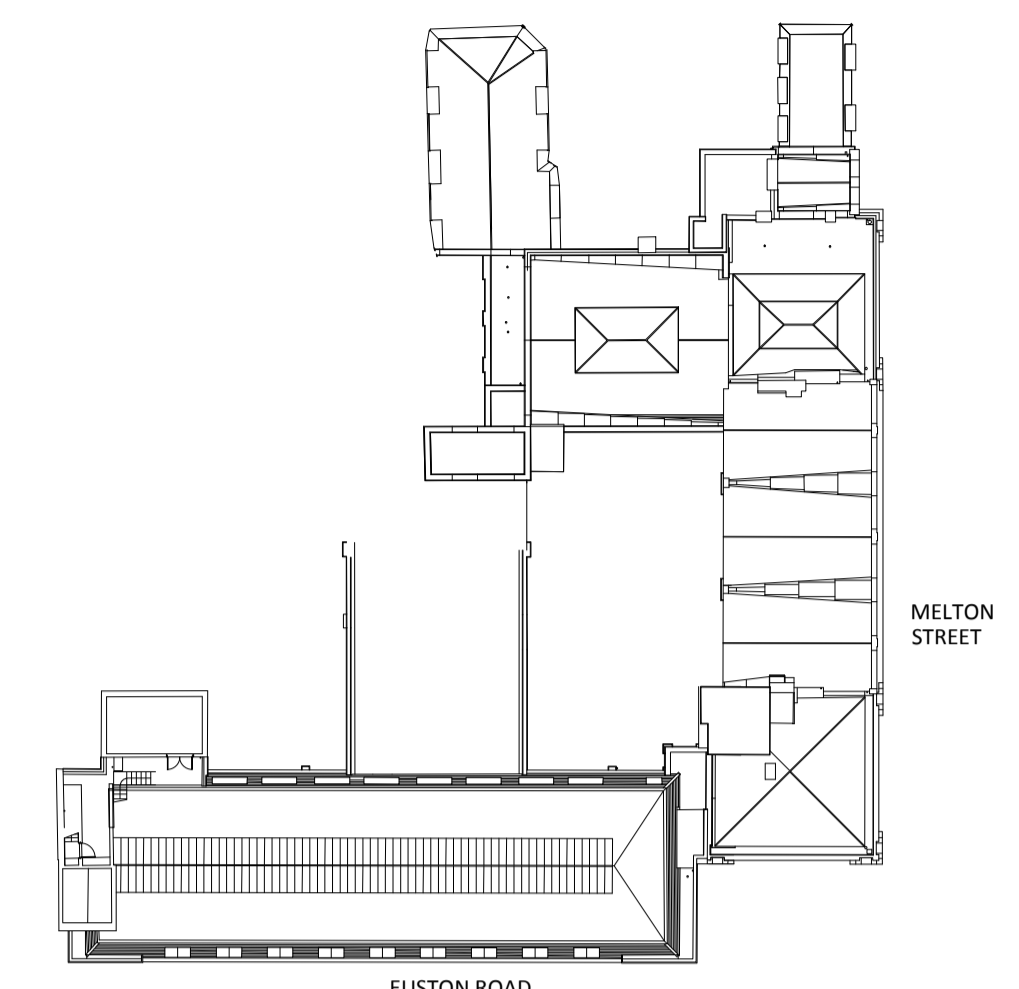


NOTES
1. DO NOT SCALE THIS DRAWING.



30 EUSTON SQUARE
KEY PLAN

NTS AT A1



30 EUSTON SQUARE
EXISTING MELTON STREET ELEVATION

1:100 AT A1

REV	AMENDMENT	DATE

STATUS
PLANNING

CLIENT
ROYAL COLLEGE OF GENERAL PRACTITIONERS

PROJECT
30 EUSTON SQUARE
LONDON
NW1 2FB

TITLE
EXISTING ELEVATION
MELTON STREET

SCALE
1:100 @ A1

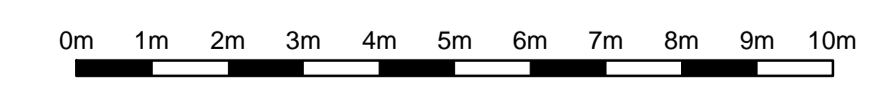
DATE
AUG 2014

JOB No.
-

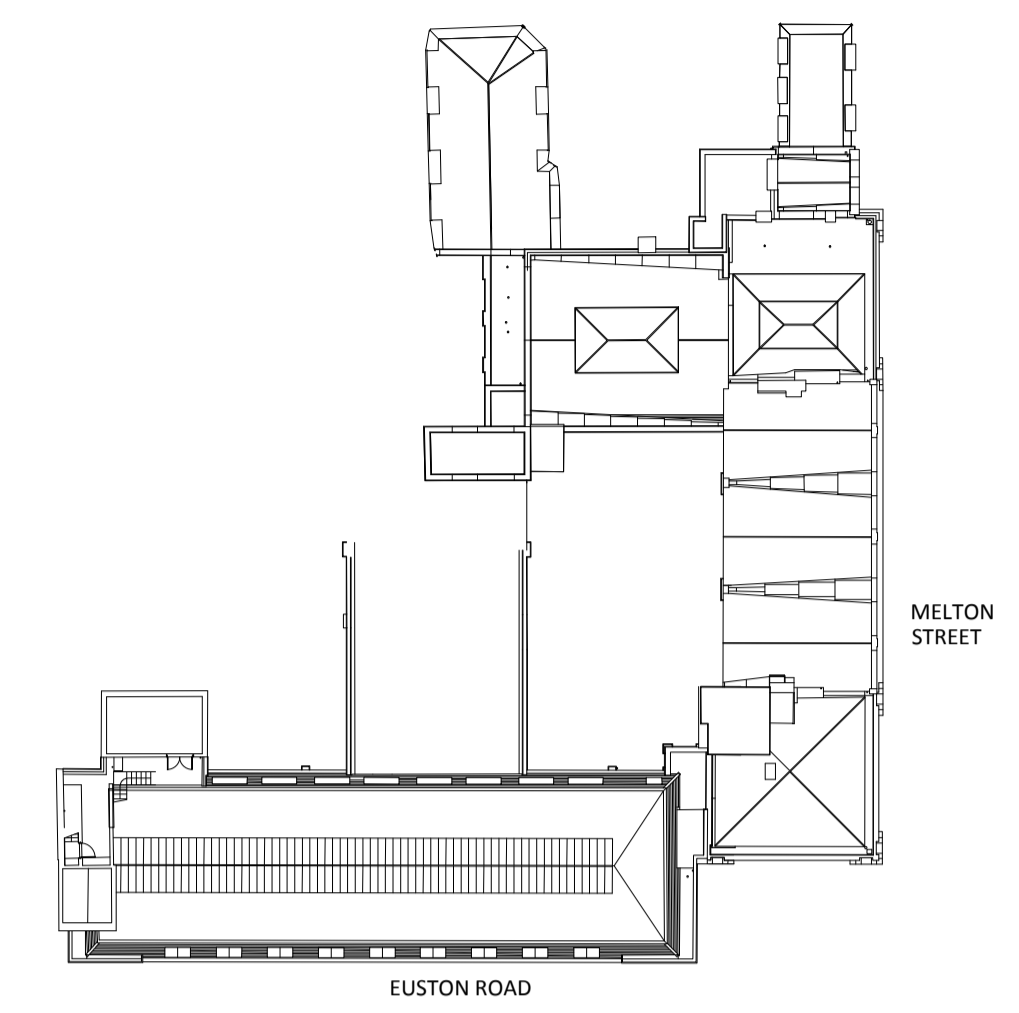
DRAWN
DDS

DRG No.
RCGP_002

REV.
-



NOTES
1. DO NOT SCALE THIS DRAWING.



30 EUSTON SQUARE
KEY PLAN
NTS AT A1



4 No. MESH PVC BANNER FITTED TO ALUMINIUM FRAMES FITTED WITHIN RECESS OF WINDOW
REFER TO DRAWING RCGP_005 FOR DETAILS

30 EUSTON SQUARE
PROPOSED EUSTON ROAD ELEVATION
1:100 AT A1

MELTON STREET

REV	AMENDMENT	DATE

STATUS
PLANNING

CLIENT
ROYAL COLLEGE OF GENERAL PRACTITIONERS

PROJECT
30 EUSTON SQUARE
LONDON
NW1 2FB

TITLE
PROPOSED ELEVATION
EUSTON ROAD

SCALE
1:100 @ A1

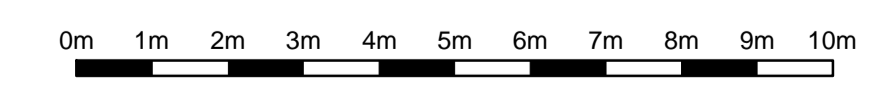
DATE
AUG 2014

JOB No.
-

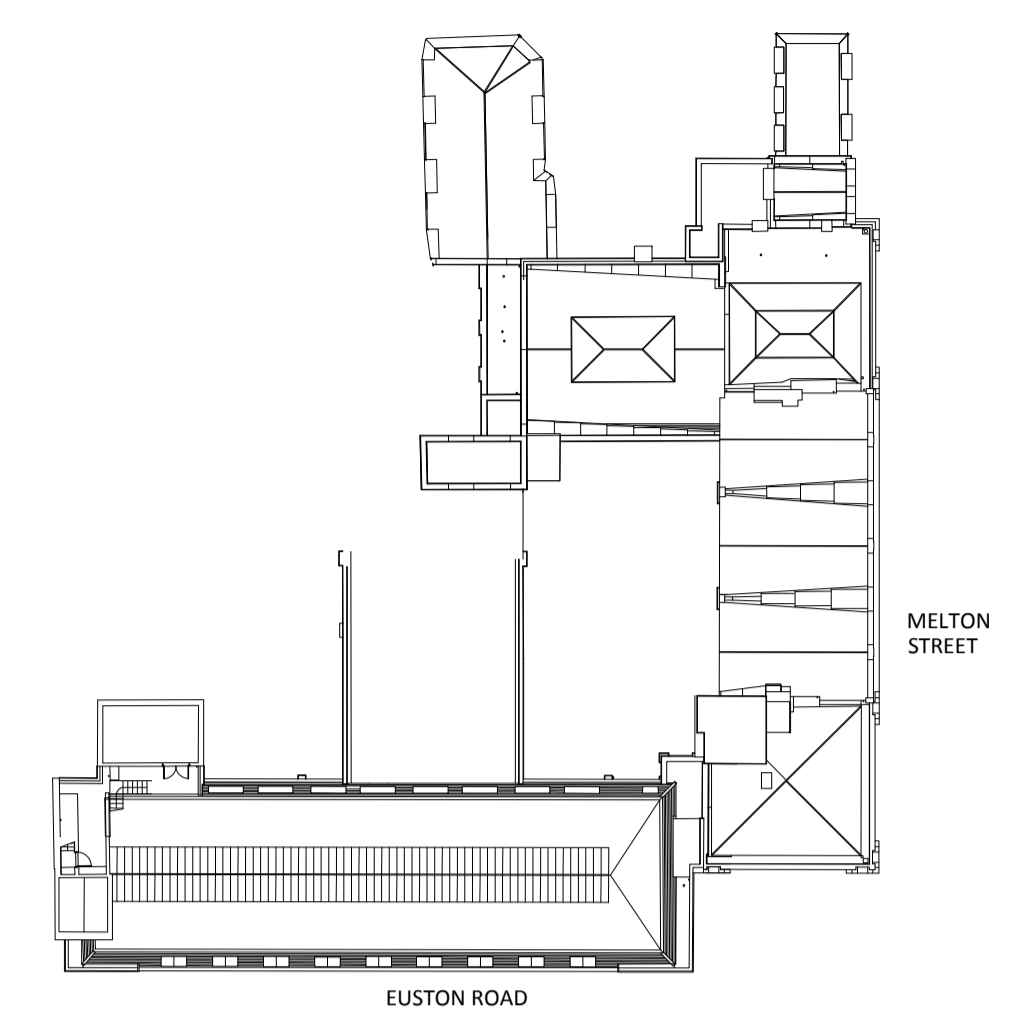
DRAWN
DDS

DRG No.
RCGP_003

REV.
-



NOTES
1. DO NOT SCALE THIS DRAWING.



30 EUSTON SQUARE
KEY PLAN
NTS AT A1



30 EUSTON SQUARE
PROPOSED MELTON STREET ELEVATION
1:100 AT A1

DROP BANNER PROTRUDING
AT 90 DEGREES TO BUILDING
REFER TO DRAWING
RCGP_005 FOR DETAILS

DROP BANNER PROTRUDING
AT 90 DEGREES TO BUILDING

DROP BANNER PROTRUDING
AT 90 DEGREES TO BUILDING

REV	AMENDMENT	DATE

STATUS
PLANNING

CLIENT
ROYAL COLLEGE OF GENERAL PRACTITIONERS

PROJECT
30 EUSTON SQUARE
LONDON
NW1 2FB

TITLE
PROPOSED ELEVATION
MELTON STREET

SCALE
1:100 @ A1

DATE
AUG 2014

JOB No.
-

DRAWN
DDS

DRG No.
RCGP_004

REV.
-

