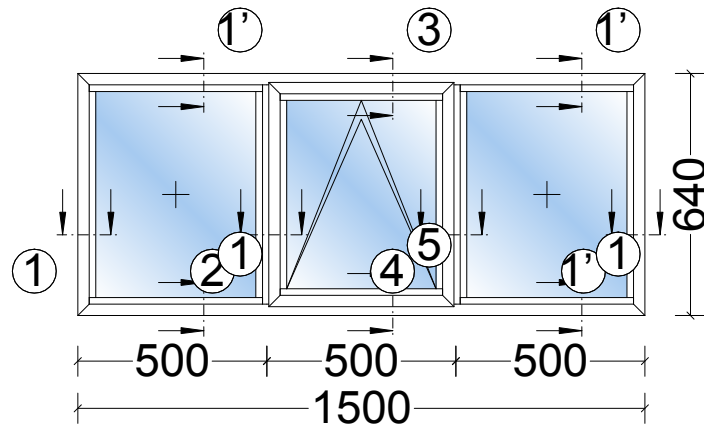

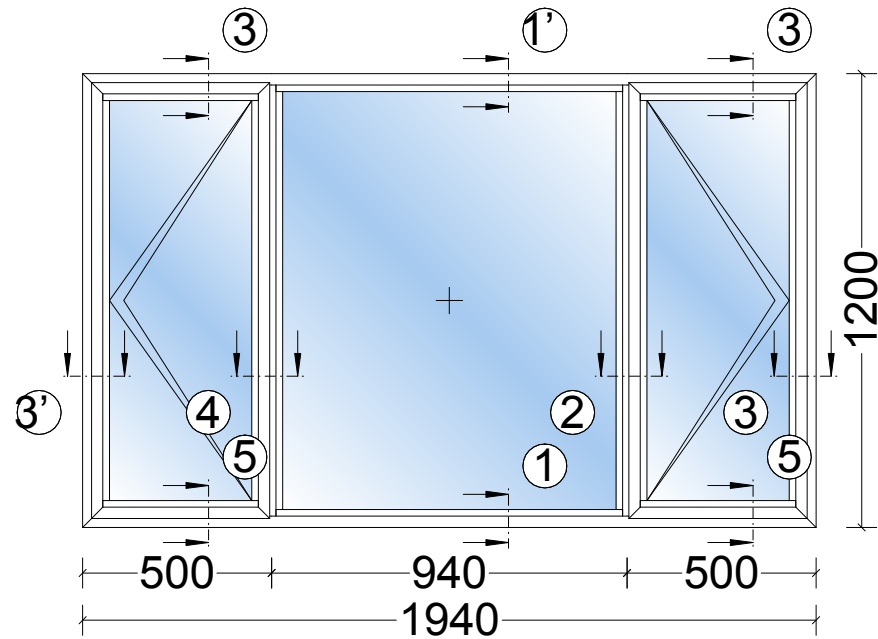



Pos. Lounge, Quantity: 2
 S/E Visible
 Colour: W White Paint
 Job: Springfield Court
 System: SBS CROWN Square (Vents Only)
 Exterior View



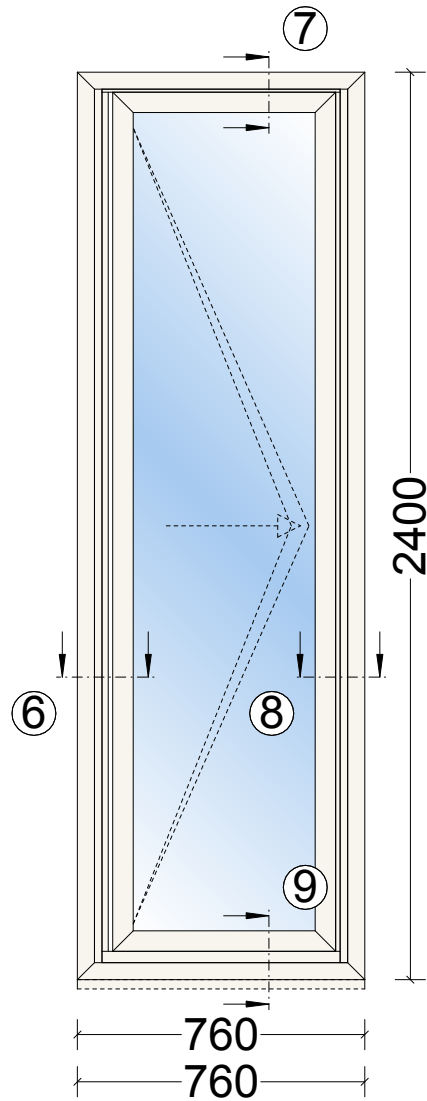
 <p>JK Windows Established 1985</p>	<p>BINGLEY, THE COMMON, DONKEY LANE, WEST DRAYTON. UB7 7HQ TEL: 01895 439199 FAX: 01895 444199</p>
<p>DATE 29.07.2014</p>	
<p>DRAWING No. 1</p>	<p>SCALE 1 : 20</p>


Pos. Bedroom 3., Quantity: 10
 R/E Visible
 Colour: W White Paint
 Job: Springfield Court
 System: SBS CROWN Square (Vents Only)
 Exterior View



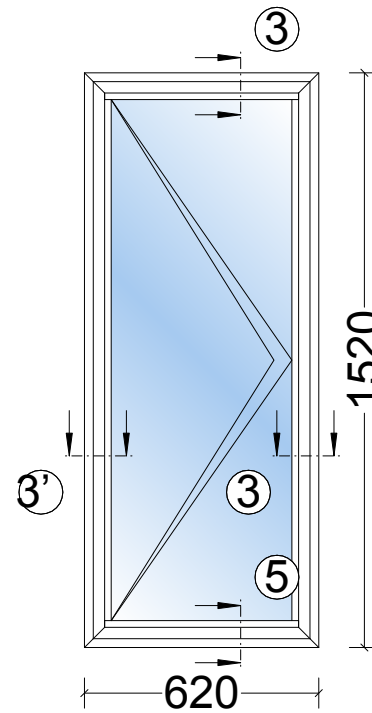
 <p>JK Windows Established 1985</p>	BINGLEY, THE COMMON, DONKEY LANE, WEST DRAYTON. UB7 7HQ TEL: 01895 439199 FAX: 01895 444199	
	DATE 29.07.2014	
DRAWING No. 1	SCALE 1 : 20	


Pos. Door Combination, Quantity: 2
R/E Part Visible
Colour: RAL 9010
Job: Springfield Court
System: Schüco ASS 70 FD (auswärts) frame all-around Standard
Exterior View



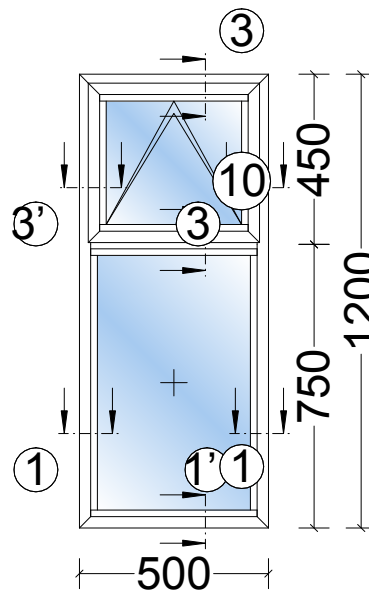
 JK Windows Established 1985		BINGLEY, THE COMMON, DONKEY LANE, WEST DRAYTON. UB7 7HQ TEL: 01895 439199 FAX: 01895 444199
DATE	29.07.2014	
DRAWING No.	1	SCALE 1 : 20


Pos. Door Combination Sides, Quantity: 4
R/E Part Visible
Colour: W White Paint
Job: Springfield Court
System: SBS CROWN Square (Vents Only)
Exterior View



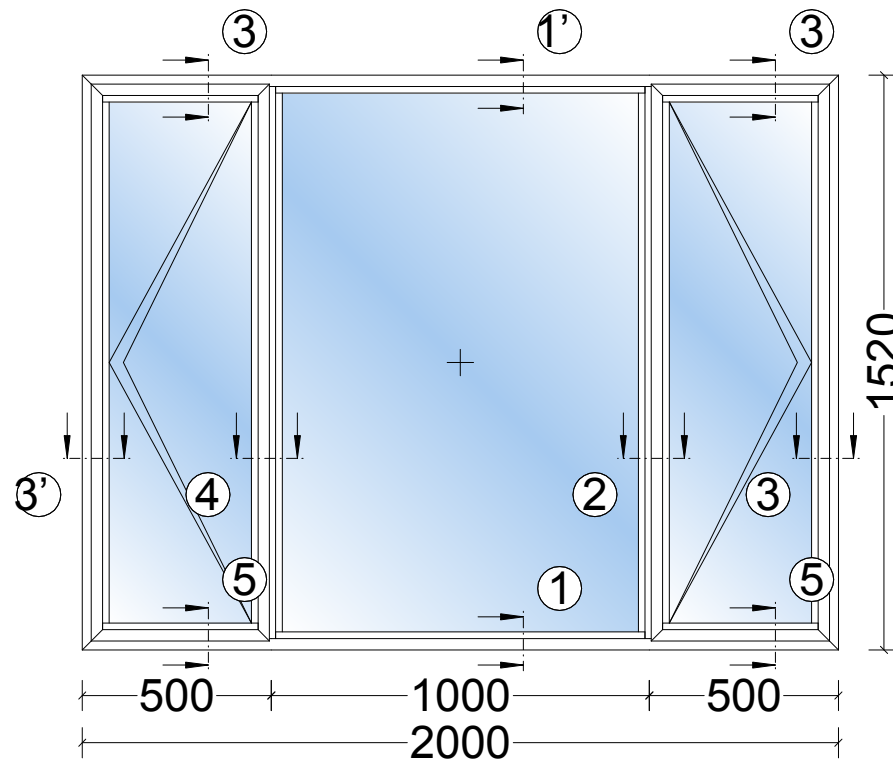
		BINGLEY, THE COMMON, DONKEY LANE, WEST DRAYTON. UB7 7HQ TEL: 01895 439199 FAX: 01895 444199
DATE	29.07.2014	
DRAWING No.	1	SCALE 1 : 20


Pos. Bathrooms., Quantity: 23
Non Visible
Colour: W White Paint
Job: Springfield Court
System: SBS CROWN Square (Vents Only)
Exterior View



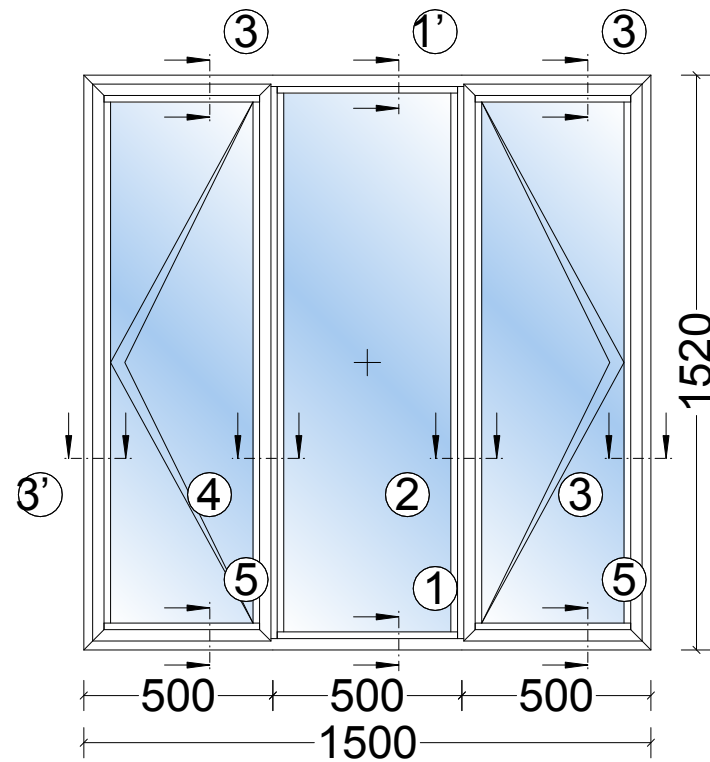
		BINGLEY, THE COMMON, DONKEY LANE, WEST DRAYTON. UB7 7HQ TEL: 01895 439199 FAX: 01895 444199
DATE	29.07.2014	
DRAWING No.	1	SCALE 1 : 20


Pos. Lounge..., Quantity: 5
 R/E Visible
 Colour: W White Paint
 Job: Springfield Court
 System: SBS CROWN Square (Vents Only)
 Exterior View



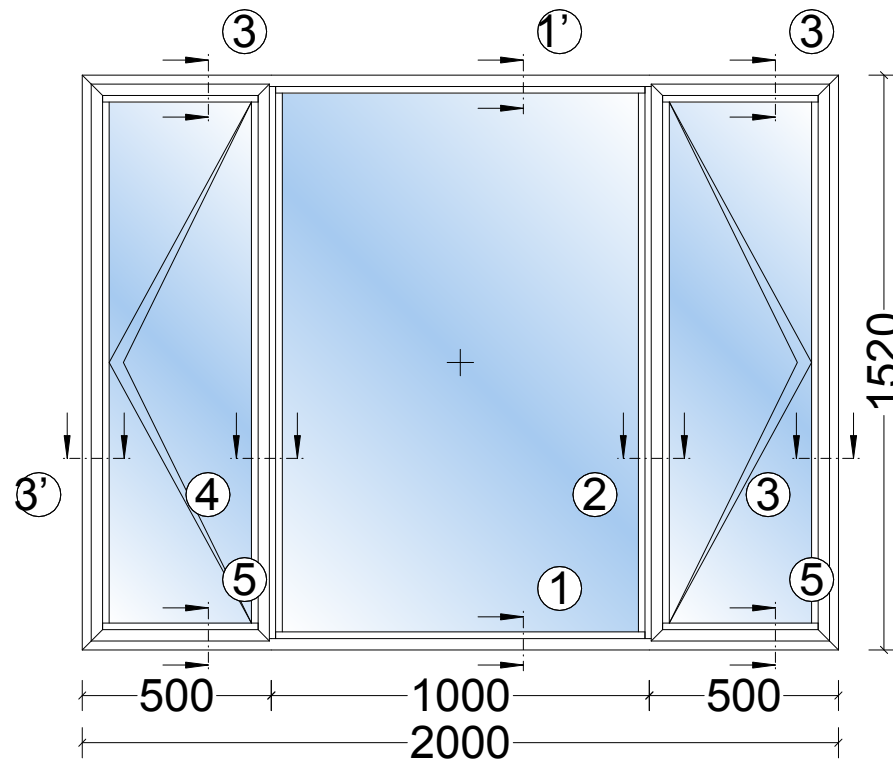
 <p>JK Windows Established 1985</p>		BINGLEY, THE COMMON, DONKEY LANE, WEST DRAYTON. UB7 7HQ TEL: 01895 439199 FAX: 01895 444199	
			DATE
DRAWING No.	1	SCALE	1 : 20


Pos. Bed 2, Quantity: 5
 R/E Visible
 Colour: W White Paint
 Job: Springfield Court
 System: SBS CROWN Square (Vents Only)
 Exterior View



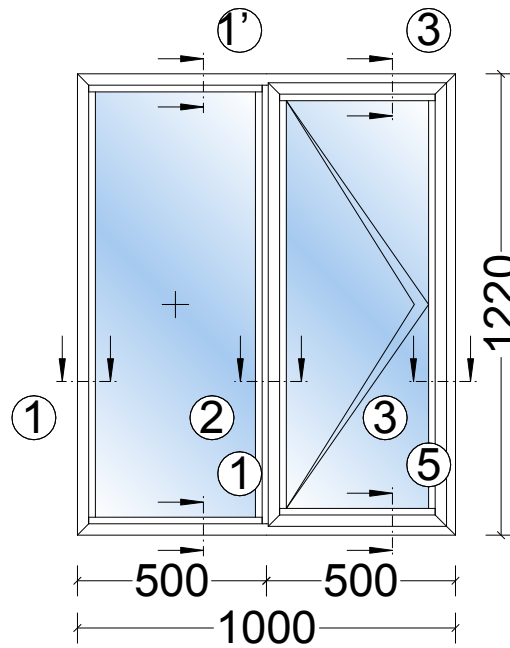
 <p>JK Windows Established 1985</p>	BINGLEY, THE COMMON, DONKEY LANE, WEST DRAYTON. UB7 7HQ TEL: 01895 439199 FAX: 01895 444199	
	DATE 29.07.2014	
DRAWING No. 1	SCALE 1 : 20	

Pos. Bedroom 1., Quantity: 5
 R/E Visible
 Colour: W White Paint
 Job: Springfield Court
 System: SBS CROWN Square (Vents Only)
 Exterior View



 <p>JK Windows Established 1985</p>	BINGLEY, THE COMMON, DONKEY LANE, WEST DRAYTON. UB7 7HQ TEL: 01895 439199 FAX: 01895 444199
	DATE 29.07.2014
DRAWING No. 1	SCALE 1 : 20

Pos. Kitchen, Quantity: 5
R/E Non Visible
Colour: W White Paint
Job: Springfield Court
System: SBS CROWN Square (Vents Only)
Exterior View



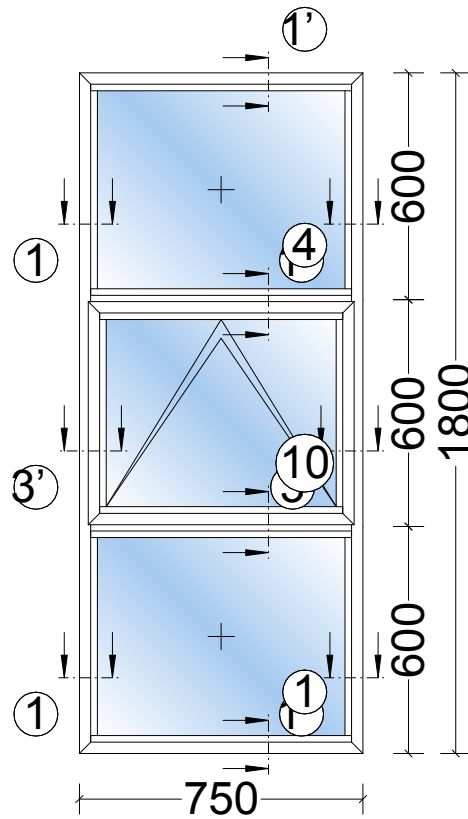
BINGLEY, THE COMMON,
DONKEY LANE,
WEST DRAYTON. UB7 7HQ
TEL: 01895 439199
FAX: 01895 444199


DATE
29.07.2014

DRAWING No.
1

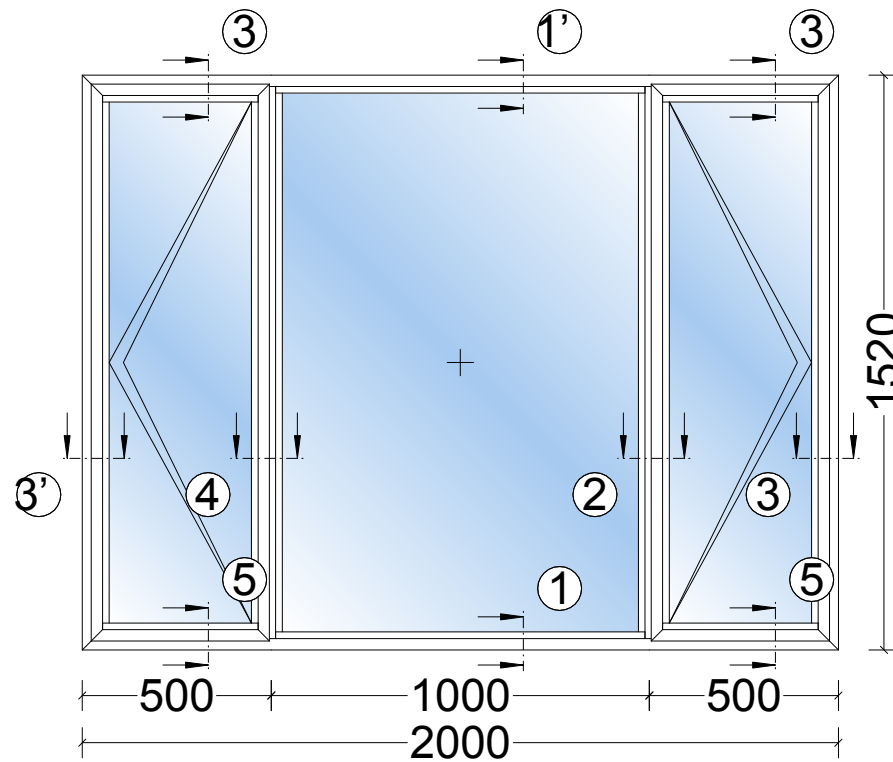
SCALE
1 : 20


Pos. Hallway, Quantity: 8
 R/E Non Visible
 Colour: W White Paint
 Job: Springfield Court
 System: SBS CROWN Square (Vents Only)
 Exterior View



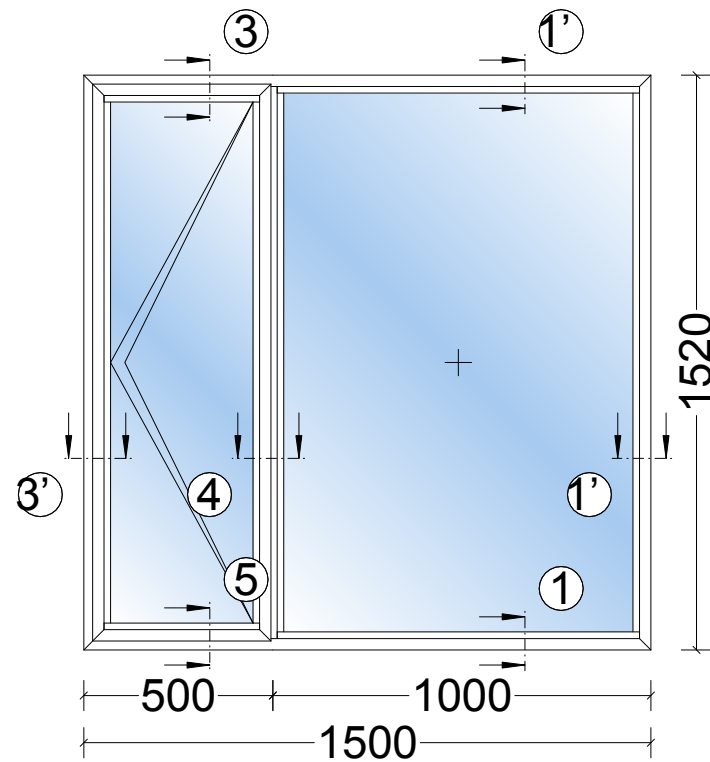
 JK Windows <small>Established 1985</small>	BINGLEY, THE COMMON, DONKEY LANE, WEST DRAYTON. UB7 7HQ TEL: 01895 439199 FAX: 01895 444199
DATE 29.07.2014	
DRAWING No. 1	SCALE 1 : 20


Pos. Kitchen., Quantity: 8
 F/E Visible
 Colour: W White Paint
 Job: Springfield Court
 System: SBS CROWN Square (Vents Only)
 Exterior View



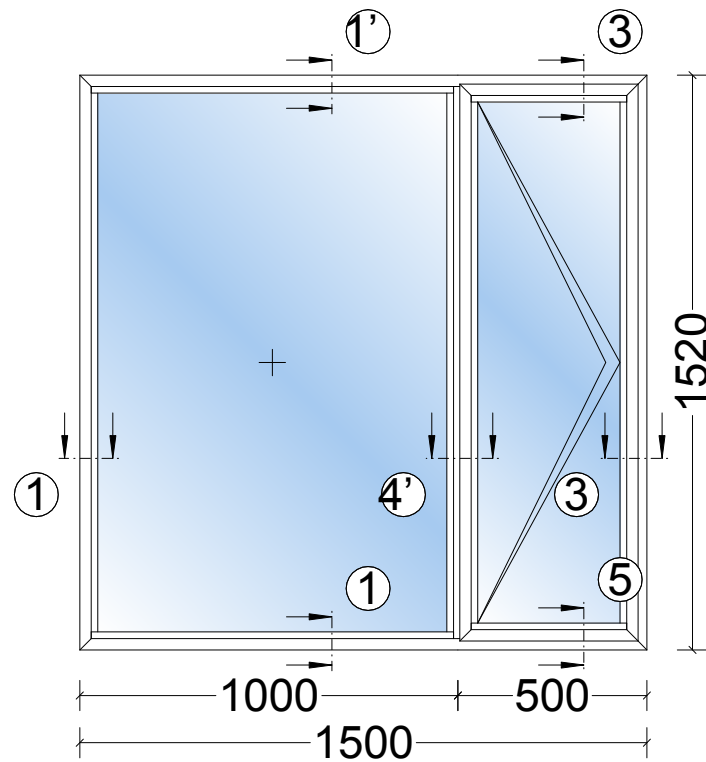
 JK Windows <small>Established 1985</small>		BINGLEY, THE COMMON, DONKEY LANE, WEST DRAYTON. UB7 7HQ TEL: 01895 439199 FAX: 01895 444199
DRAWING No. 1	SCALE 1 : 20	


Pos. Bedroom 2, Quantity: 8
F/E Visible
Colour: W White Paint
Job: Springfield Court
System: SBS CROWN Square (Vents Only)
Exterior View



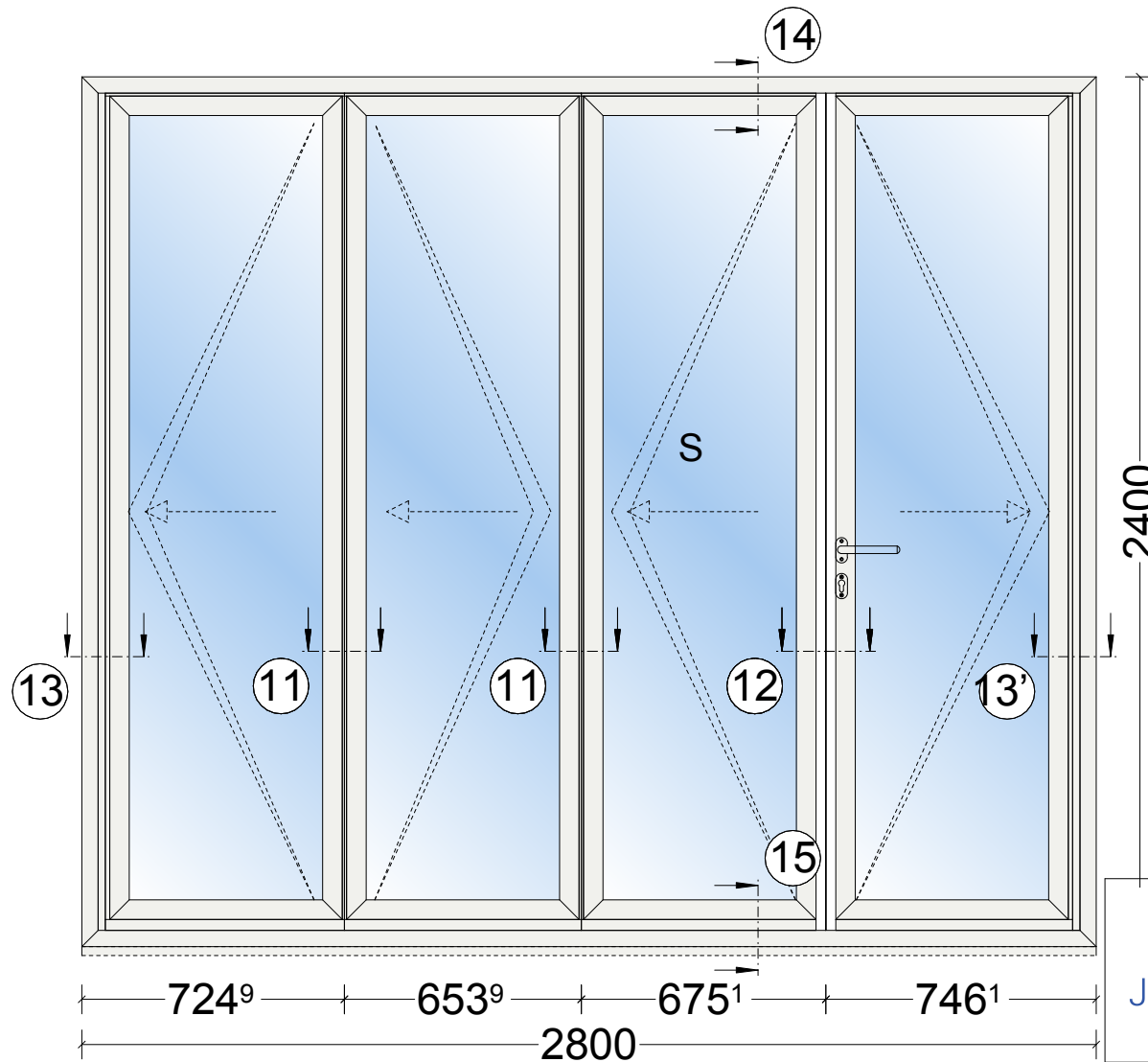
 JK Windows Established 1985	BINGLEY, THE COMMON, DONKEY LANE, WEST DRAYTON. UB7 7HQ TEL: 01895 439199 FAX: 01895 444199
	DATE 29.07.2014
DRAWING No. 1	SCALE 1 : 20

Pos. Bedroom 1, Quantity: 8
 F/E Visible
 Colour: W White Paint
 Job: Springfield Court
 System: SBS CROWN Square (Vents Only)
 Exterior View



 <p>JK Windows Established 1985</p>	<p>BINGLEY, THE COMMON, DONKEY LANE, WEST DRAYTON. UB7 7HQ TEL: 01895 439199 FAX: 01895 444199</p>
<p>DATE 29.07.2014</p>	
<p>DRAWING No. 1</p>	<p>SCALE 1 : 20</p>

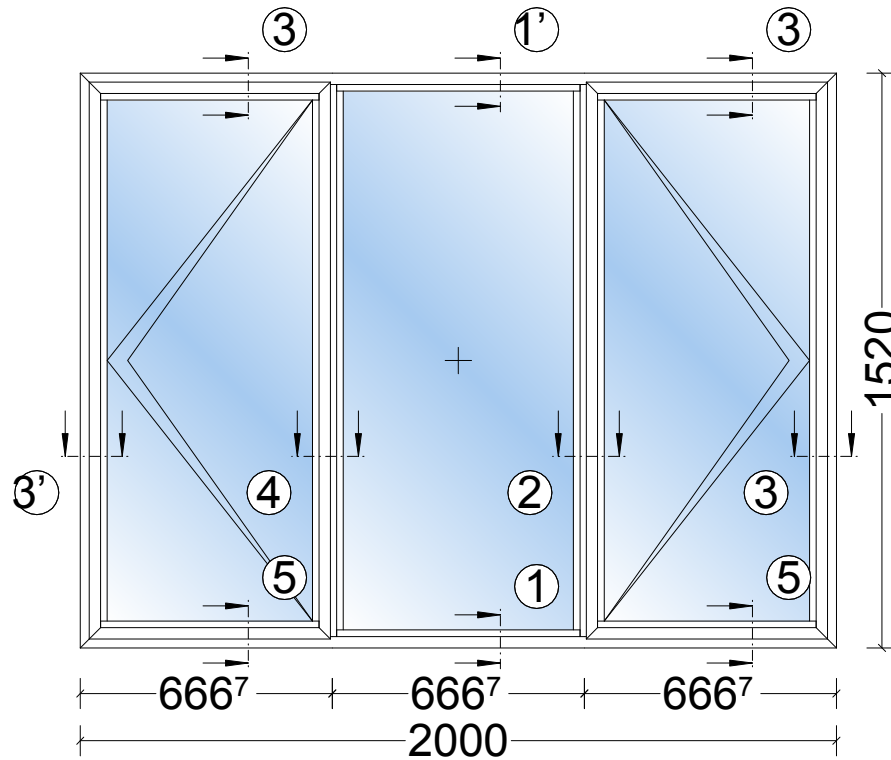
Pos. Lounge., Quantity: 8
 R/E Visible
 Colour: RAL 9016
 Job: Springfield Court
 System: Schüco ASS 70 FD (auswärts) frame all-around Standard
 Exterior View




 <p>JK Windows Established 1985</p>	<p>BINGLEY, THE COMMON, DONKEY LANE, WEST DRAYTON. UB7 7HQ TEL: 01895 439199 FAX: 01895 444199</p>
---	--

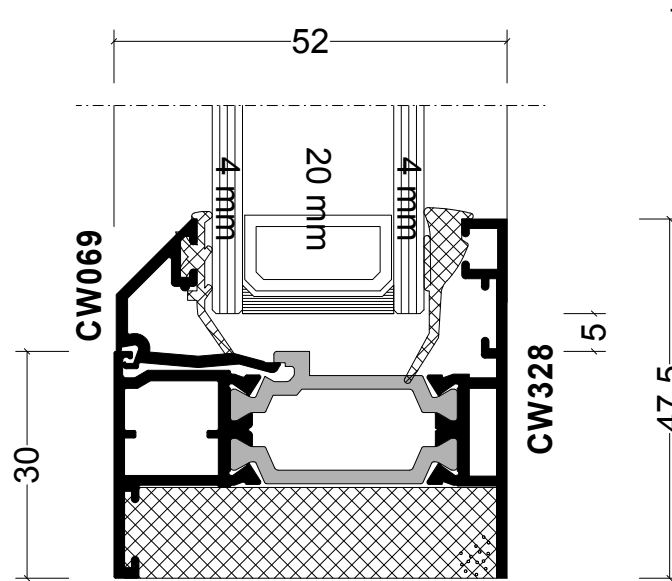
DATE 29.07.2014	
DRAWING No. 1	SCALE 1 : 20


Pos. Stairs, Quantity: 3
 F/E Visible
 Colour: W White Paint
 Job: Springfield Court
 System: SBS CROWN Square (Vents Only)
 Exterior View



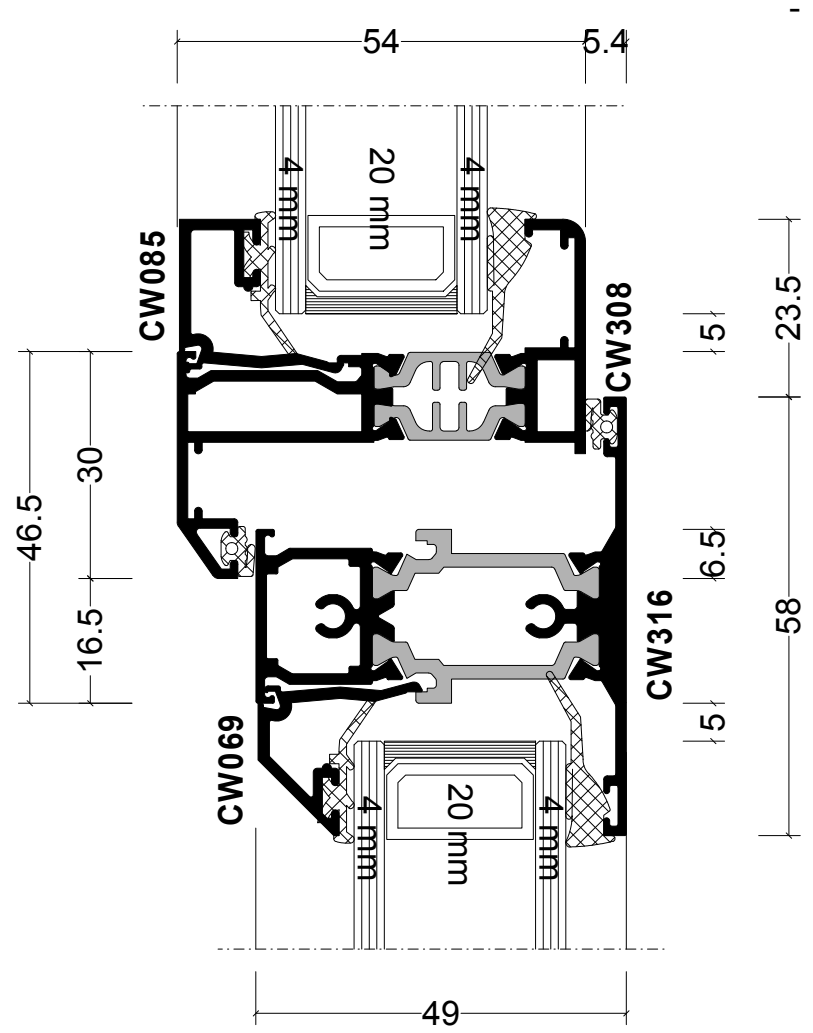
 <p>JK Windows Established 1985</p>	BINGLEY, THE COMMON, DONKEY LANE, WEST DRAYTON. UB7 7HQ TEL: 01895 439199 FAX: 01895 444199	
	DATE 29.07.2014	
DRAWING No. 1	SCALE 1 : 20	


Section 1



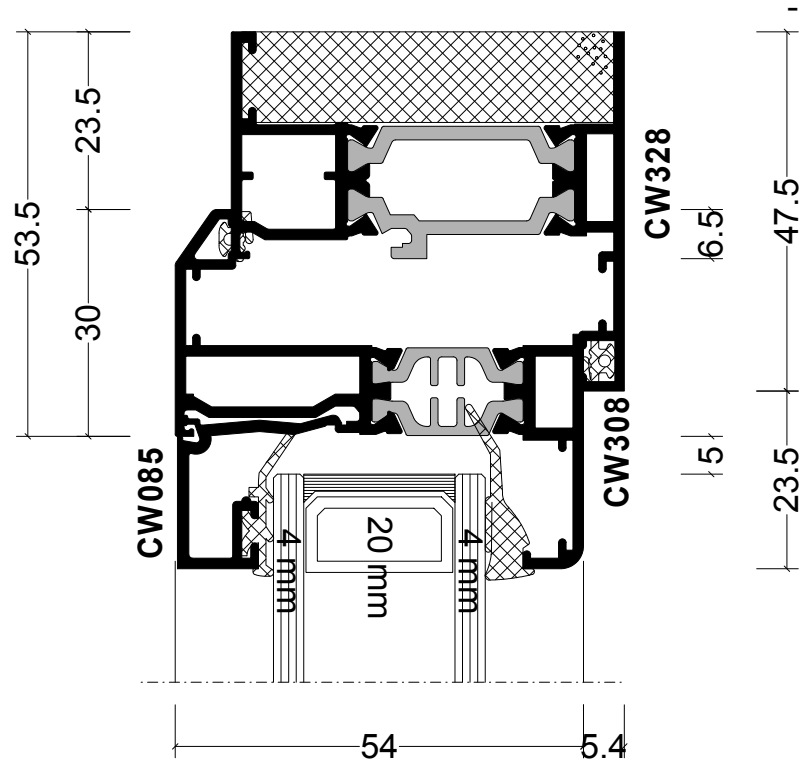
 <p>JK Windows Established 1985</p>		<p>BINGLEY, THE COMMON, DONKEY LANE, WEST DRAYTON. UB7 7HQ TEL: 01895 439199 FAX: 01895 444199</p>
DATE 29.07.2014		
DRAWING No. 1	SCALE 1 : 1	


Section 2



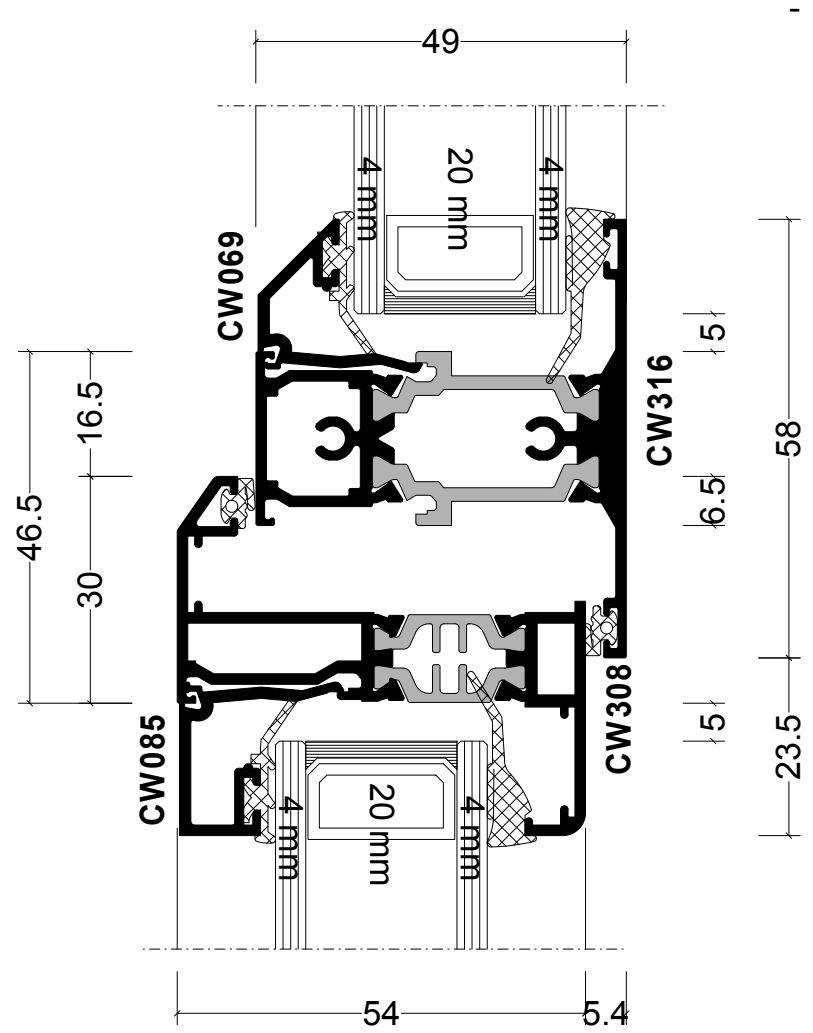
		BINGLEY, THE COMMON, DONKEY LANE, WEST DRAYTON. UB7 7HQ TEL: 01895 439199 FAX: 01895 444199
DATE	29.07.2014	
DRAWING No.	1	SCALE 1 : 1


Section 3



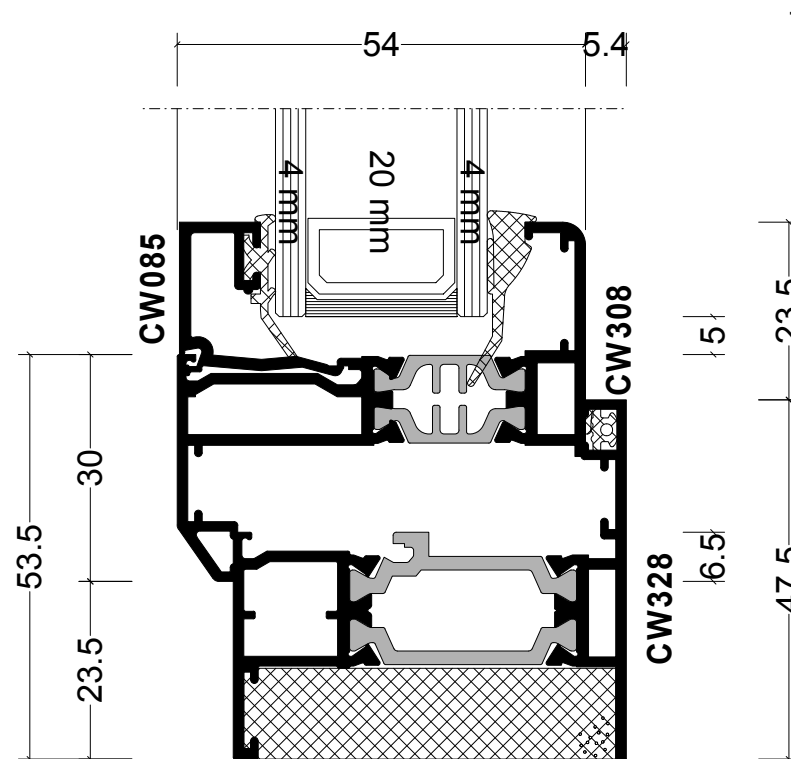
 <p>JK Windows Established 1985</p>	BINGLEY, THE COMMON, DONKEY LANE, WEST DRAYTON. UB7 7HQ TEL: 01895 439199 FAX: 01895 444199	
	DATE 29.07.2014	
DRAWING No. 1	SCALE 1 : 1	


Section 4



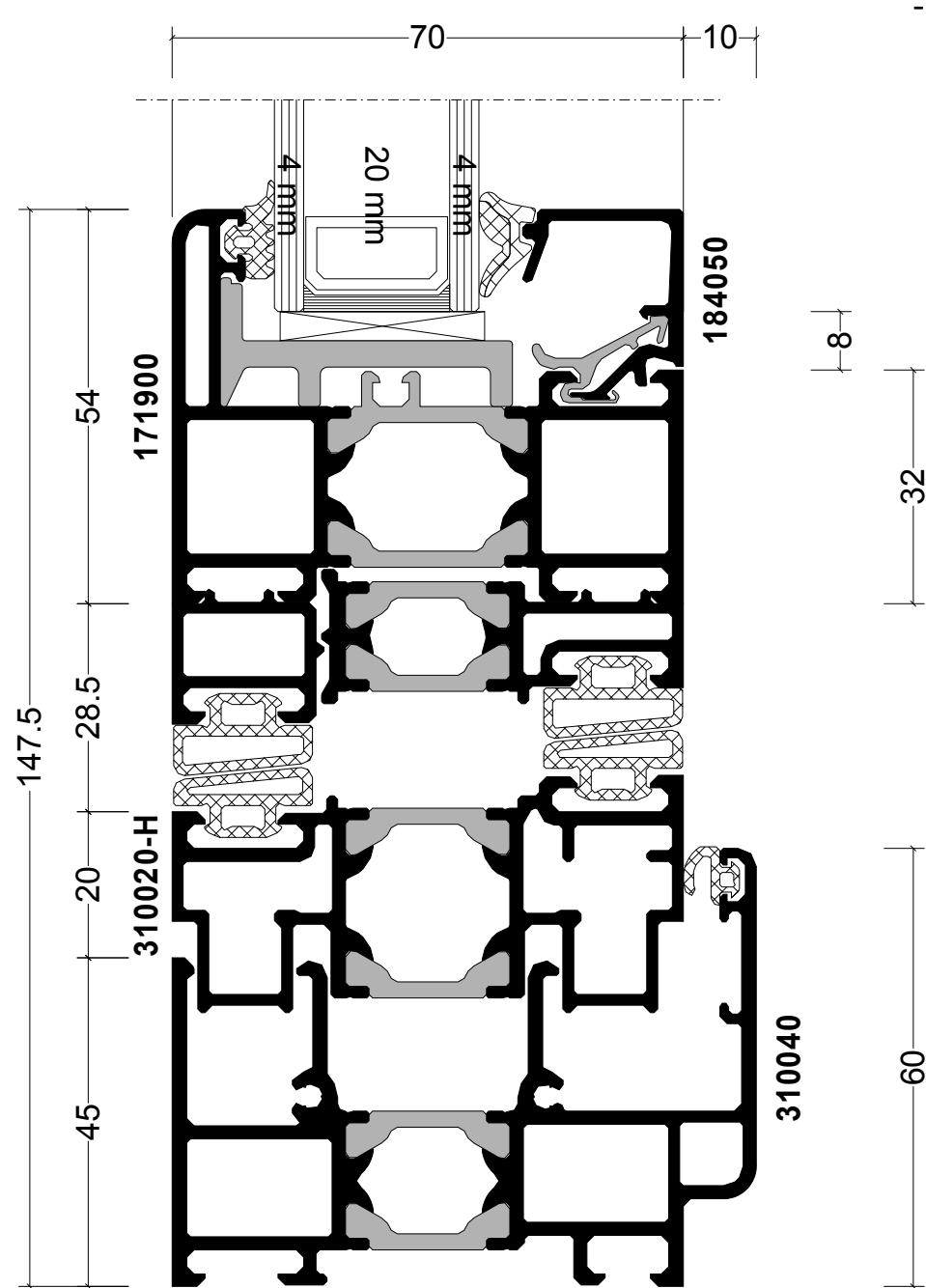
 JK Windows <small>Established 1985</small>		BINGLEY, THE COMMON, DONKEY LANE, WEST DRAYTON. UB7 7HQ TEL: 01895 439199 FAX: 01895 444199
DATE 29.07.2014		
DRAWING No. 1	SCALE 1 : 1	


Section 5



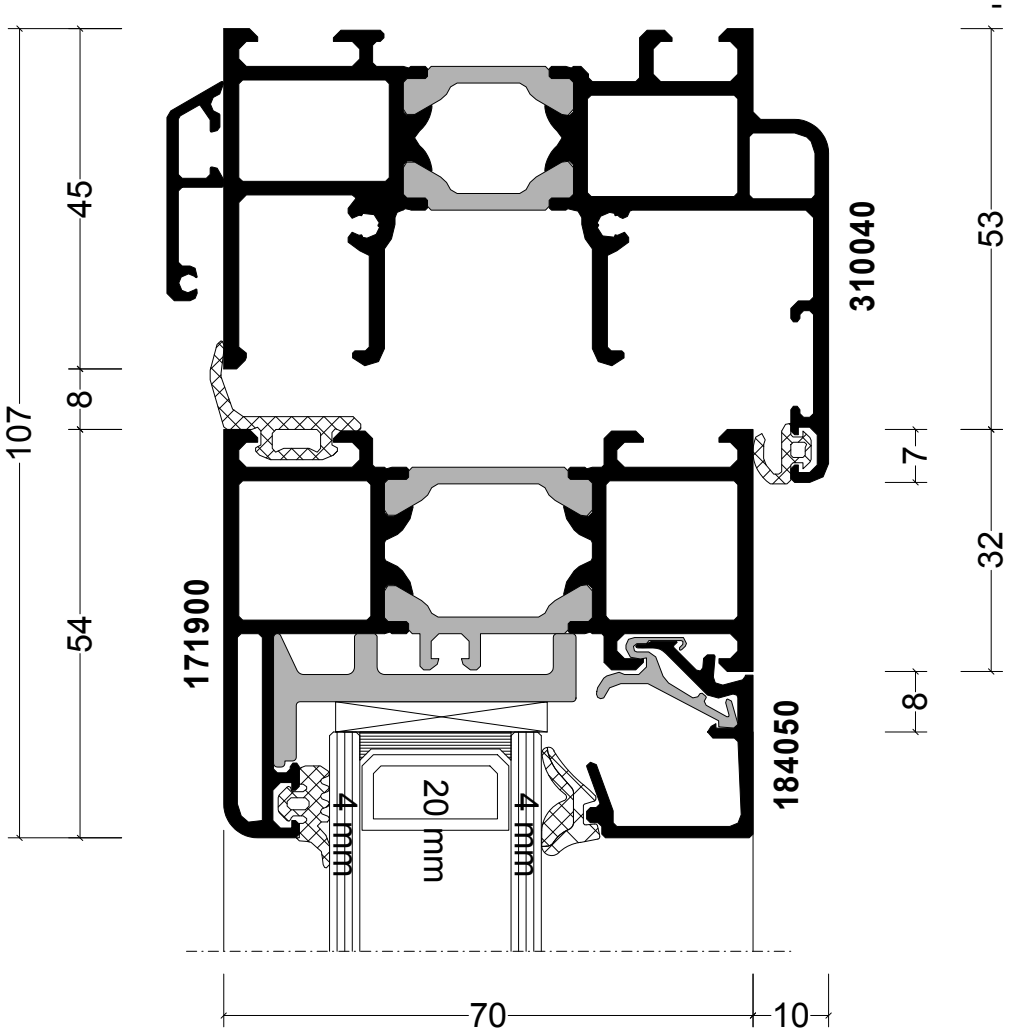
		BINGLEY, THE COMMON, DONKEY LANE, WEST DRAYTON. UB7 7HQ TEL: 01895 439199 FAX: 01895 444199
DATE 29.07.2014		
DRAWING No.	1	SCALE 1 : 1

Section 6



 <p>JK Windows Established 1985</p>		<p>BINGLEY, THE COMMON, DONKEY LANE, WEST DRAYTON. UB7 7HQ TEL: 01895 439199 FAX: 01895 444199</p>
<p>DRAWING No. 1</p>	<p>SCALE 1 : 1</p>	

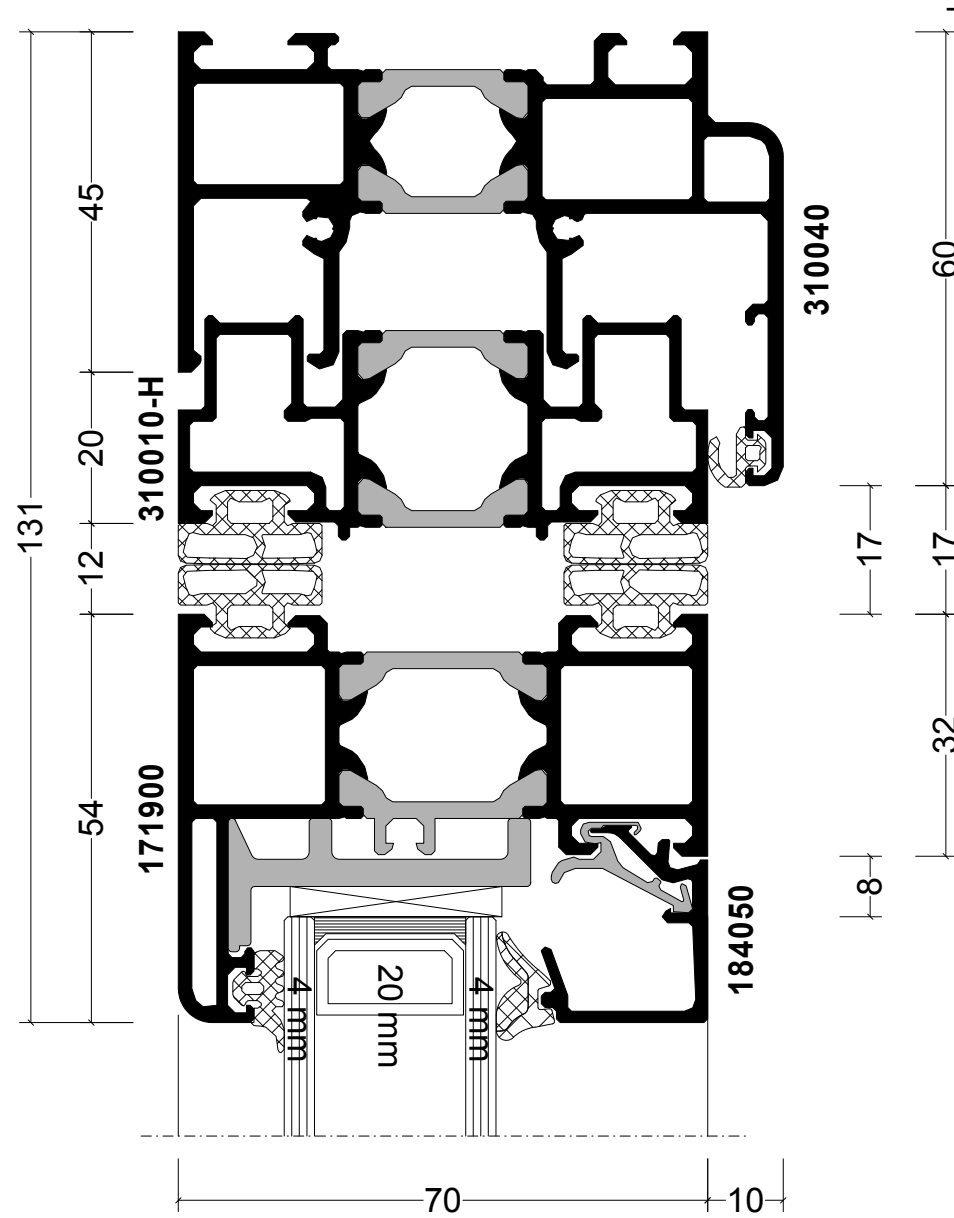
Section 7



 <p>JK Windows Established 1985</p>	<p>BINGLEY, THE COMMON, DONKEY LANE, WEST DRAYTON. UB7 7HQ TEL: 01895 439199 FAX: 01895 444199</p>
	<p>DATE 29.07.2014</p>

DRAWING No.	SCALE
1	1 : 1

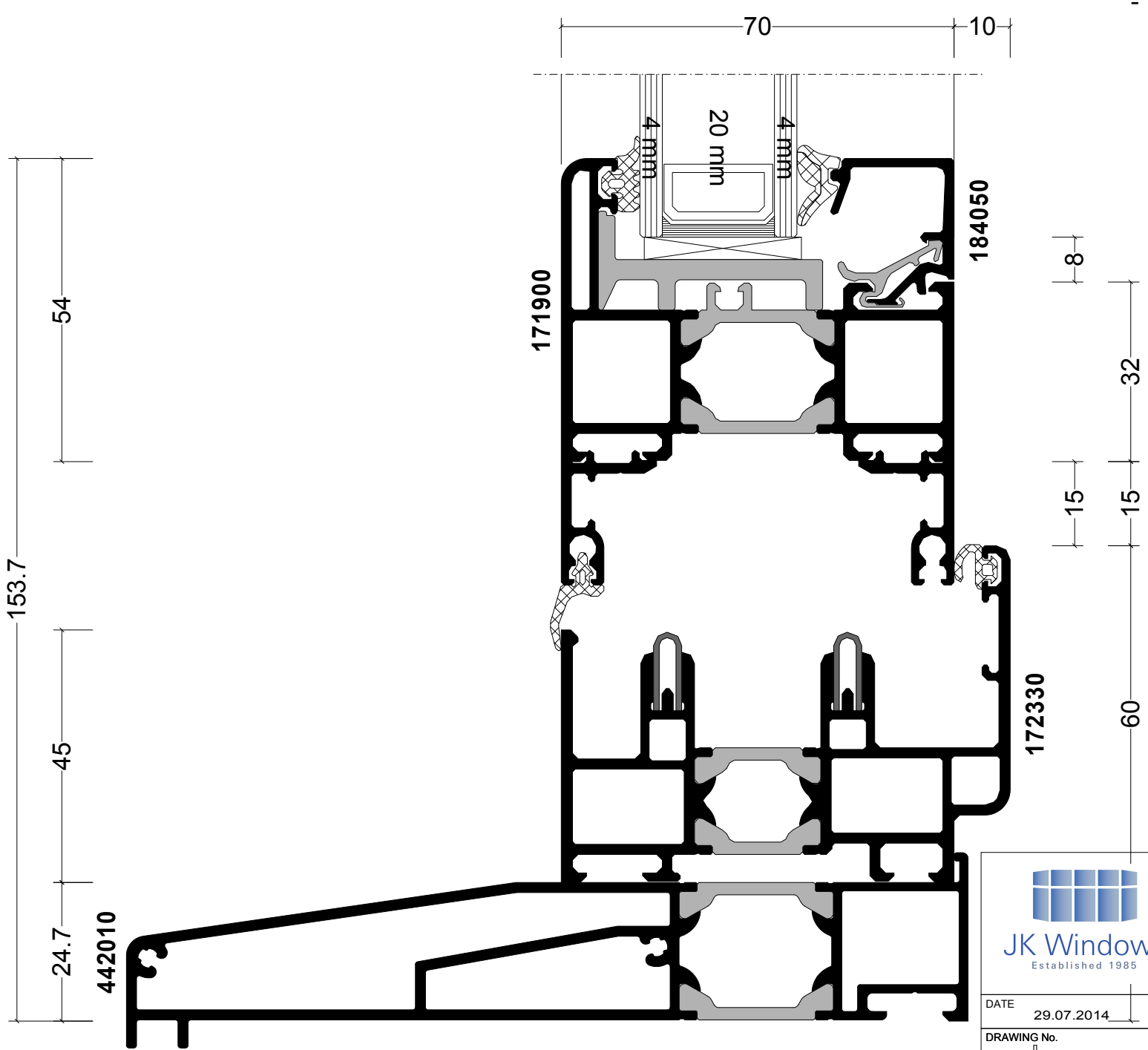
Section 8




 <p>JK Windows Established 1985</p>	<p>BINGLEY, THE COMMON, DONKEY LANE, WEST DRAYTON. UB7 7HQ TEL: 01895 439199 FAX: 01895 444199</p>
	<p>DATE 29.07.2014</p>

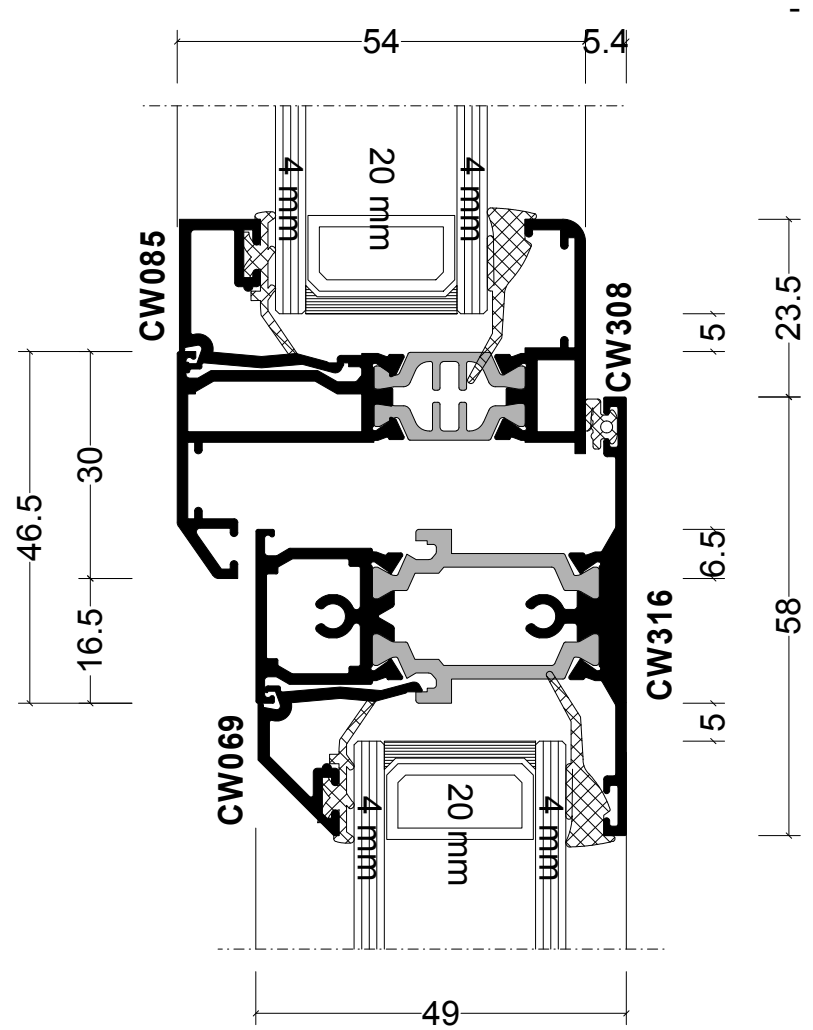
DRAWING No. 1	SCALE 1 : 1
------------------	----------------


Section 9



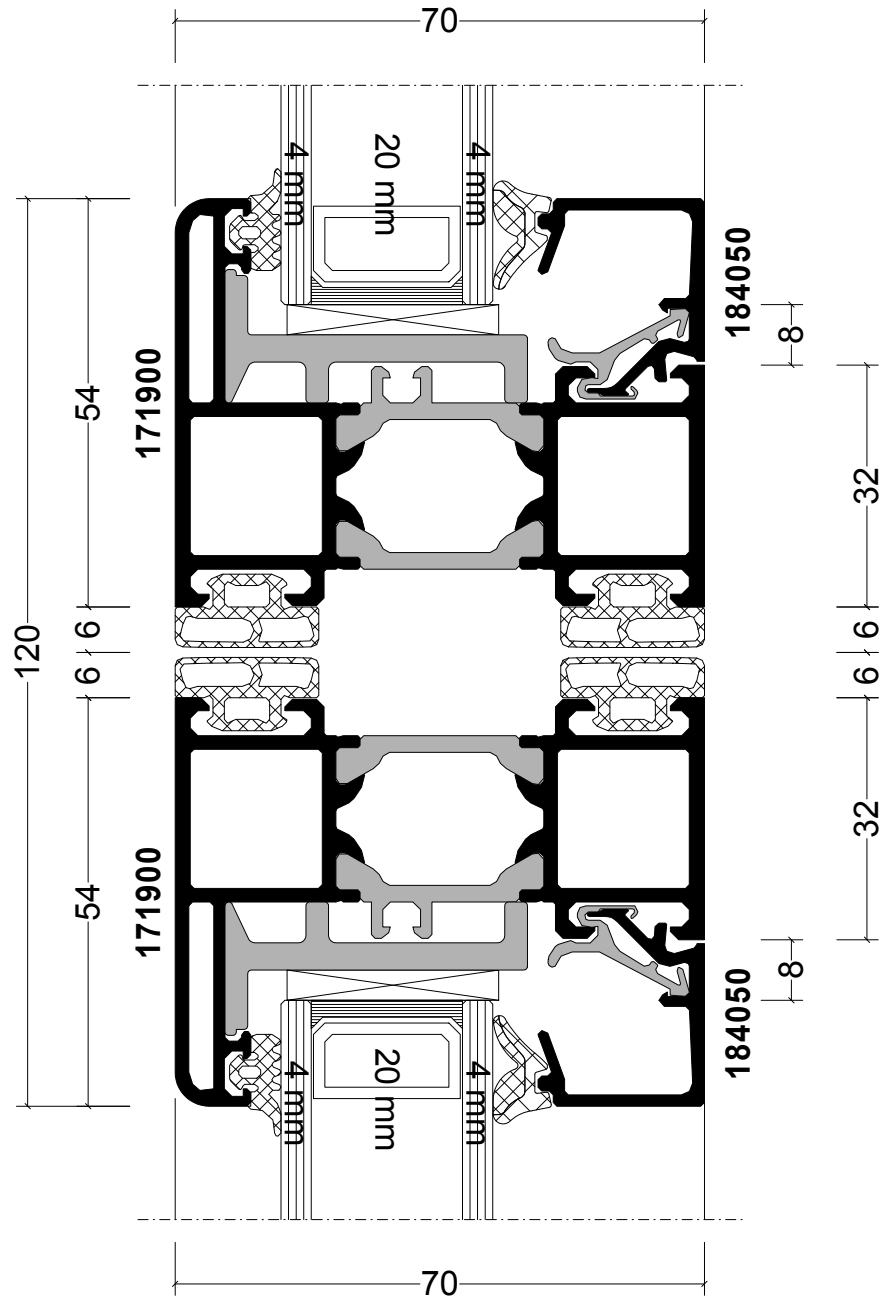
 <p>JK Windows Established 1985</p>		BINGLEY, THE COMMON, DONKEY LANE, WEST DRAYTON. UB7 7HQ TEL: 01895 439199 FAX: 01895 444199	
		DATE 29.07.2014	
DRAWING No. 1		SCALE 1 : 1	

Section 10



		BINGLEY, THE COMMON, DONKEY LANE, WEST DRAYTON. UB7 7HQ TEL: 01895 439199 FAX: 01895 444199
DATE 29.07.2014		
DRAWING No. 1	SCALE 1 : 1	

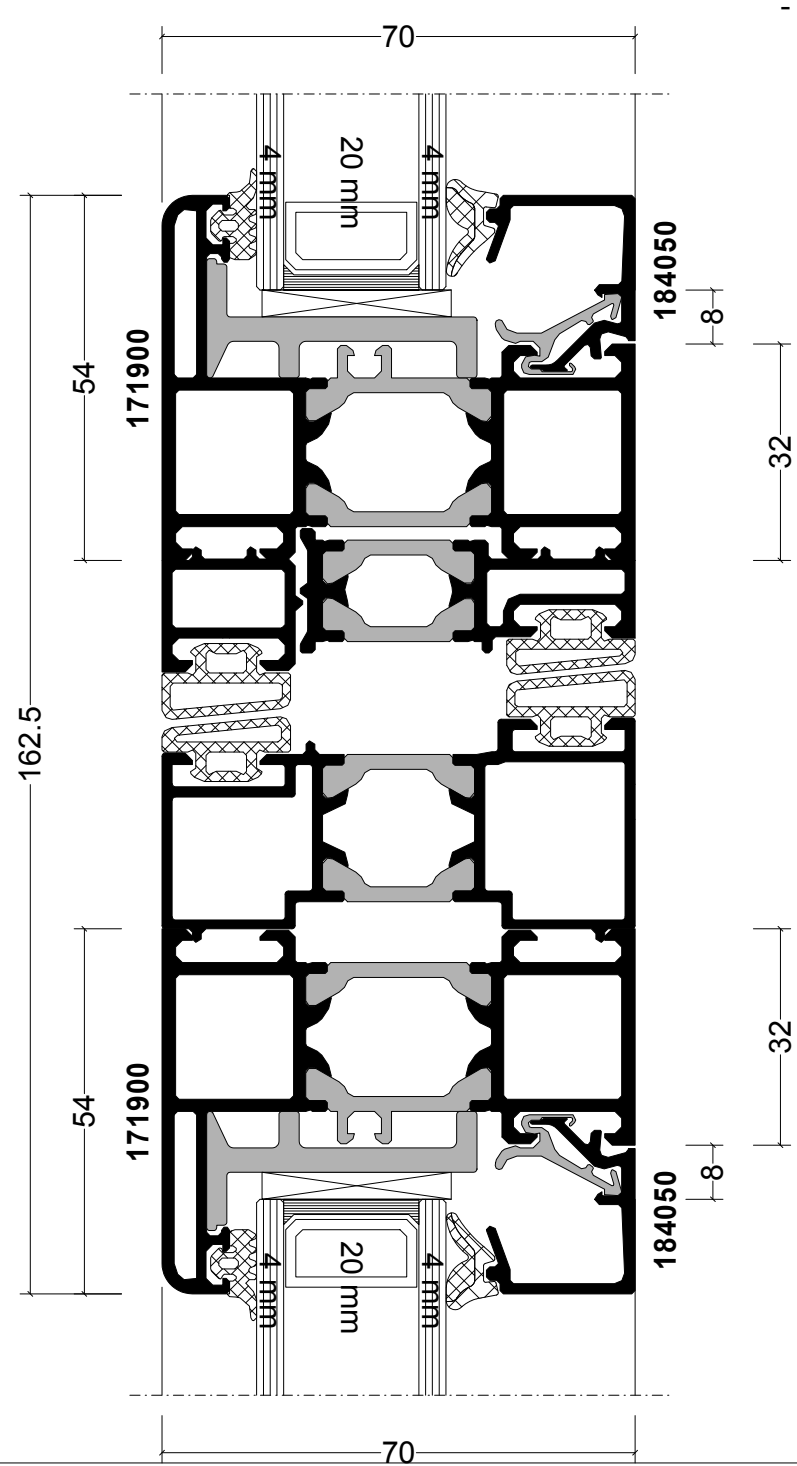
Section 11




 <p>JK Windows Established 1985</p>	<p>BINGLEY, THE COMMON, DONKEY LANE, WEST DRAYTON. UB7 7HQ TEL: 01895 439199 FAX: 01895 444199</p>
	<p>DATE 29.07.2014</p>

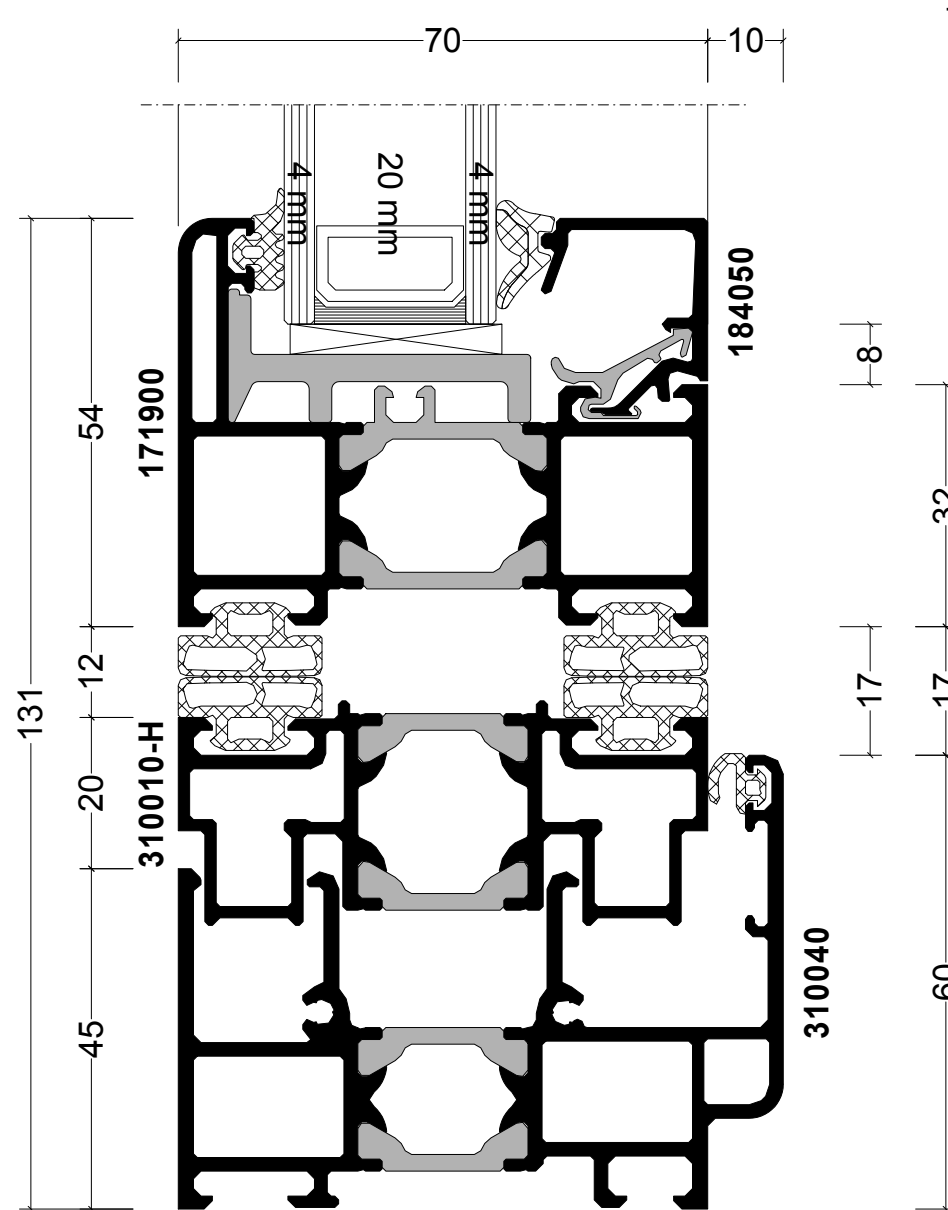
DRAWING No.	SCALE
1	1 : 1


Section 12



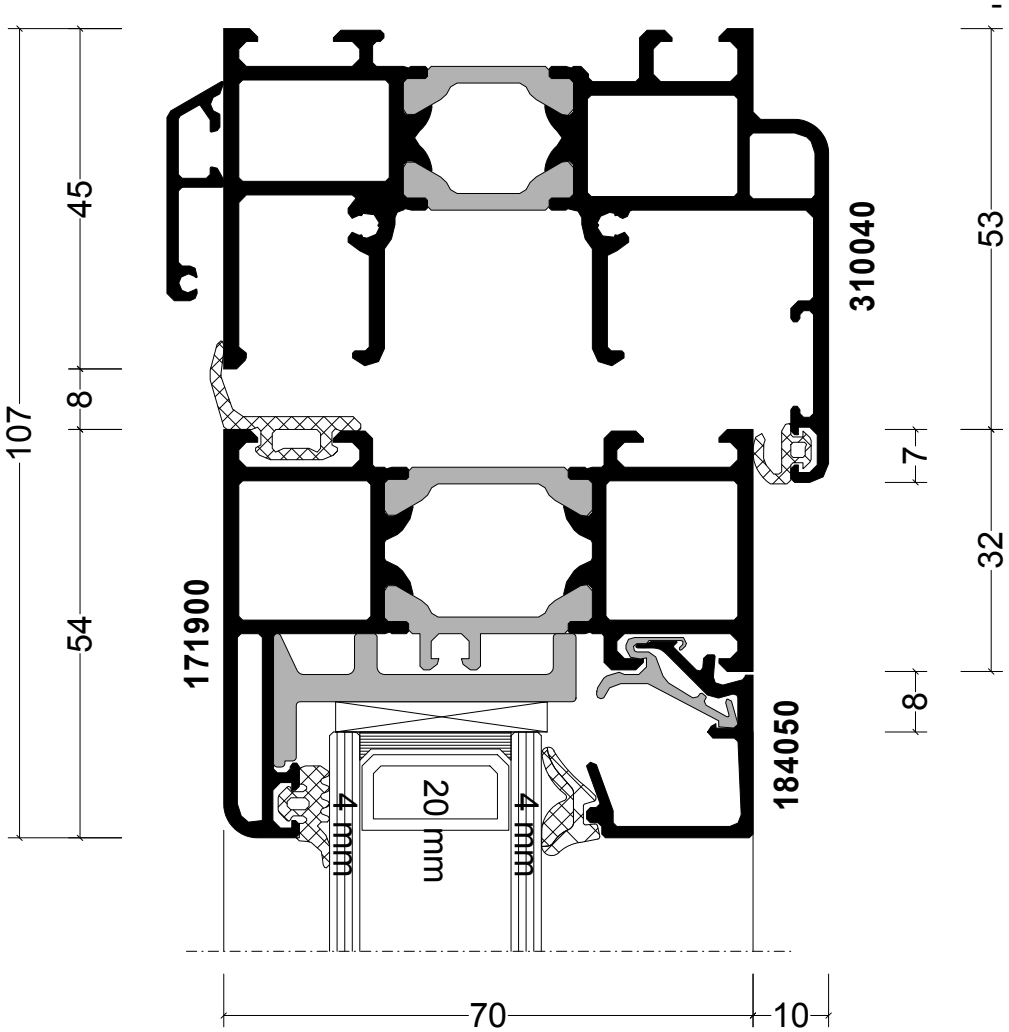
 JK Windows <small>Established 1985</small>		BINGLEY, THE COMMON, DONKEY LANE, WEST DRAYTON. UB7 7HQ TEL: 01895 439199 FAX: 01895 444199
DATE 29.07.2014		
DRAWING No. 1	SCALE 1 : 1.1	

Section 13



 <p>JK Windows Established 1985</p>		BINGLEY, THE COMMON, DONKEY LANE, WEST DRAYTON. UB7 7HQ TEL: 01895 439199 FAX: 01895 444199
DATE 29.07.2014		
DRAWING No. 1	SCALE 1 : 1	

Section 14



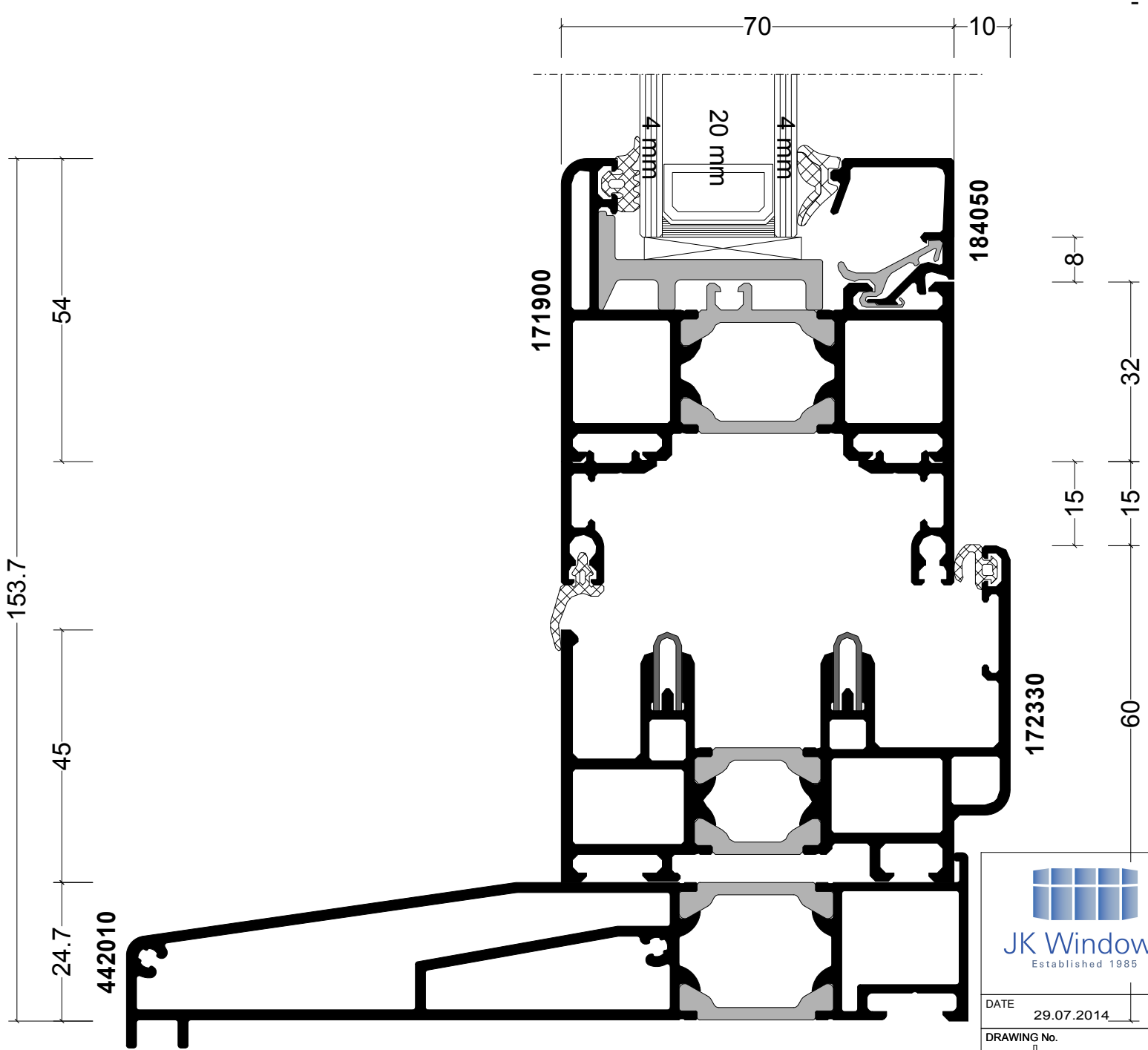
 <p>JK Windows Established 1985</p>	<p>BINGLEY, THE COMMON, DONKEY LANE, WEST DRAYTON. UB7 7HQ TEL: 01895 439199 FAX: 01895 444199</p>
---	--


DATE 29.07.2014

DRAWING No. 1

SCALE 1 : 1

Section 15



 <p>JK Windows Established 1985</p>		BINGLEY, THE COMMON, DONKEY LANE, WEST DRAYTON. UB7 7HQ TEL: 01895 439199 FAX: 01895 444199	
		DATE 29.07.2014	
DRAWING No. 1		SCALE 1 : 1	