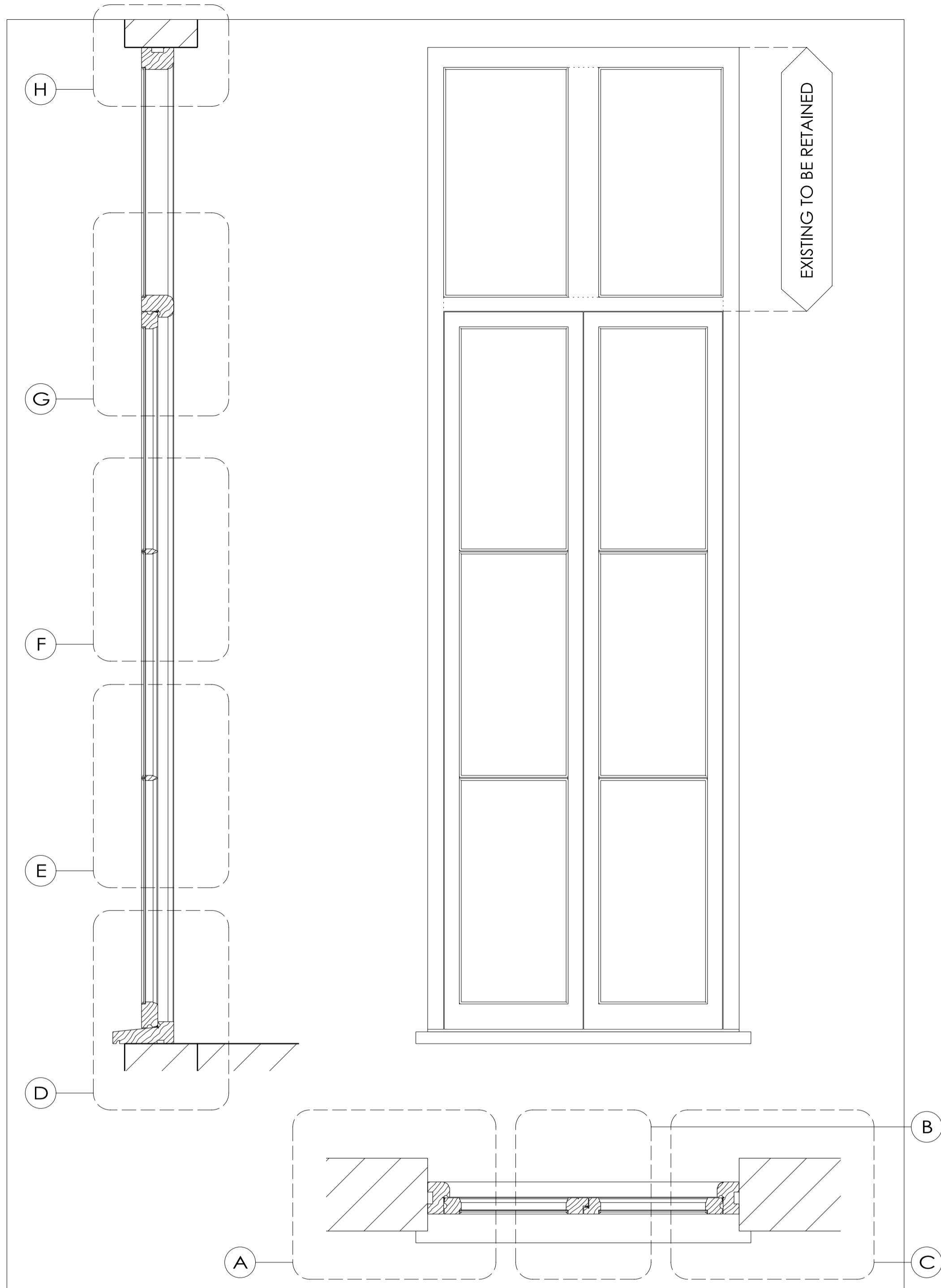
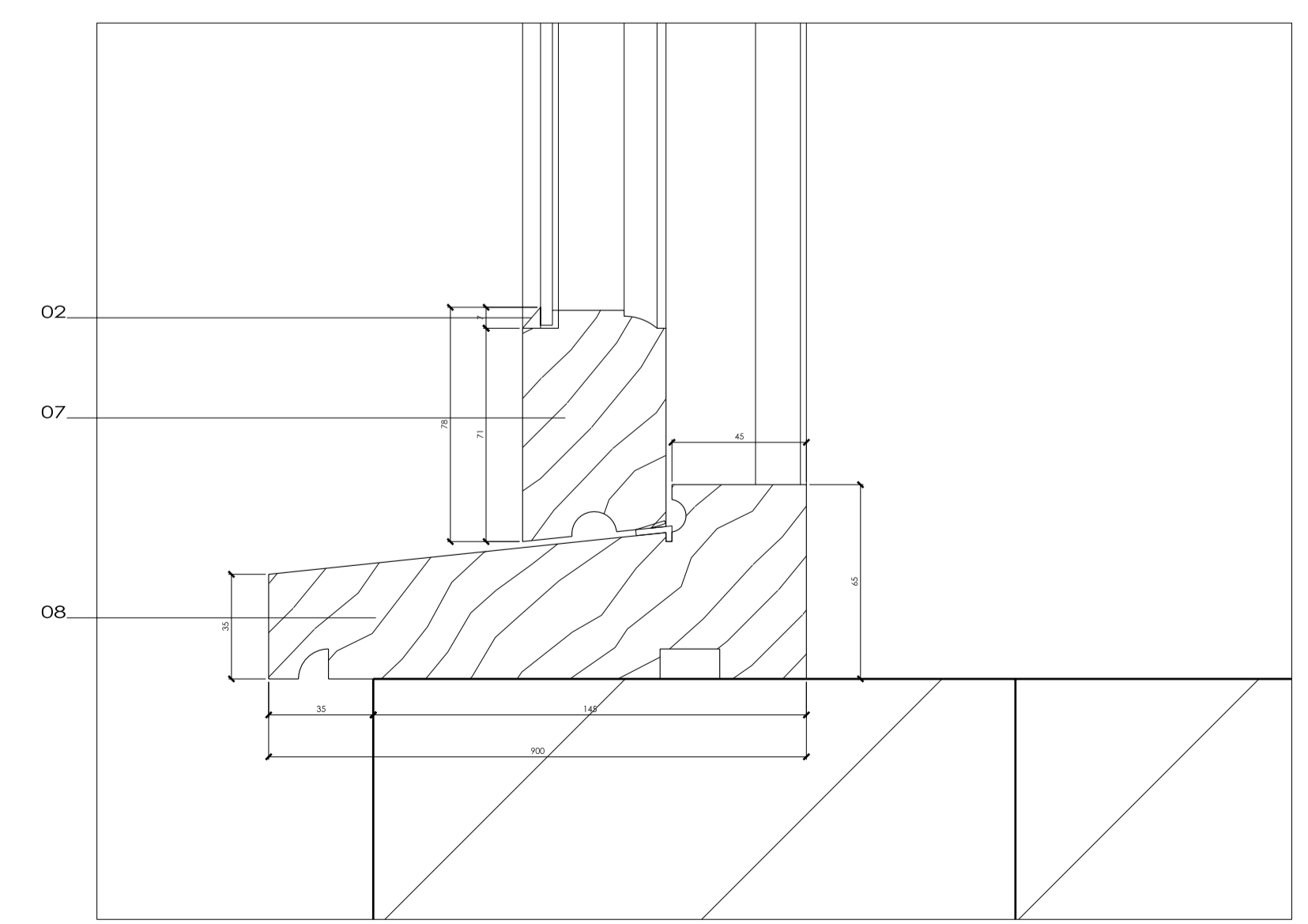
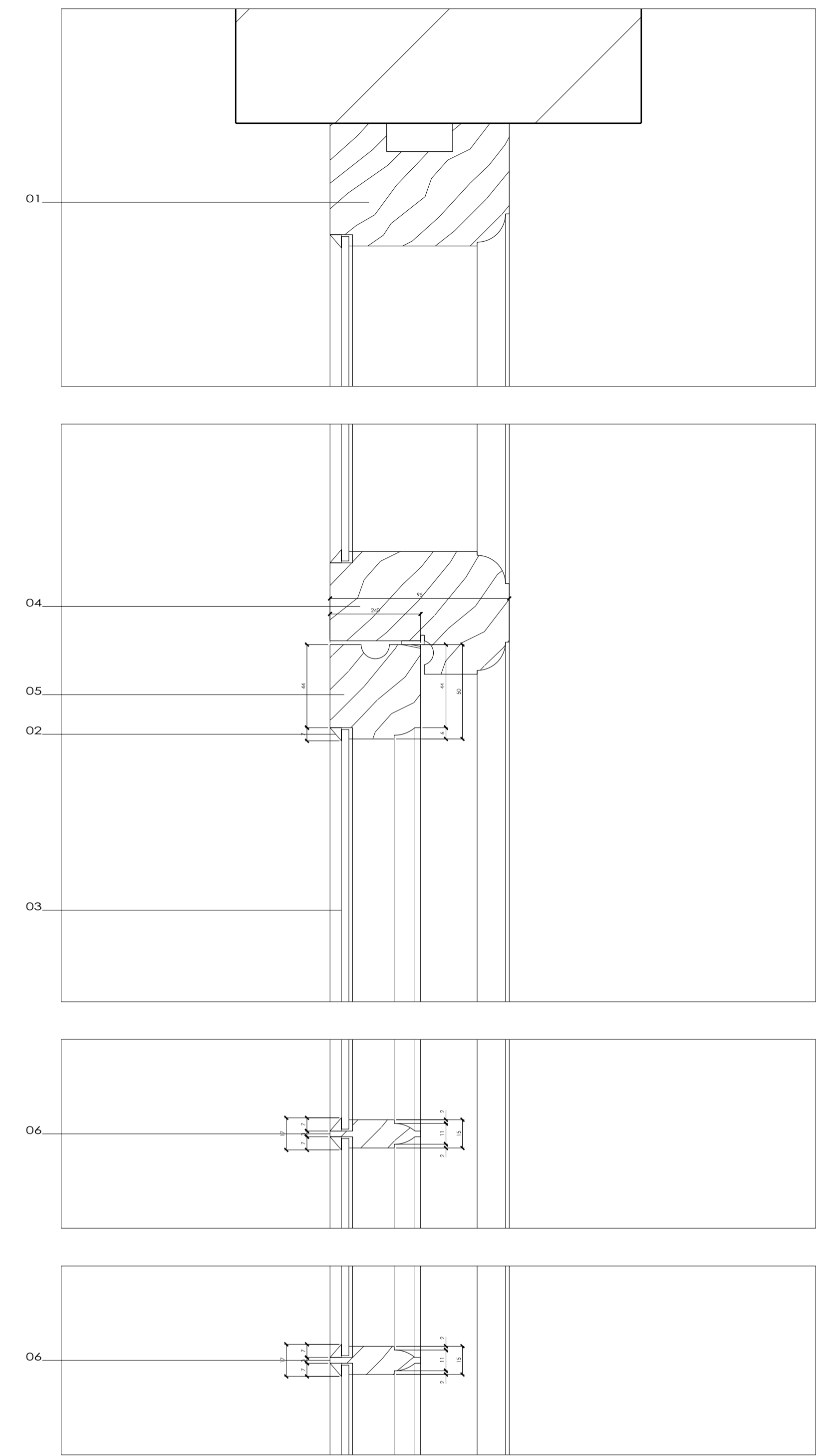


**NOTES TO DRAWING**

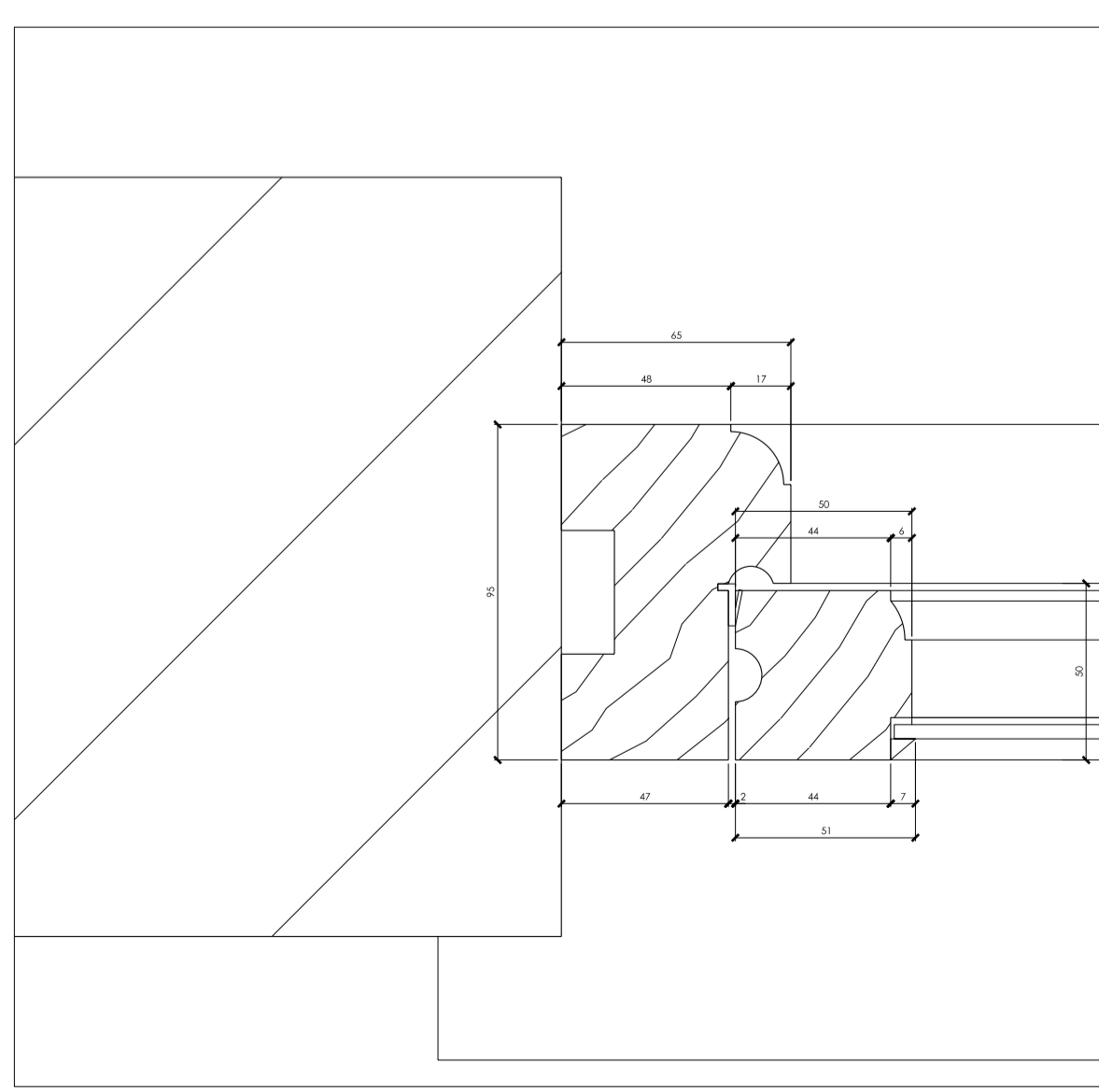
- 01 - Head of frame (existing)
- 02 - Putty and sprig fixings with butylin rebate
- 03 - Single glazing to match existing
- 04 - Fixed transom (existing) with quadrant ovolo moulding details to match existing
- 05 - Timber top rail door with weatherstripping in rebate
- 06 - Timber astragal with quadrant ovolo moulding on inside to match existing
- 07 - Timber bottom rail with weatherstripping in rebate
- 08 - Hardwood cill
- 09 - Timber jamb of frame with quadrant ovolo mouldings on inside
- 10 - Timber side stile with quadrant ovolo mouldings on inside to match existing
- 11 - Timber meeting stile with weatherstripping in rebate



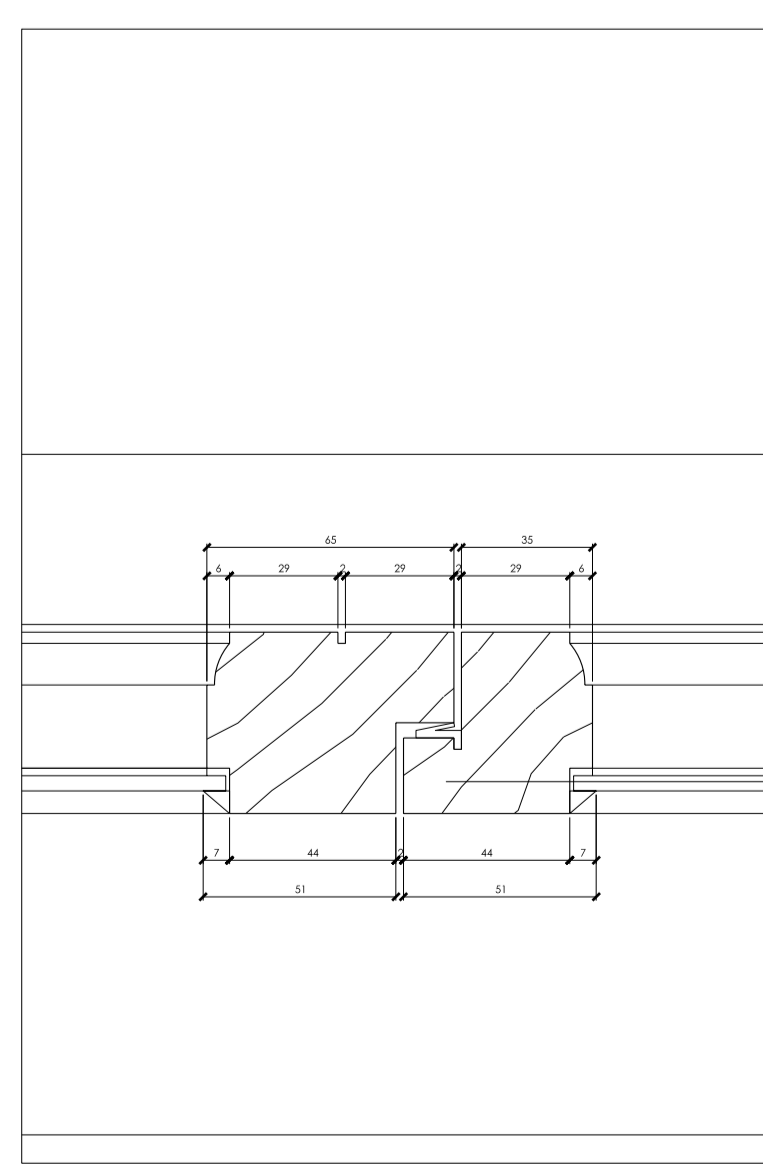
**01 - EXTERNAL TIMBER FRAMED GLAZED DOOR TO MATCH EXISTING**  
SCALE - 1:10 @ A1



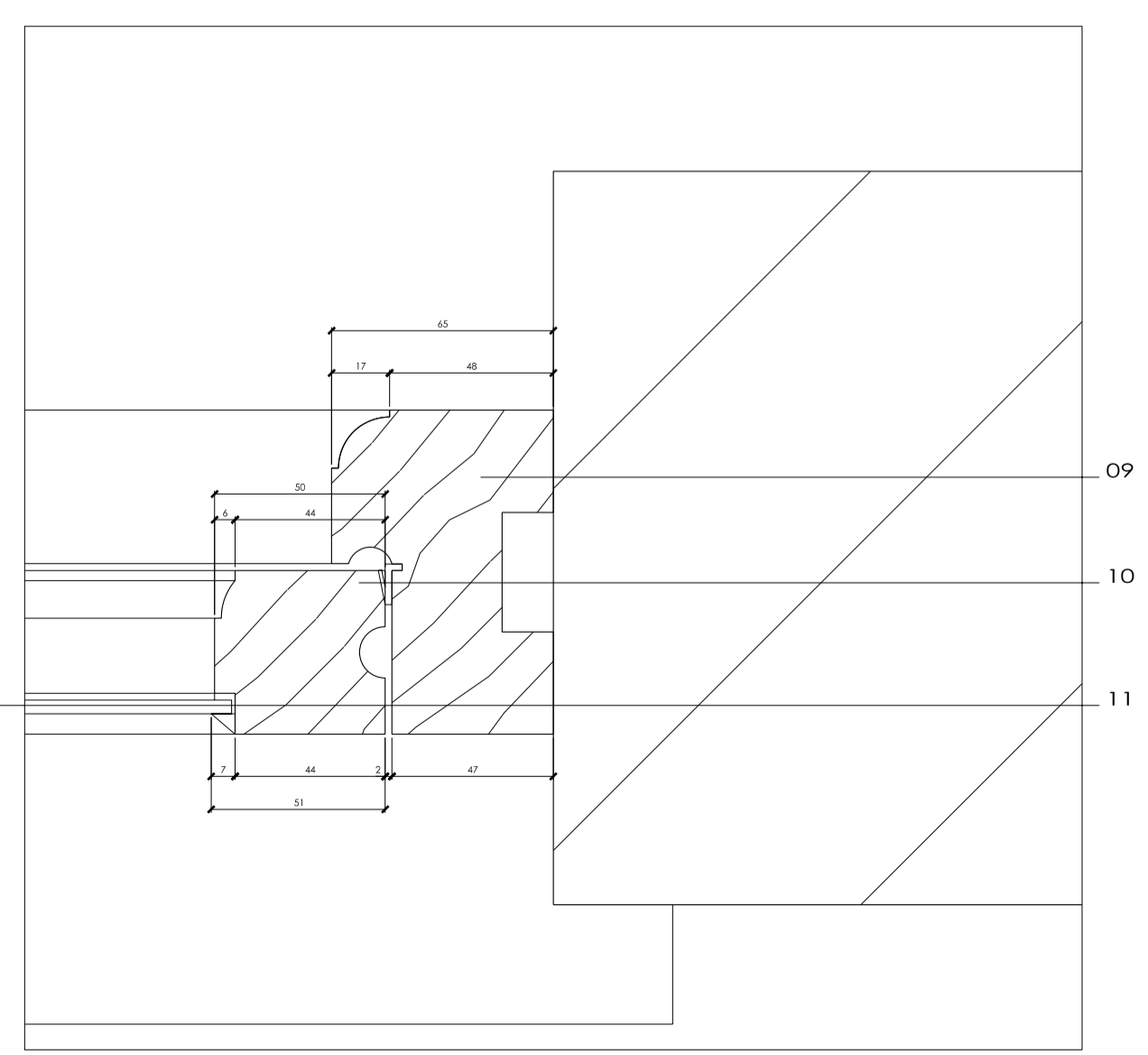
**D-H - SECTION OF DOOR**  
SCALE - 1:2 @ A1



**A - LEFT JAMB WITH OPENING DOOR**  
SCALE - 1:2 @ A1



**B - STILE OF OPENING DOOR**  
SCALE - 1:2 @ A1



**C - RIGHT JAMB WITH OPENING DOOR**  
SCALE - 1:2 @ A1



MR AND MRS MASON  
FOLEY HOUSE  
CONSERVATORY  
JOINERY DETAILS FOR REPLACEMENT DOOR  
PLANNING MAY 2014 1:10 @ A1 RM OF

**1327 AA(0)01 A**