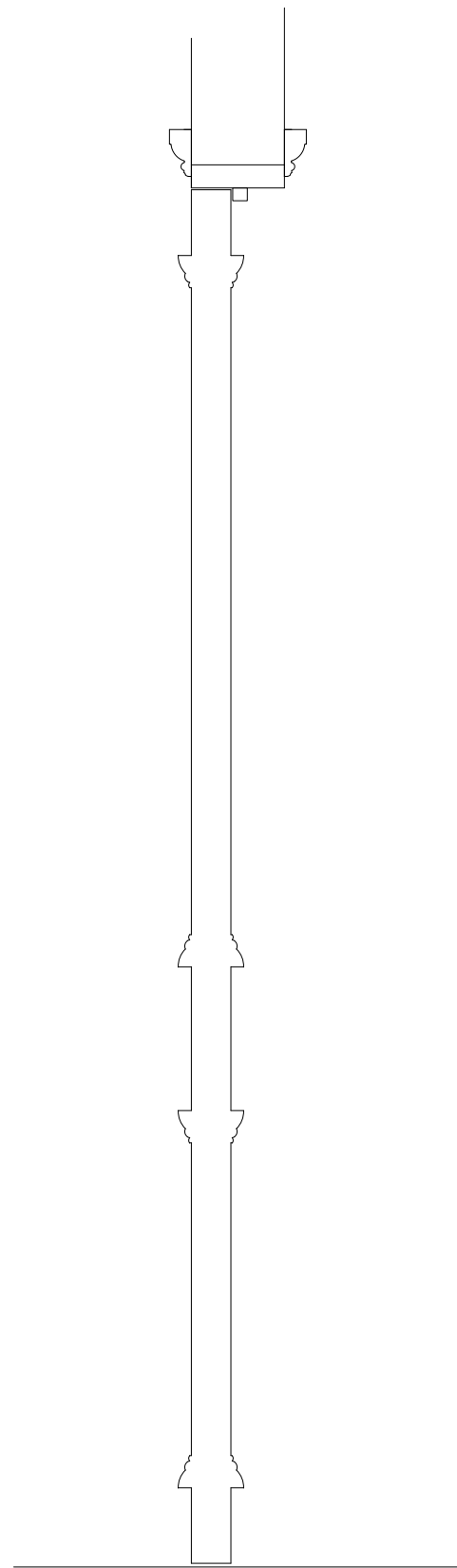


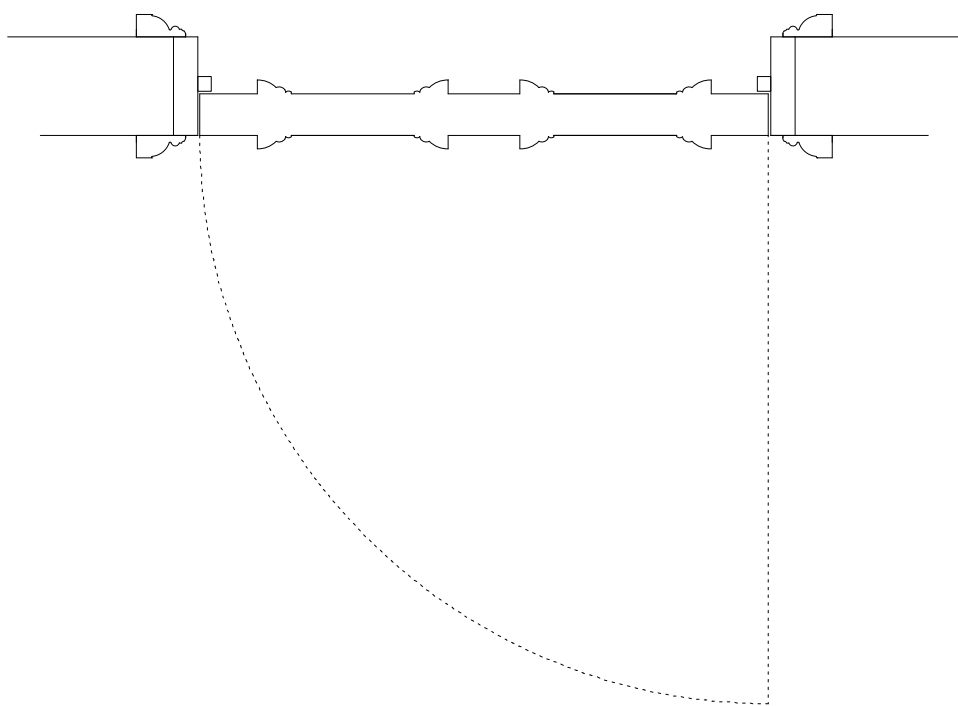
Architrave to match existing on second floor

Four panel timber door and frame, to match existing doors on second floor

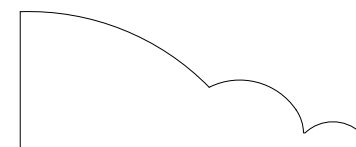
Elevation Viewed From Outside- 1:10



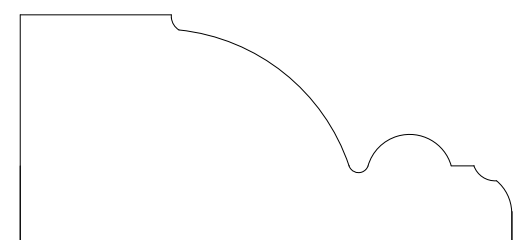
Section- 1:10



Plan- 1:10



Moulding Section- 1:1



Architrave Section- 1:1

Door D02, D03, D04, D05, D11, D12