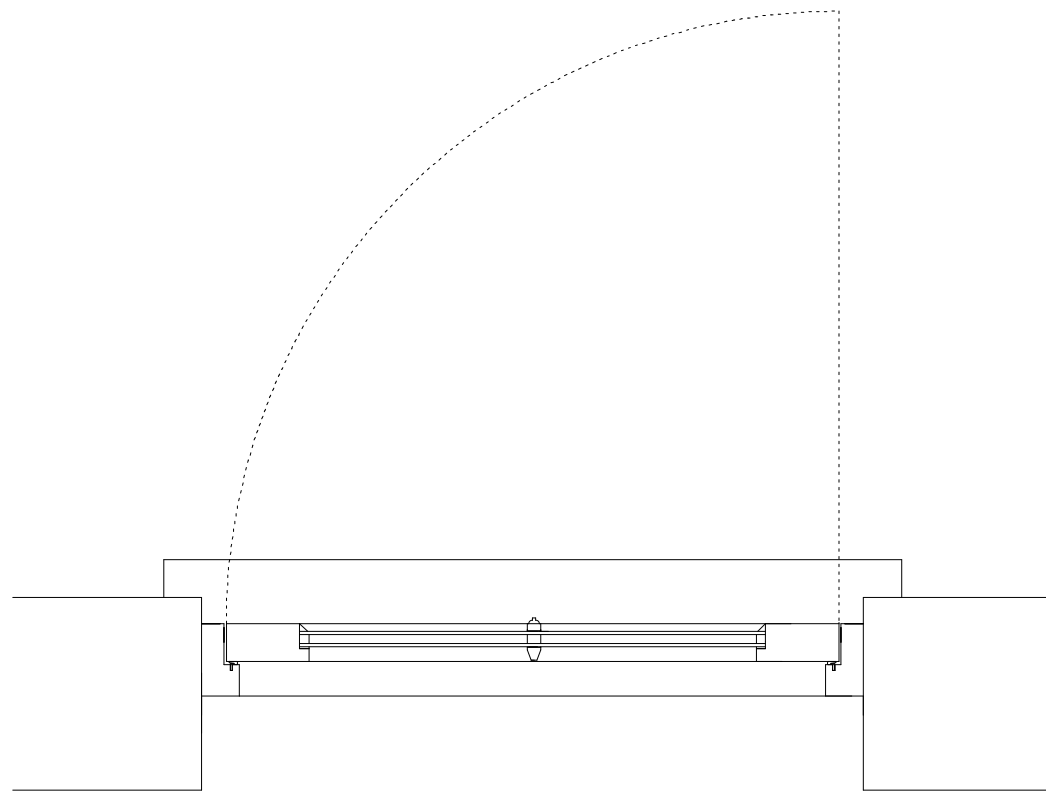
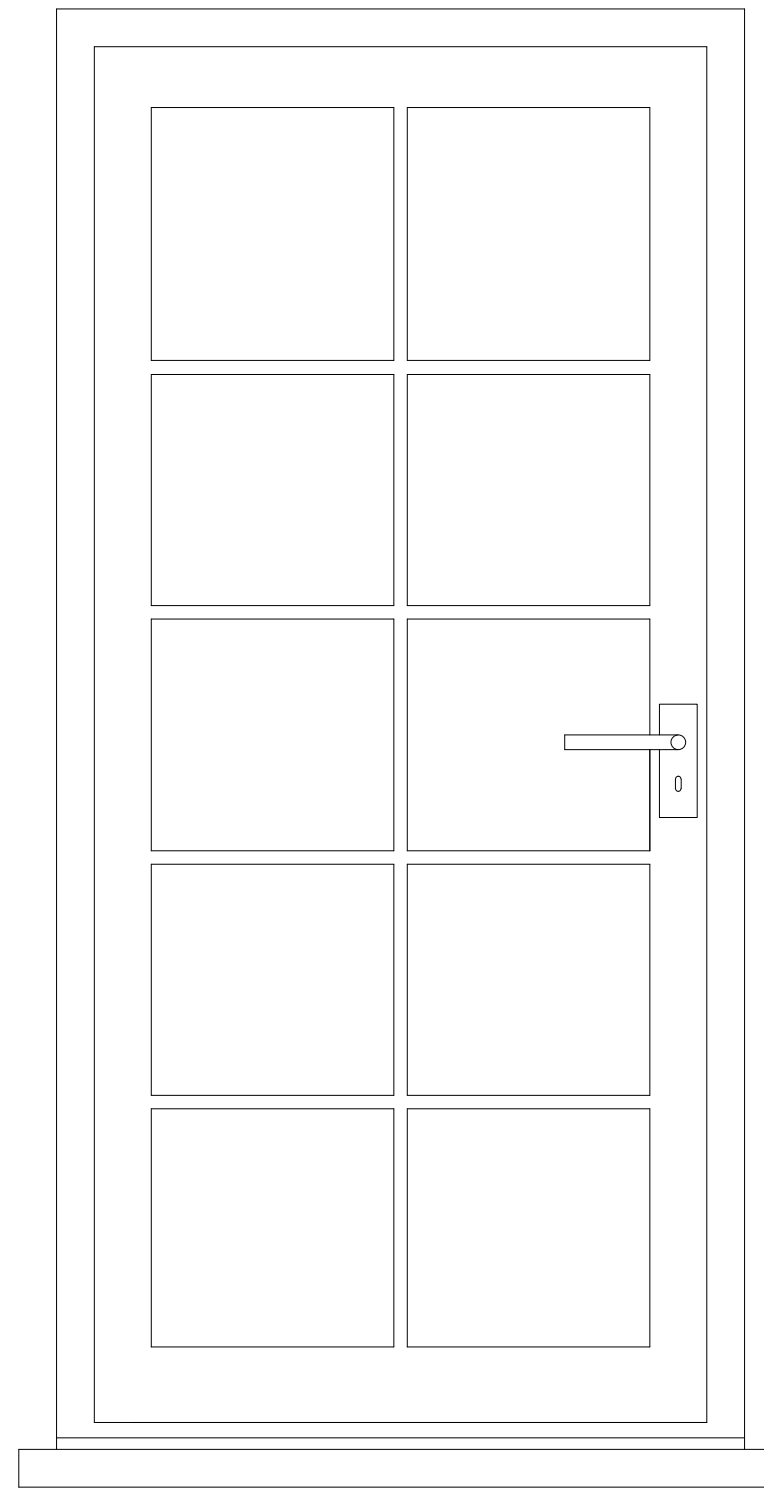


Glazing Bar Detail- 1:1

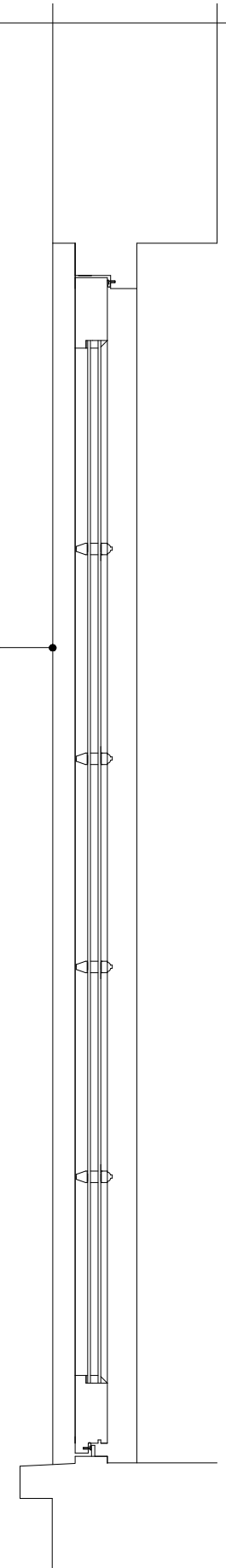


Plan- 1:10



Elevation Viewed From Outside- 1:10

Timber framed door to replace existing UPVC door, double glazed



Section- 1:10

# Door D01