

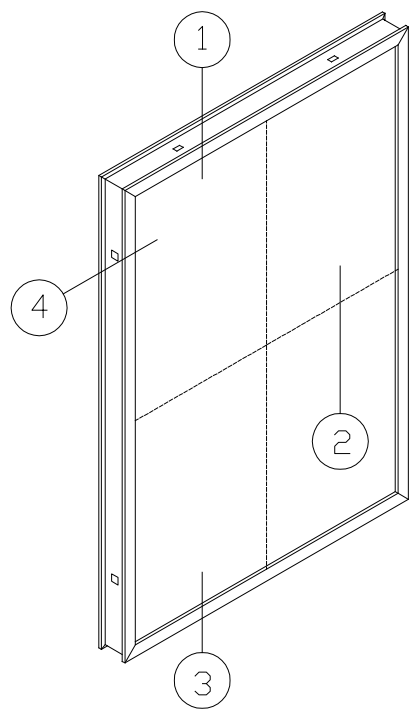
7-8 TUDOR CLOSE, LONDON NW3 4AB PROJECT NUMBER: 1421

Nº	REF.Nº	DRAWING TITLE	CREATED DATE	SCALE	DESCRIPTION	LOGGED BY	XREF FILE NAME	STATUS	COMMENTS
1	LP-01	Location and Block Plan	03-Jul-14	1:1250@A1/1:500@A1		GL		Finished	
2	EPP-01	Existing and Proposed Plan	03-Jul-14	1:100@A3/1:50@A1		GL		Finished	
3	EPFE-01	Existing and Proposed Front Elevations	03-Jul-14	1:100@A3/1:50@A1		GL		Finished	
4	EPRE-01	Existing and Proposed Rear Elevations	03-Jul-14	1:100@A3/1:50@A1		GL		Finished	
5	EPAS-01	Existing and Proposed Section A-A	11-Jul-14	1:100@A3/1:50@A1		GL		Finished	
6	AD-01	Existing and Proposed Window Detail	02-Sep-14	1:1@A3		GL		Finished	
7	D&AS	Design and Access Statement	03-Jul-14	n/a		GL		Finished	
8	CIL	CIL Form	03-Jul-14	n/a		GL		Finished	

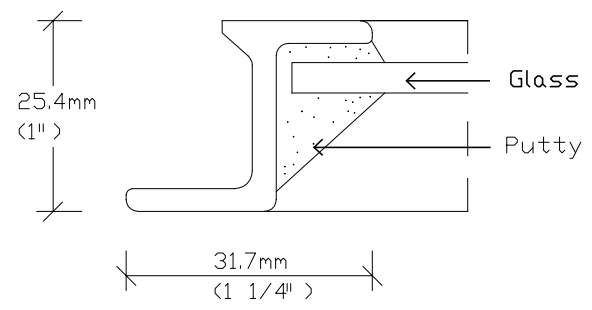
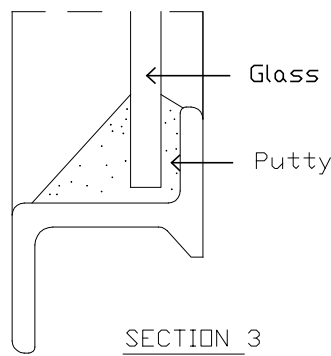
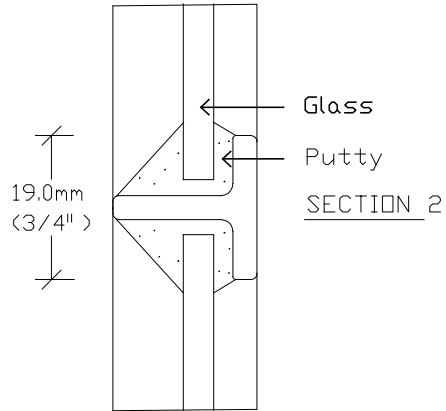
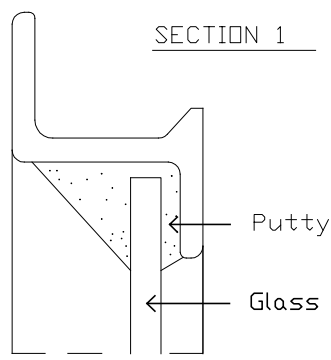
Issue Date/Revision						
03/07/2014	11/07/2014	02/09/2014				

00						
00						
00						
00						
	00					
		00				
00						
00						

	Nº Sets						
In Progress	Distribution List						
Finished	Client	X					
Cancelled	Council	X	X	X			
	Main Contractor						
	Project Manager						
	Sub-contractor						
	Engineer						
	Supplier						
	Suveyor						

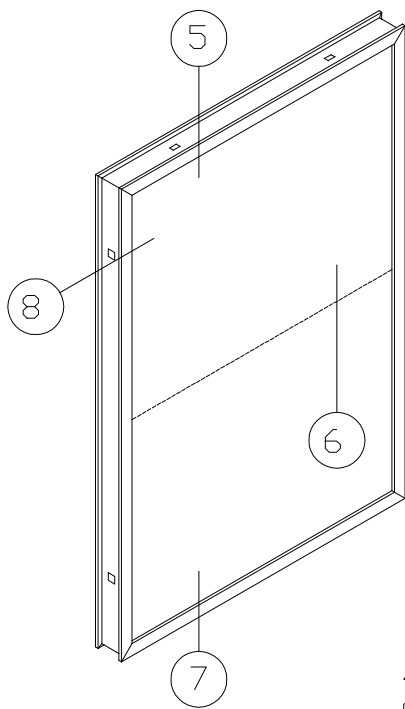
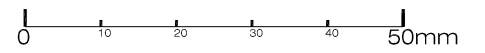


FIXED LIGHT
(REFERENCE)
PUTTY GLAZED

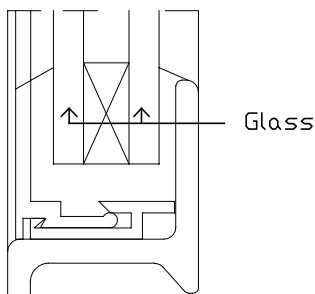
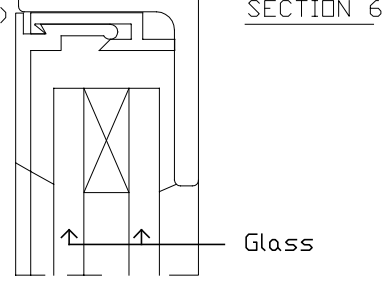
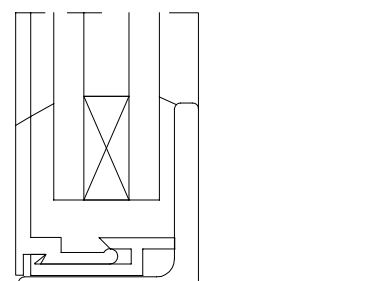
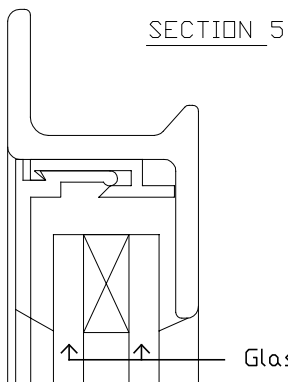


SECTION 4

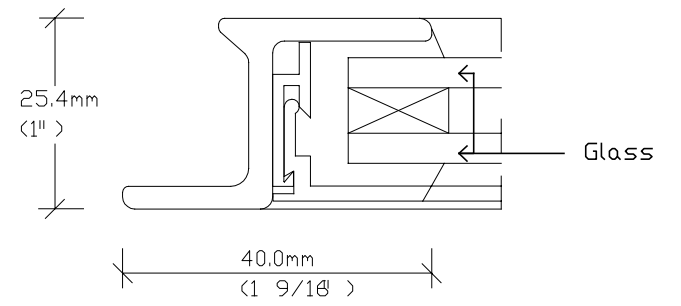
EXISTING WINDOW DETAIL
SCALE 1:2@A3



FIXED LIGHT
(REFERENCE)
DOUBLE GLASS
CRITTALL

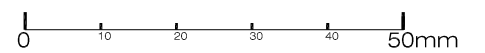


SECTION 7



SECTION 8

PROPOSED WINDOW DETAIL
SCALE 1:2@A3



XUL
ARCHITECTURE

Ground Floor Office
33 Belsize Lane
London NW3 5AS

Office: +44 (0) 207 431 9014

s.sandler@xularchitecture.co.uk

www.xularchitecture.co.uk

PLEASE NOTE:

1. ALL DIMENSIONS TO BE CHECKED ON SITE BEFORE FABRICATION.
2. CONTRACTOR TO REFER TO ENGINEERS DRAWINGS BEFORE PROCEEDING WITH WORKS.
3. ALL DRAWINGS AND DESIGNS ARE COVERED BY DESIGN RIGHT (INTELLECTUAL PROPERTY), AND MAY NOT BE DISTRIBUTED, COPIED OR ISSUED WITHOUT WRITTEN PERMISSION OF XUL.
4. ALL DESIGN CONCEPTS ARE THE SOLE PROPERTY OF XUL AND NO ADAPTATIONS, REPRODUCTIONS OR COPIES MAY BE MADE WITHOUT WRITTEN PERMISSION OF XUL.
5. THESE DRAWINGS ARE SUBJECT TO ANY VARIATION REQUIRED OR RECOMMENDATION BY ANY STATUTORY AUTHORITY, OR FOR THE BETTER CARRYING OUT OF THE WORKS.
6. SAMPLES TO BE PROVIDED BY CONTRACTOR FOR XUL APPROVAL.
7. ALL FINISHES TO XUL SATISFACTION.
8. ALL DRAWINGS TO BE APPROVED BY XUL BEFORE CONSTRUCTION.

ADDITIONAL NOTES:

REVISIONS

No	Date	Description Issue For	Issue By
00	01/09/14	PLANNING	GL

Client
PRIVATE CLIENT

Project
7-8 TUDOR CLOSE
London, NW3 4AB

Title
EXISTING AND PROPOSED
DETAILS IN WINDOWS

Scale: 1:2@A3 Dwg. No.: AD-01 Rev.: 00

Date: 01/09/14

Drawn: GL Project Number: 1421

Checked: SS