



Fortnum & Mason Beehives
at St Pancras International

LHC/002: Layout Plan

Scale: 1:50 @ A3 (taken
from pdf supplied)

Date: 11/08/14

Drawn By	Date	Approved By	Date
BR	16-05-14		
Checked By	Date	Project Manager	Date
Reference	Project Director		

**FOR DISCUSSION
AND REVIEW**



HS Limited
12th Floor
One Euston Square
40 Euston Street
London WC1N 2JF
Tel: 020 7553 2700
www.highspeed.co.uk

**ST PANCRAS STATION
BARLOW SHED
WEST TOWER
LOCATION OF BEEHIVES**

Original Scale	Original Size
1:50	A3

100-DHA-HISP1-00118-00

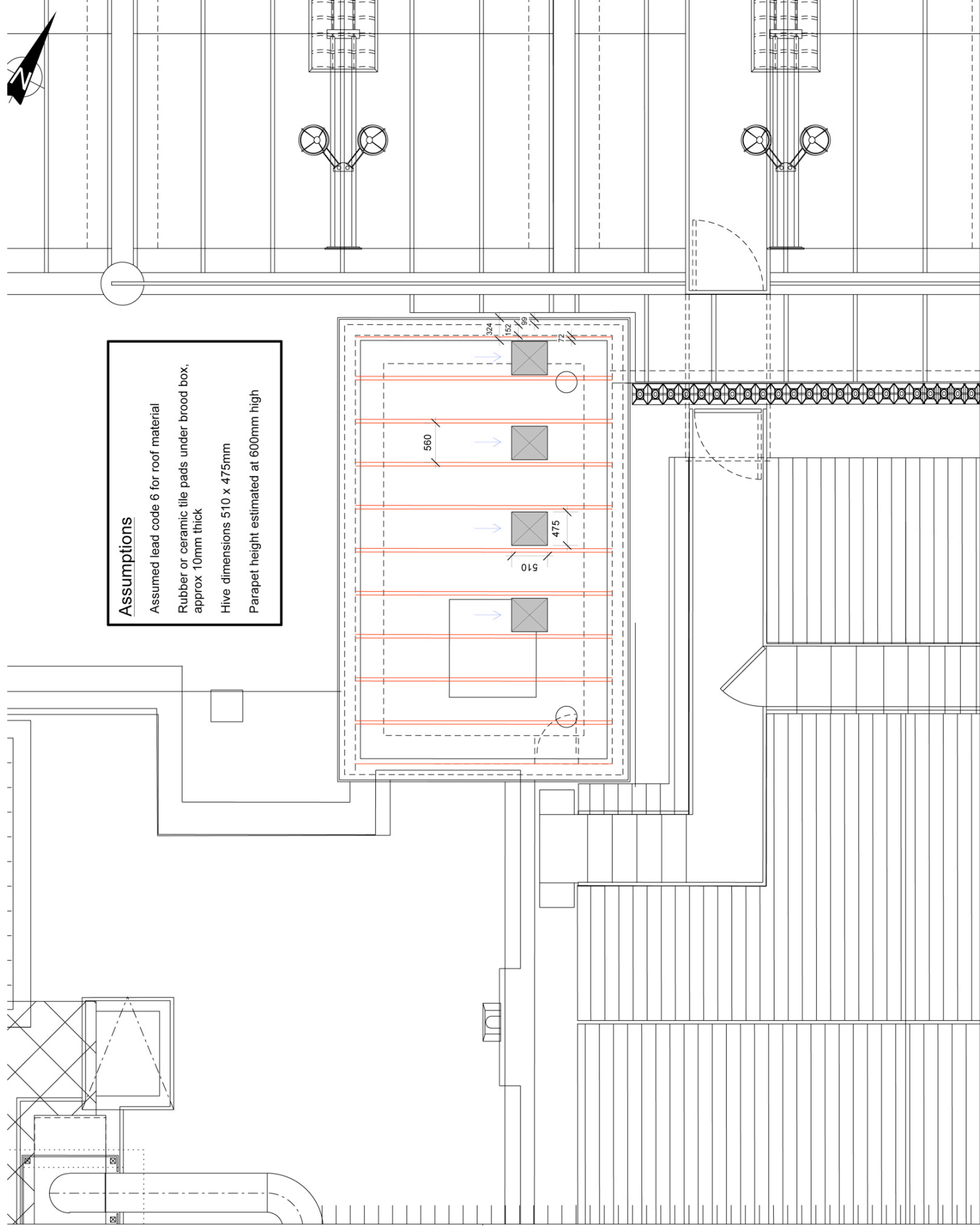
Assumptions

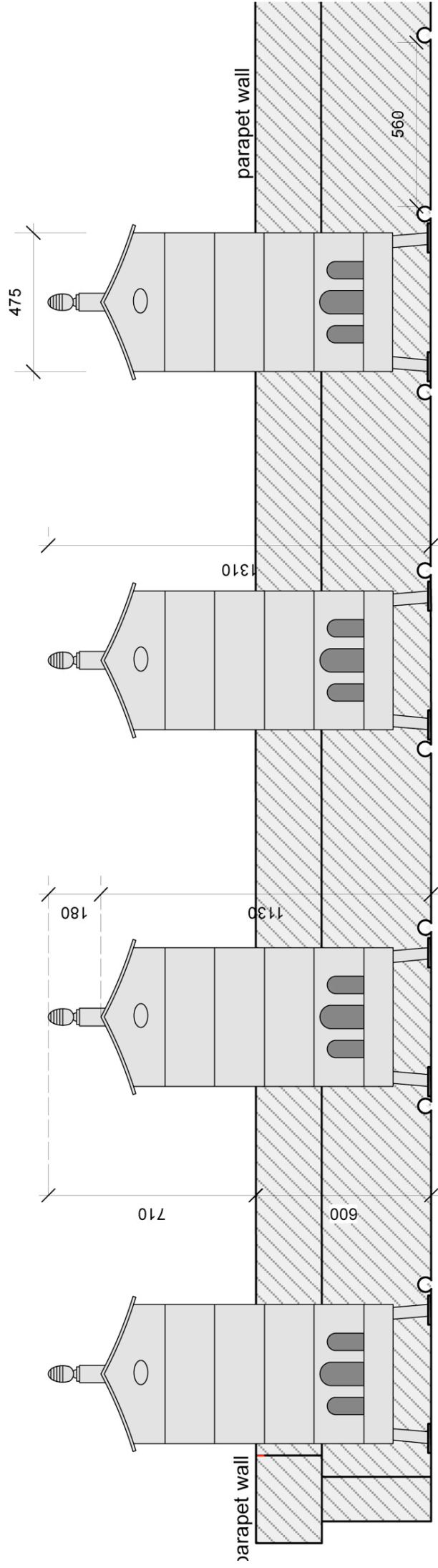
Assumed lead code 6 for roof material

Rubber or ceramic tile pads under brood box,
approx 10mm thick

Hive dimensions 510 x 475mm

Parapet height estimated at 600mm high





The London Honey Co

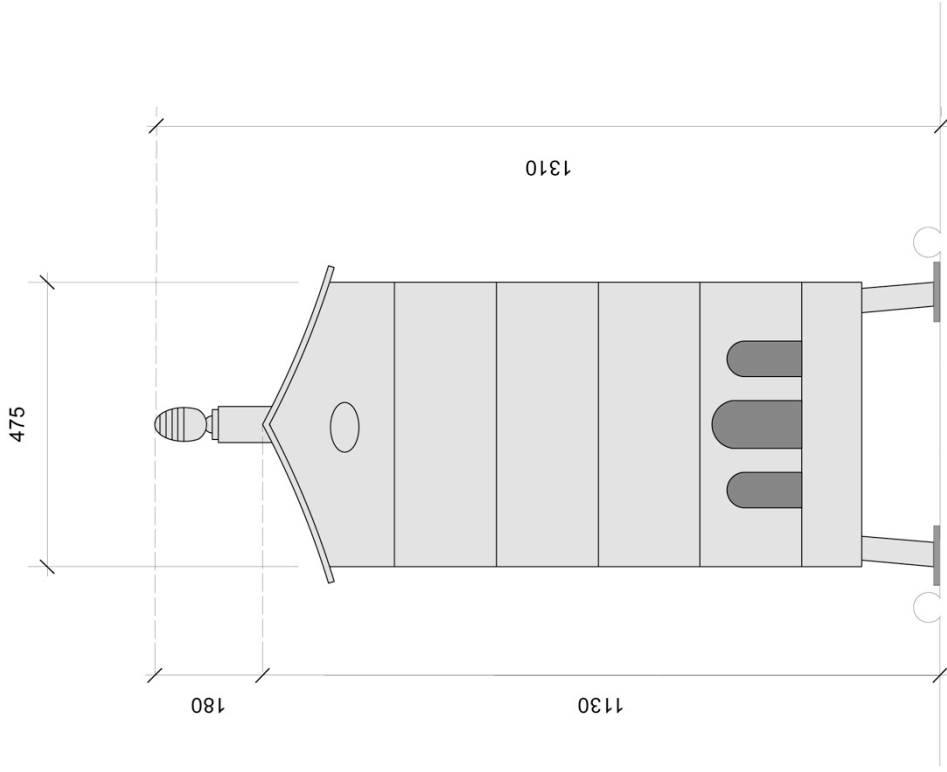


**Fortnum & Mason Beehives
at St Pancras International**

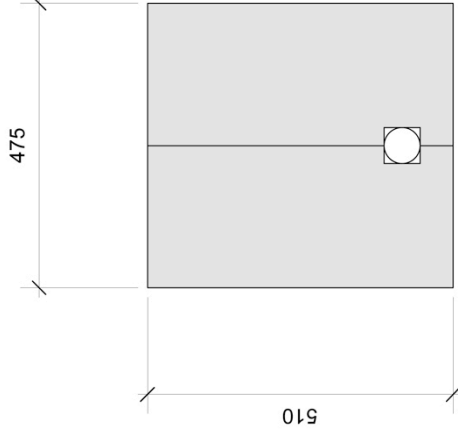
LHC/003: Elevation showing
hives in relation to parapet
wall

Scale: 1:20 @ A4

Date: 14/08/14



FRONT ELEVATION @ 1:10 SCALE



PLAN VIEW @ 1:10 SCALE



3D IMPRESSION OF HIVE

