

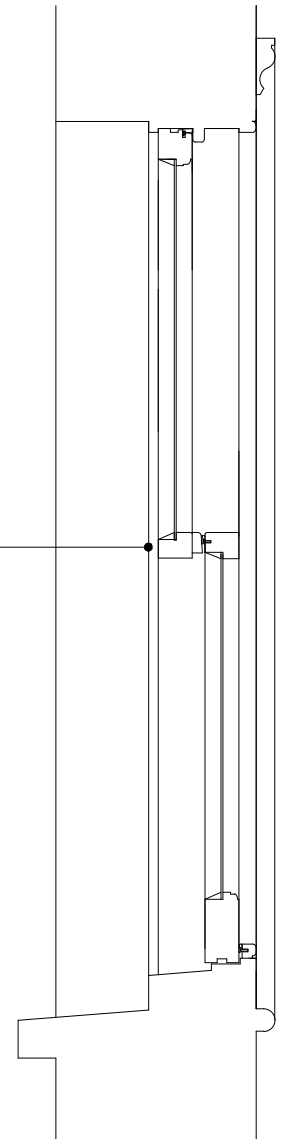
Elevation Viewed From Outside- 1:10

Timber framed sliding sash window, single glazed

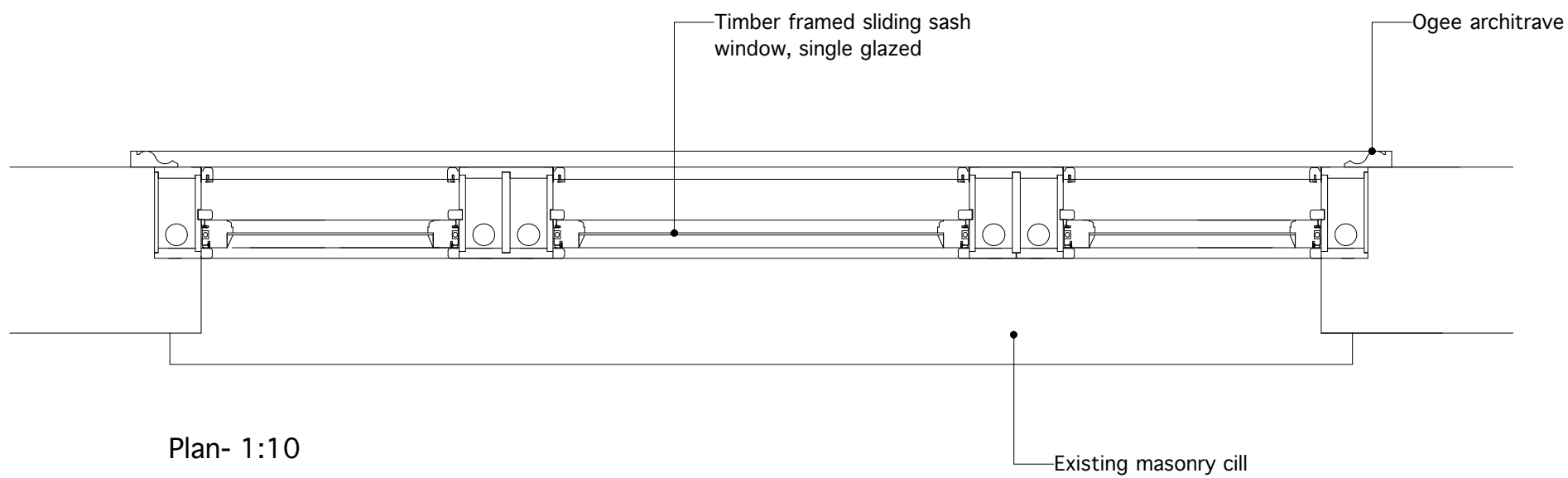
Timber framed sliding sash window, single glazed

Lower window section to provide fire escape minimum clear opening area- 0.33m²

Existing masonry cill



Section- 1:10

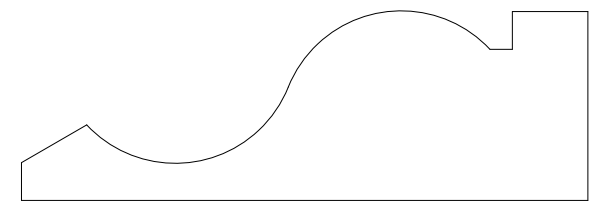


Plan- 1:10

Timber framed sliding sash window, single glazed

Ogee architrave

Existing masonry cill



Architrave Section- 1:1

Window W01