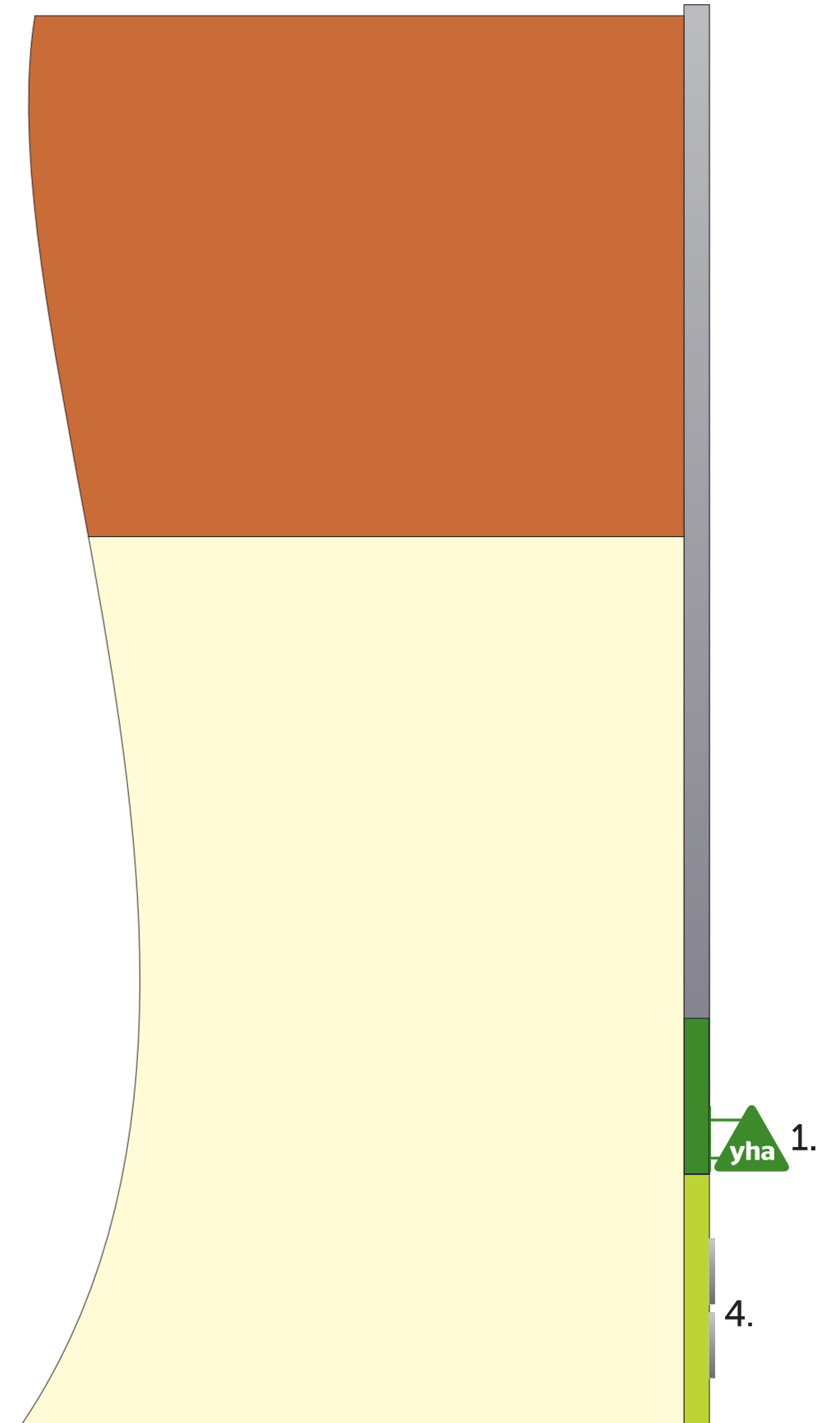
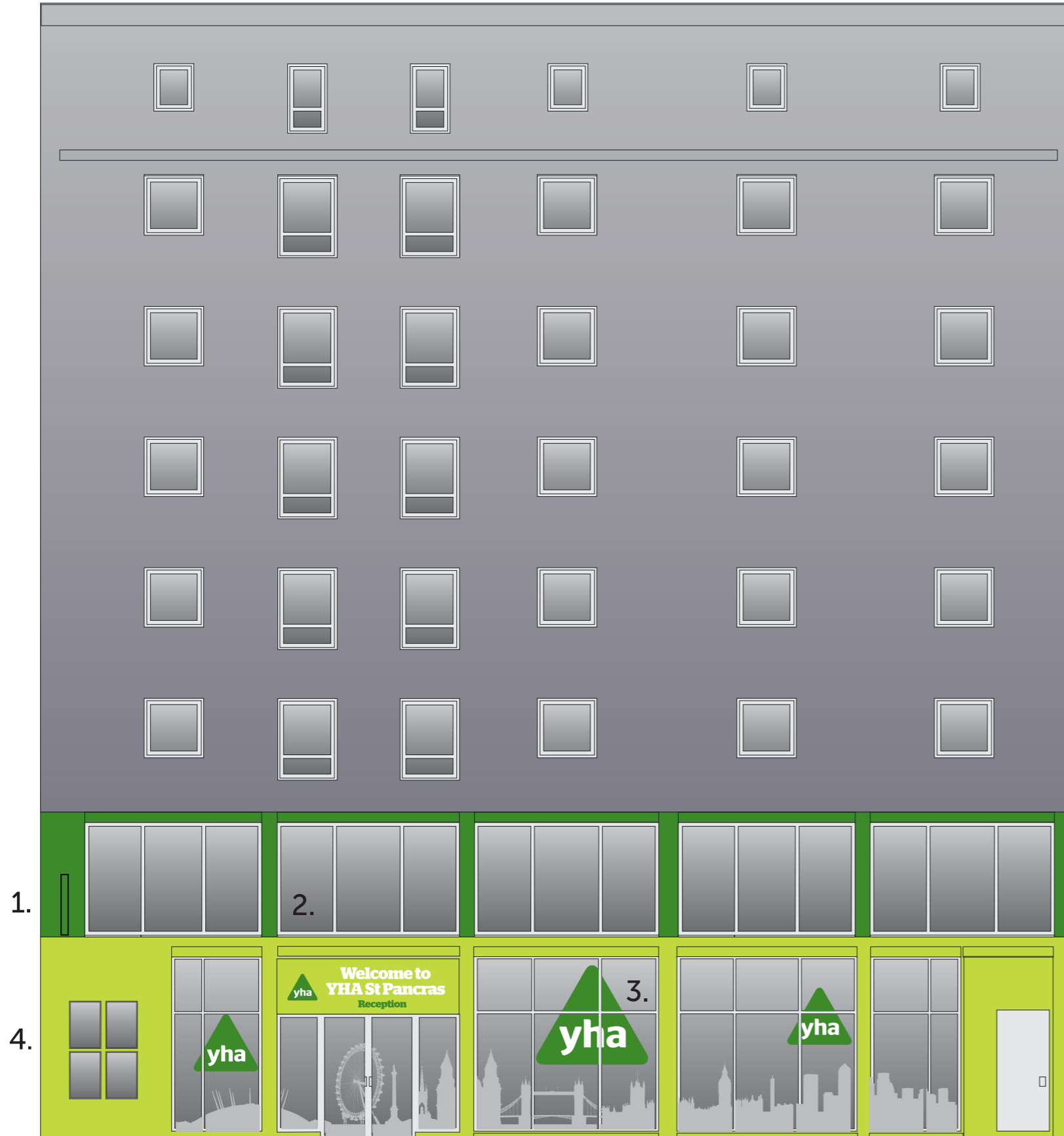


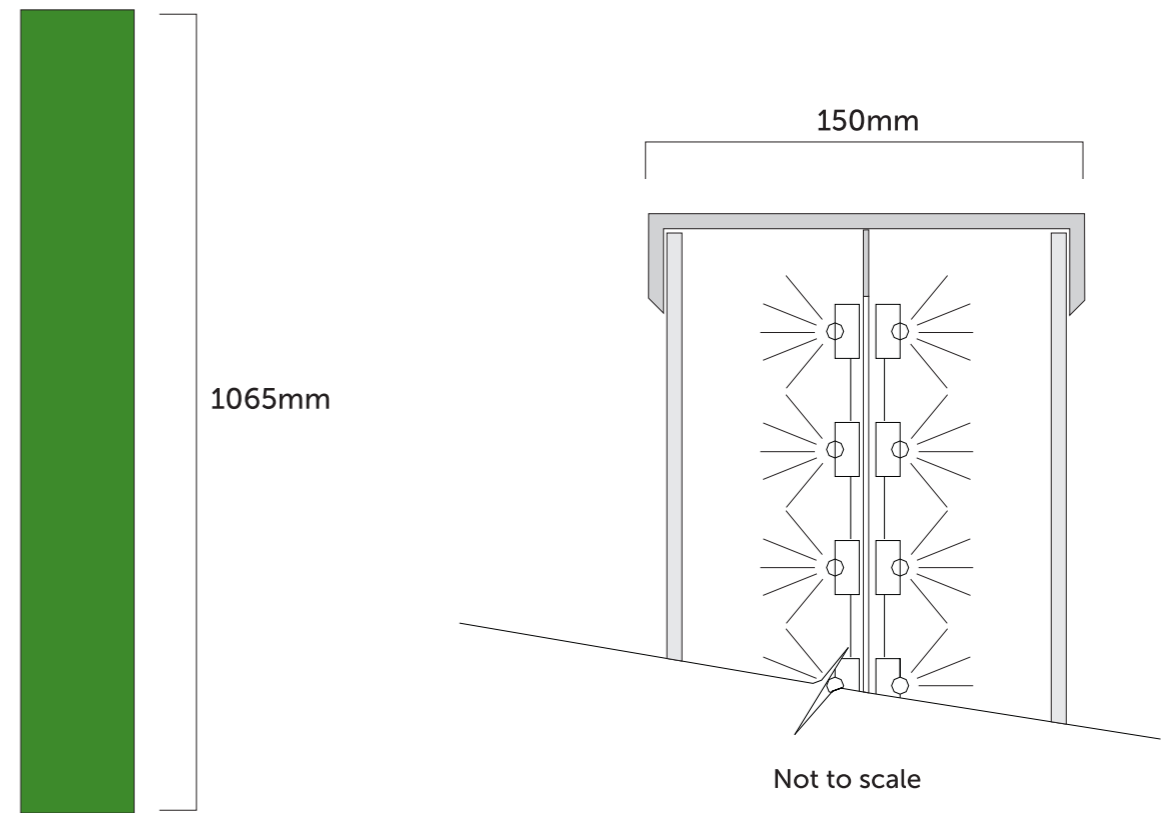
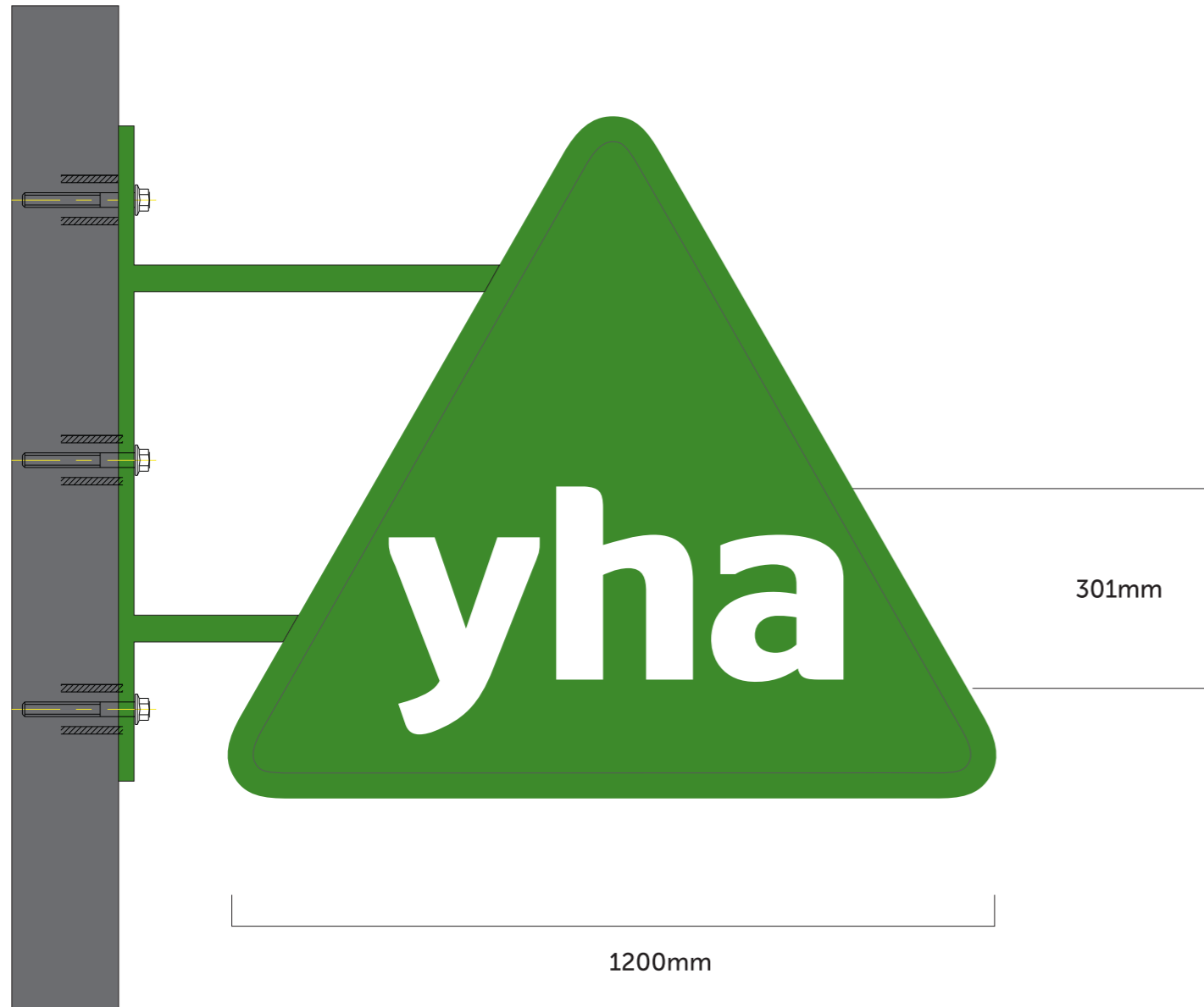
1. Projecting triangular logo
2. Signtray above entrance
3. Window graphics
4. A0 LED lit poster displays

Re-paint to be carried out by outside contactor

Colours matched to Pantone on this PDF

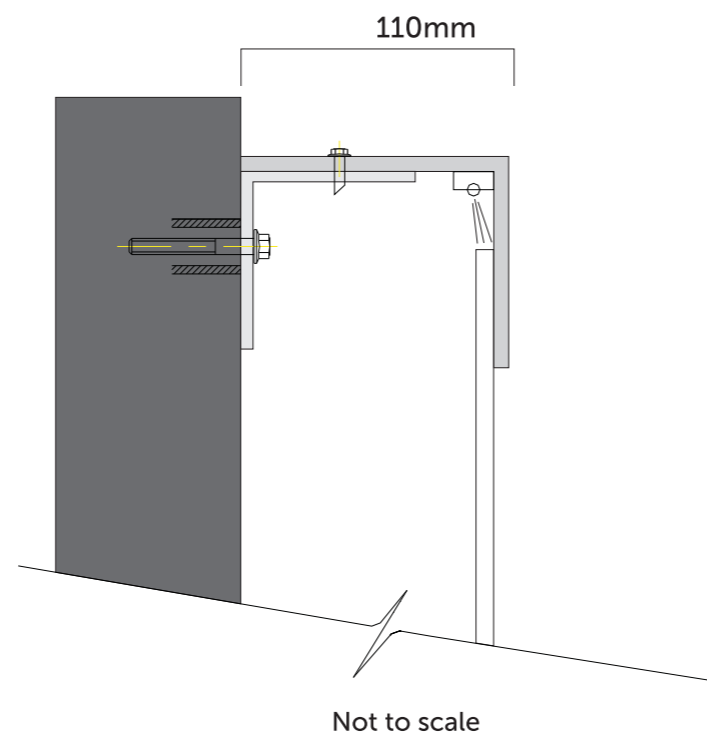
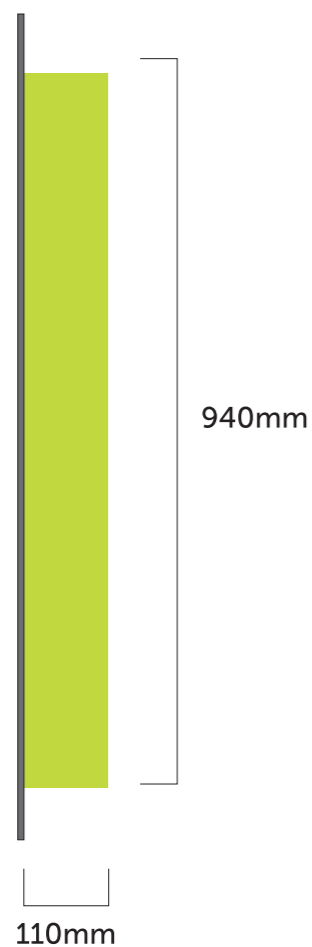
Drawing ref: YHASP01





**Double sided projecting logo**

- Material: 2mm Mill Finished Aluminium
- Rims: 50mm
- Return Depth overall: 150mm
- Dimensions: 1200mm x 1065mm
- Projection arm length: approx 200mm - 600mm (larger at top of triangle)
- Colour: Powder coated to a single RAL match to Pantone 363
- Paint Finish: Semi Gloss
- Base plate dimensions/thickness: 1200mm x 150mm
- Framework Material: 75mm x 50mm Mild Steel Box
- Backer material/ thickness: 3mm Opal 050 Perspex
- Vinyl Detail: Translucent green vinyl with stencil cut wording applied to opal face(s)
- Illumination via Eco-LED's, 12v outdoor rating.



**Single sided wall mounted signtray**

- Material: 2mm Mill Finished Aluminium
- Return Depth overall: 110mm
- Dimensions: 3555mm x 940mm
- Colour: Powder coated to a single RAL match to Pantone 382
- Paint Finish: Semi Gloss
- Stencil cut letter / thickness: 3mm Opal 050 Perspex
- Illumination via Eco-LED lightsheet stencil cut opal Perspex letters, 12v outdoor rating

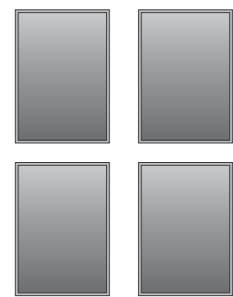
Existing facade

Drawing ref: YHASP04

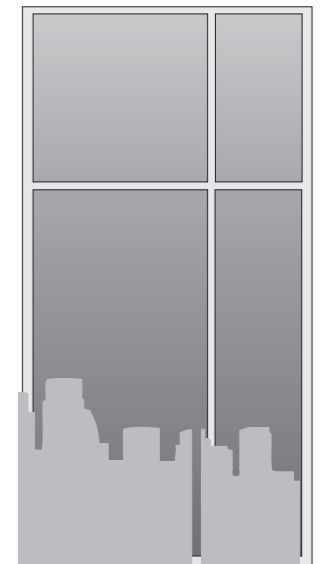
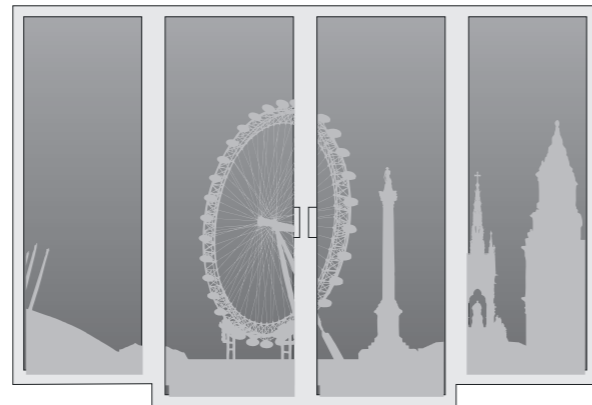
Other advertisement(s) / graphics



Not to scale



4no A0 LED backlit poster display units approx 100mm returns flat to facade wall



Window graphics, silhouette city skyline to be frosted effect vinyl and 3no full colour vinyl logo's applied to inside of glazing panel