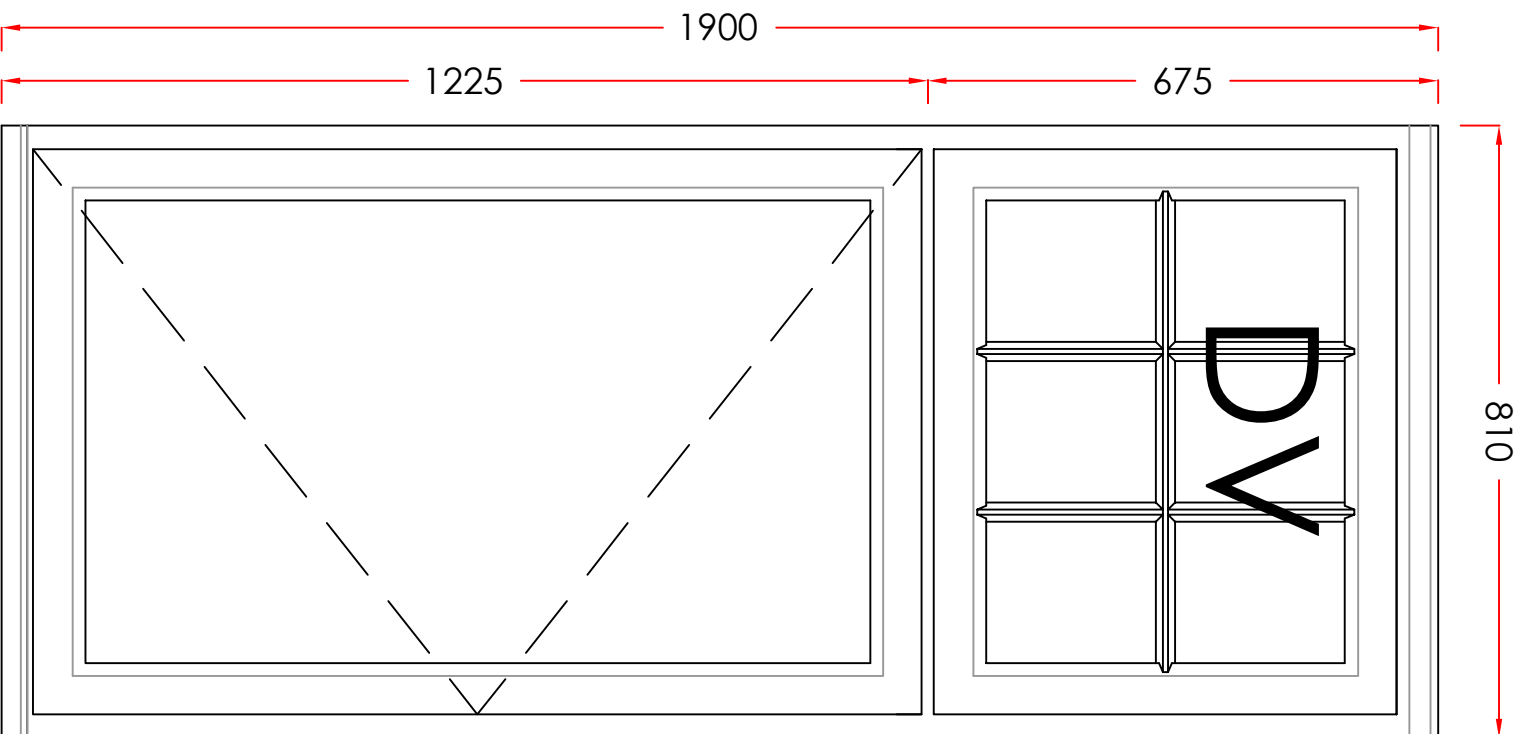
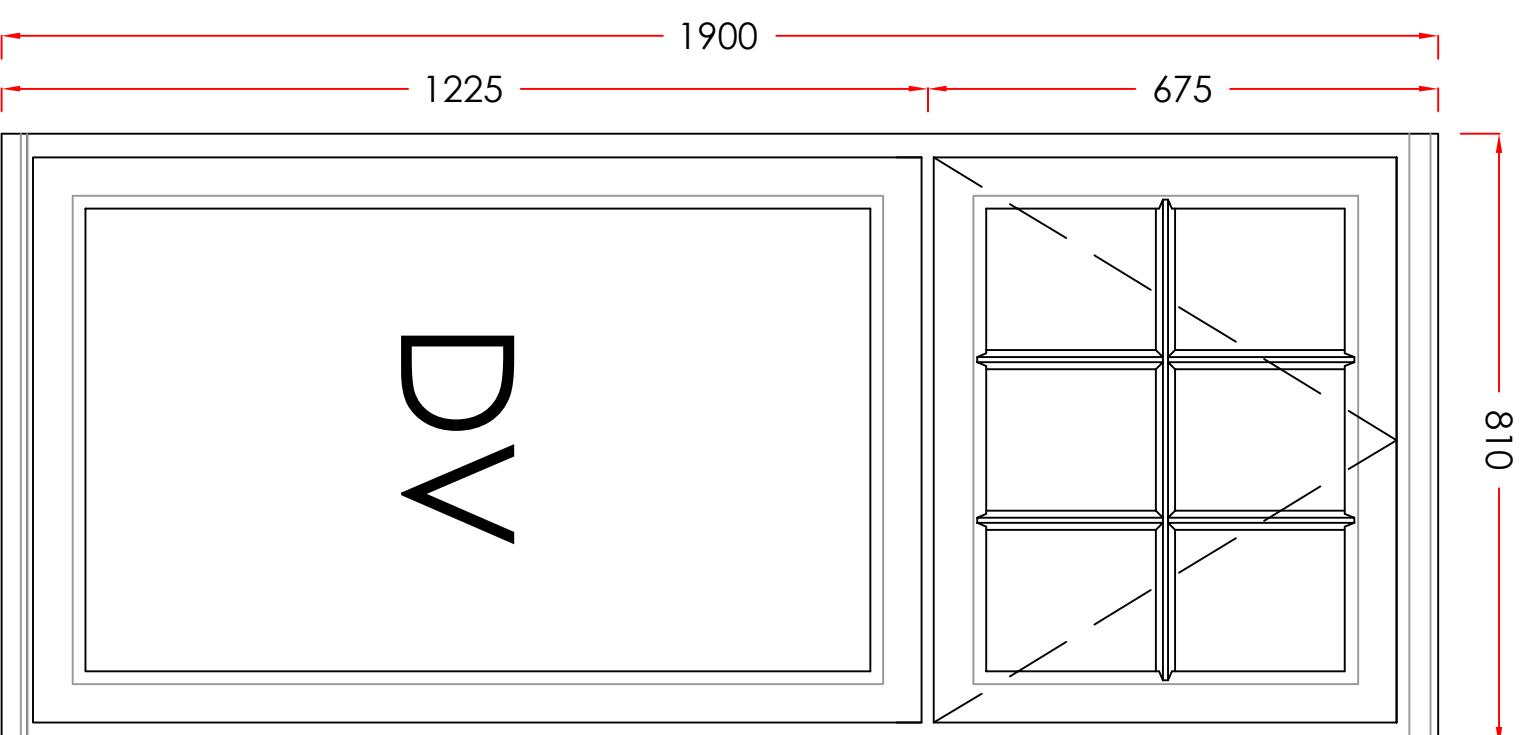


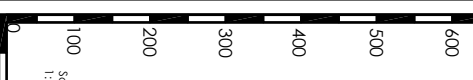
7. LOUNGE BAY



8. LOUNGE BAY



9. LOUNGE BAY



VIEWED EXTERNALLY

Scale - 1:10

(Produced on A3 Paper)

Sheet 5 Of 6

Drawers Initials:

SF

CONTRACT No.: 30045879

date: 17/09/2014

PROPOSED: WINDOW REPLACEMENT

AT:

FLAT 2

24 BRACKNELL GARDENS

LONDON

NW3 7ED

FOR:..... MRS. BOLANDRINI

