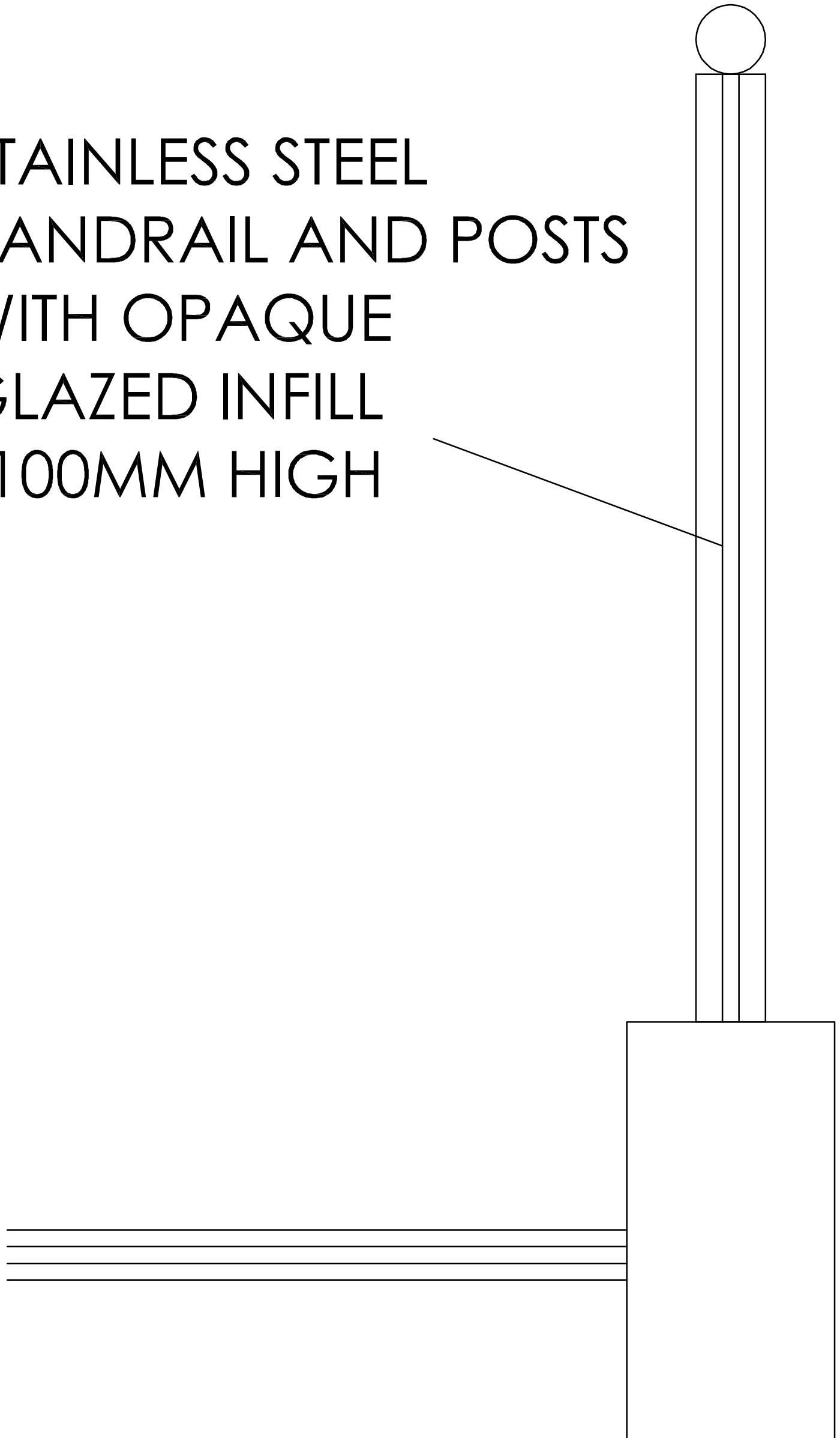


STAINLESS STEEL HANDRAIL AND POSTS WITH OPAQUE GLAZED INFILL 1100MM HIGH



REVISIONS		
Rev	Date	Detail
-	-	-

NOTES:
1. ALL DIMENSIONS TO BE CONFIRMED ON SITE
2. DRAWINGS TO BE READ IN CONJUNCTION WITH SPECIFICATION AND ENGINEERS' DRAWINGS.

Date: 23-09-2014 Drawn By: TMD

TITLE:
PROPOSED TERRACE GUARDING
32 SHERRIFF ROAD
LONDON NW6 2AU

Scale: 1:5 (A3) Revision: A

DRAWING:
TERRACE GUARDING
SECTION

Dwg No.: 32 SRF - 401