

# slimlite Double Glazed Units BS EN 1279 Certificate

Double Glazed Units  
Slimlite



Timber Georgian Sash and Case with Super Slimlite Double Glazed Units with 6mm, 8mm or 10mm cavity will comply with Document L for total overall window UValue 1.6 (See section detail).

**Building Regulations Document L 2010 England.**  
Effective 1 October 2010

**Section 6 (Energy) 2010 Scotland.**  
Effective 1 October 2010

**Timber New Build or Replacement windows are required to have an overall total window U Value not exceeding 1.6.**

**Listed Buildings are exempt from this provision.**

#### **City Of Edinburgh - Listed Buildings**

Edinburgh City Council, Historic Scotland and Edinburgh World Heritage have approved the use of Slimlite Double Glazed Units for A Listed and B Listed Buildings in Edinburgh which has the largest stock of Listed Buildings of any City in the UK except London.

“ It is not often that I get completely blown away by a building product, but I find this absolutely extraordinary, looks like a single pane of glass ”

Kevin McCloud - Grand Designs 2009.TV

Granted UK Patent Slimlite®

## SashGlass Ltd

1, Royal Buildings, The Strand, Deal Kent CT14 7HD  
Tel 01304 369 988 Fax 01304 379 881 Email. info@sashglass.co.uk



## slimlite Double Glazed Units

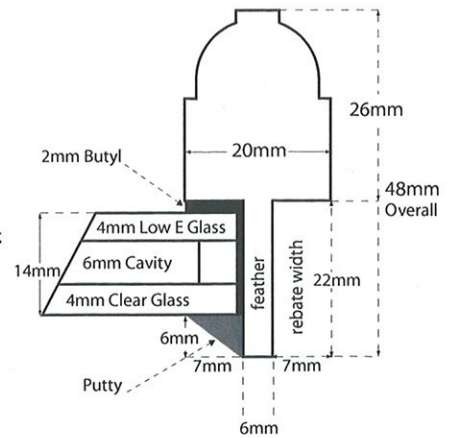
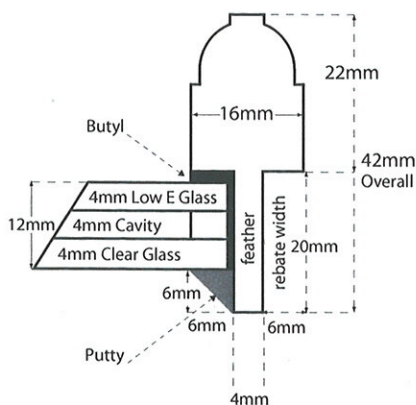
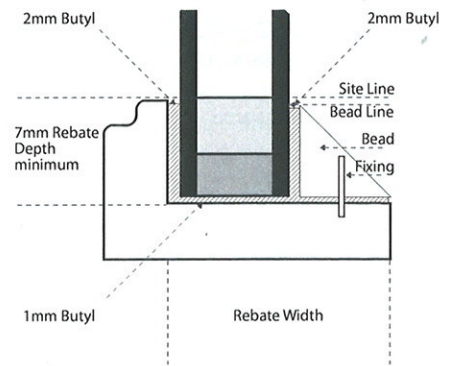
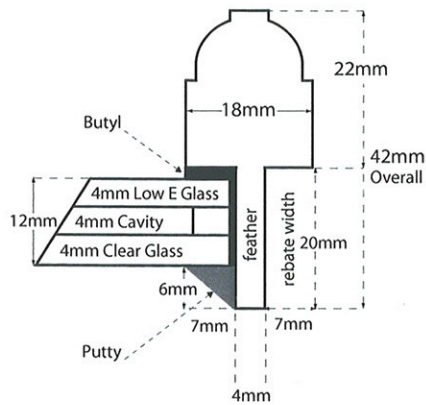
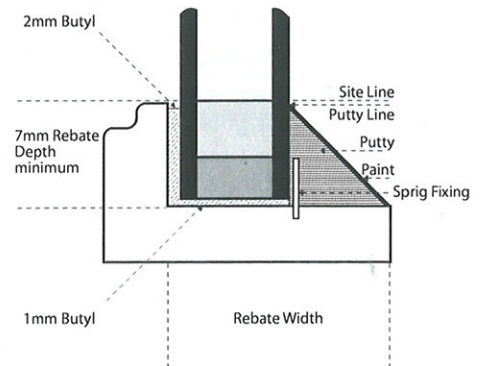
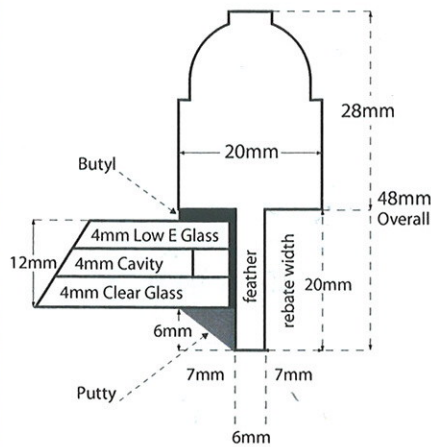
### slimlite Plus

- Standard Cavity Widths: 3.0mm - 4.0mm - 5.0mm - 6.0mm

### slimlite Super

- Standard Cavity Widths: 6.0mm - 8.0mm - 10.0mm
- Standard overall Perimeter Seal Depth - 5.0mm (overall tolerances + or - 1mm)
- Minimum timber rebate depth - 7.0mm

Section Standard astragal or glazing bars with Slimlite (not to scale)



Overall window U Value 1.6

### Note

Glazing sizes should be less 2mm from height and 2mm from width. Allowance should be made where frame sizes are irregular.