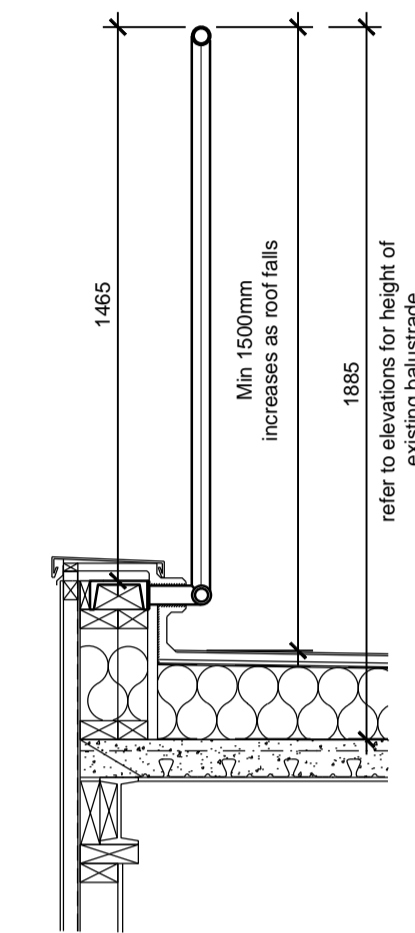
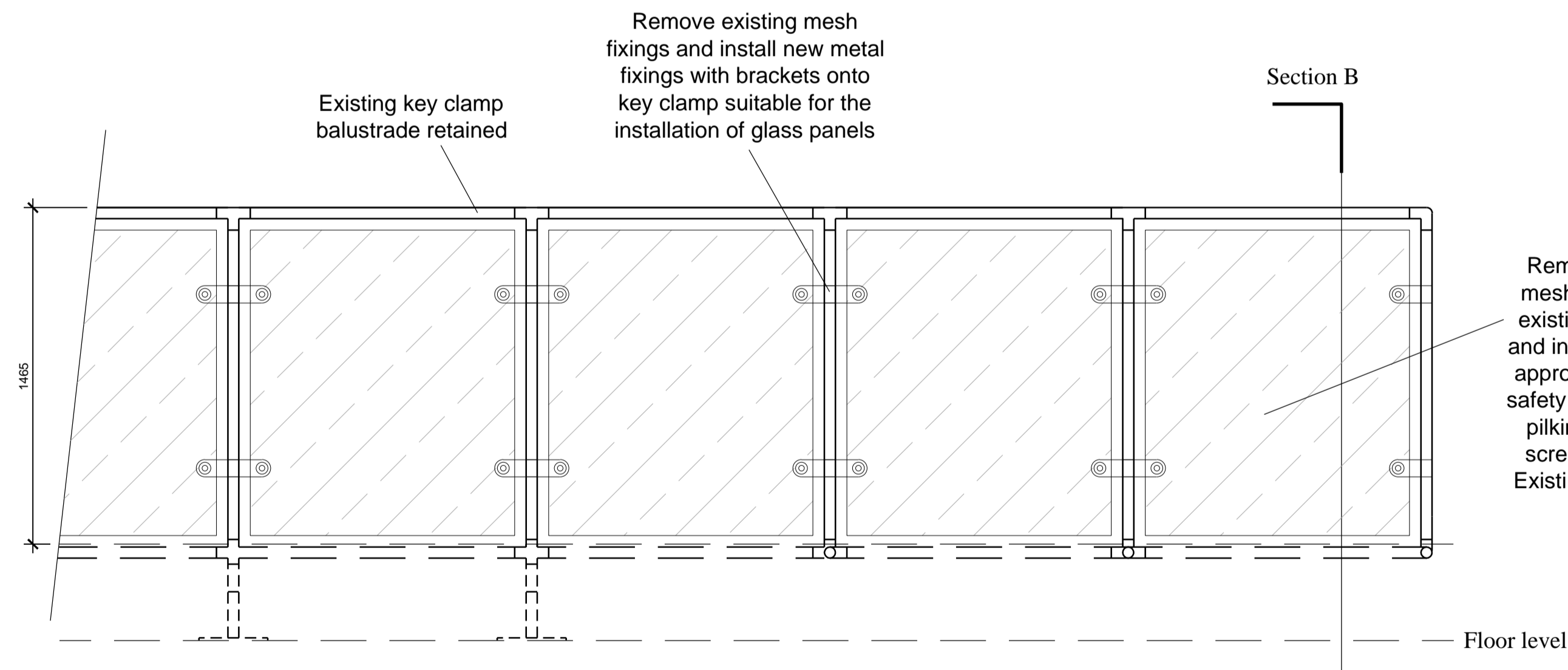


Typical Existing Detailed Elevation of Mesh Balustrade
1:20

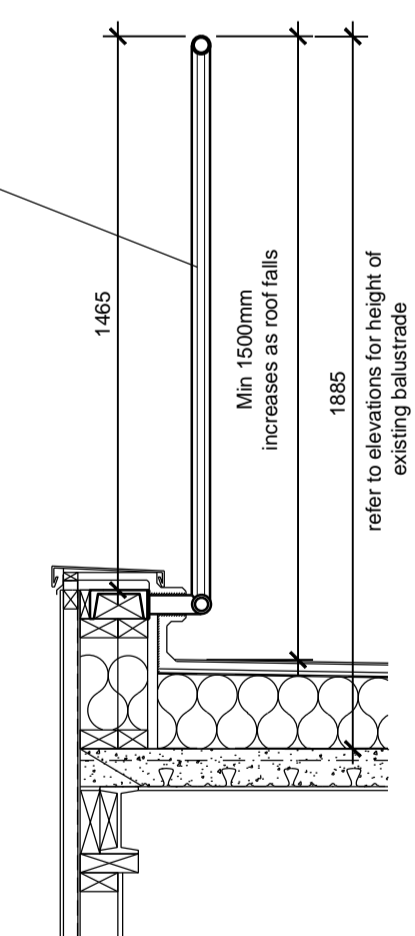


Existing
Section A-A
1:20



Typical Proposed Detailed Elevation of Glass Balustrade
1:20

Remove existing mesh inserts from existing key clamp and install Pilkington approved structural safety glass fixed via Pilkington glazed screen system to Existing Balustrade frame



Proposed
Section B-B
1:20

DWA ARCHITECTS



DWA Architects Ltd
Riverside House
1 St Mary's Court
York
YO24 1AH
Telephone 01904 544400
Facsimile 01904 544449
Email york@dwa-architects.co.uk
Website www.dwa-architects.co.uk



Client
Abbeycare Ltd/Lifestyle Care

Project
Proposed Additional Floor at St. John's Wood Care Centre,
Boundary Road

Drawing Title
Existing and Proposed
Balustrade Details

Scale 1:20 @ A1 Date April 2014
Drawn by DJR Checked by

Job No. L3075 Drawing No. 77 Rev. -