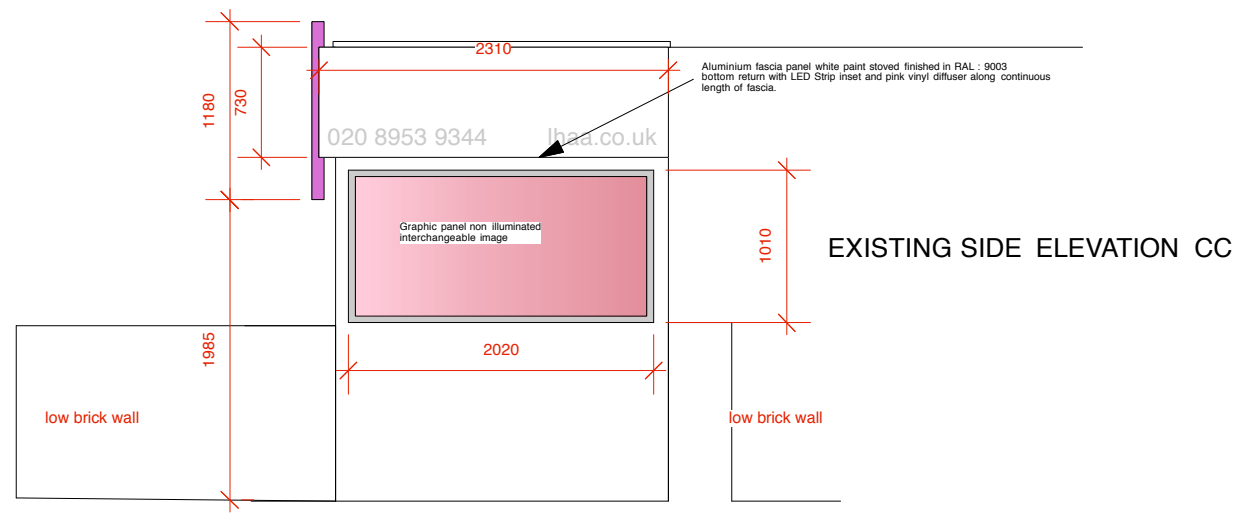
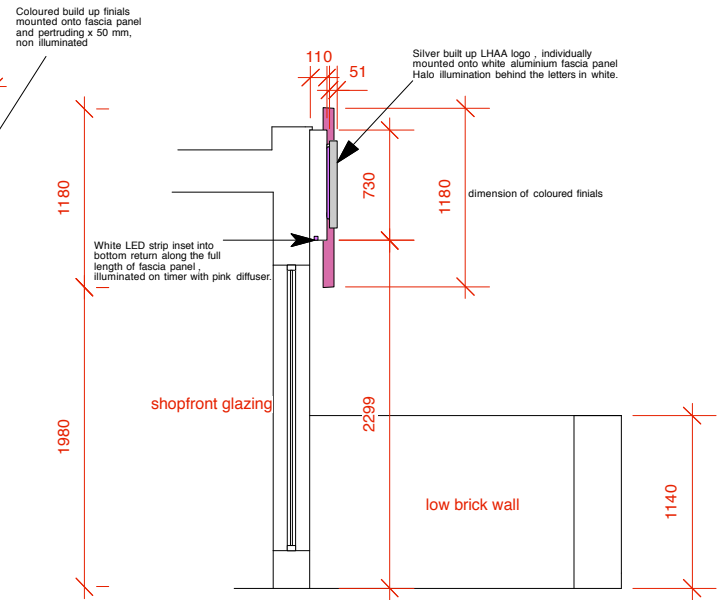
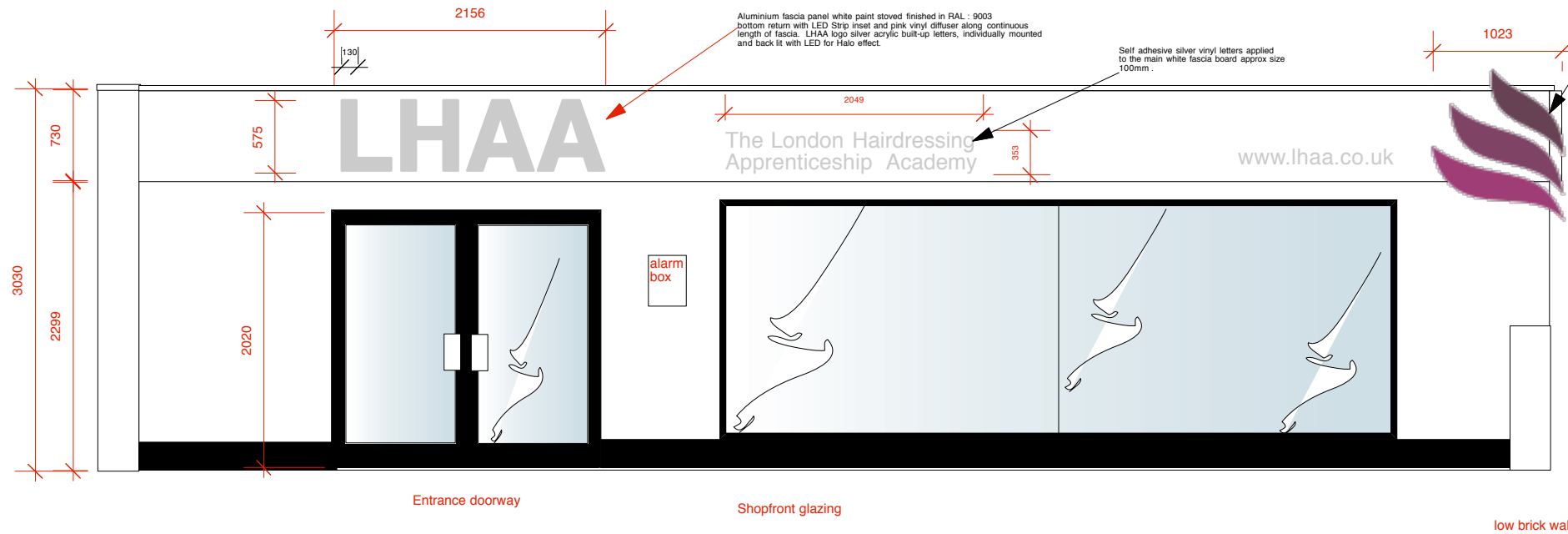
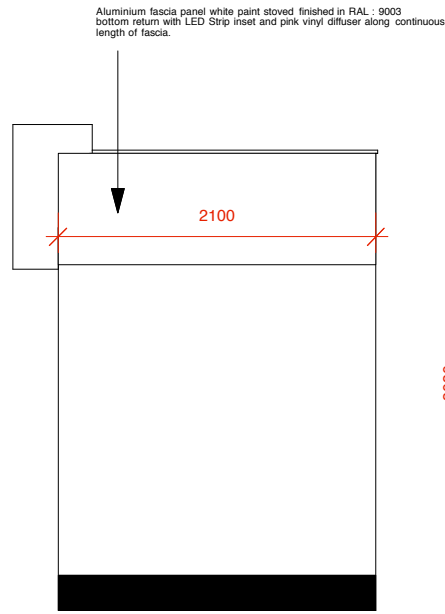




SHOPFRONT VISUAL



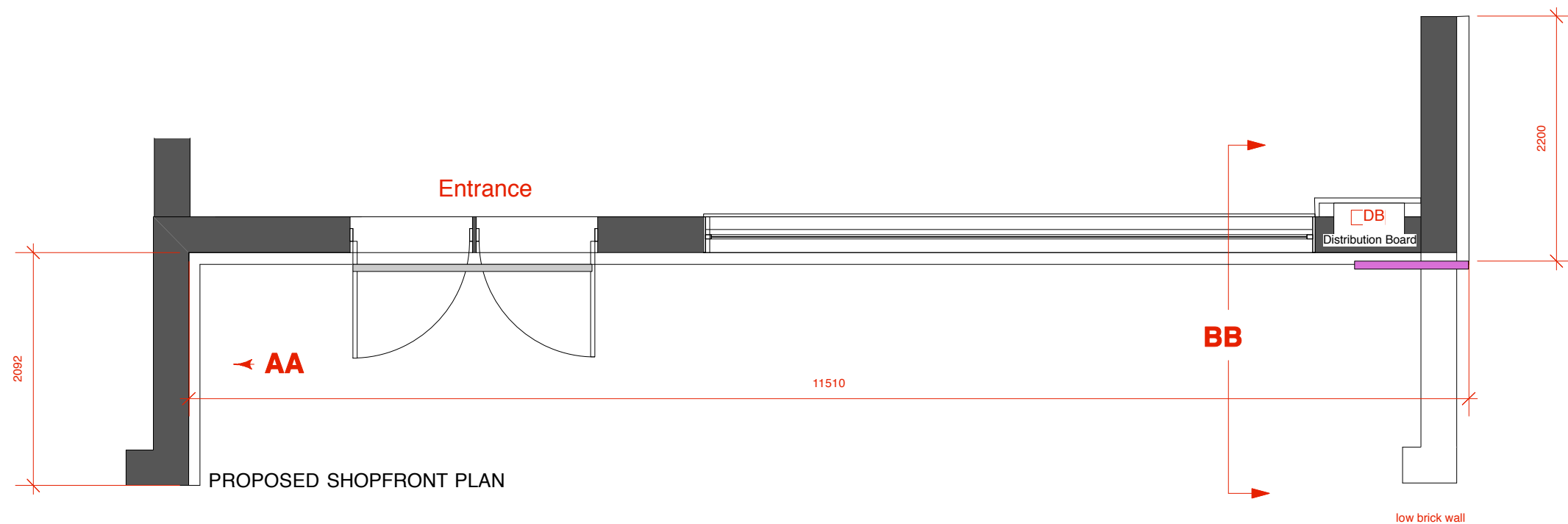
NOTES:
 Do not scale from this drawing, all dimensions should be checked on site prior to any building works taking place.
 YY Design Ltd accept no responsibility for any discrepancies during work



EXISTING SIDE ELEVATION AA

PROPOSED SHOPFRONT ELEVATION

PROPOSED SHOPFRONT SECTION BB



YY DESIGN

ADDRESS: UNIT 56 4th Floor Old Truman Brewery 91 Brick Lane London E1 6QL
 TEL: 02089020719
 EMAIL: YY.DESIGN@BTINTERNET.COM

Dwg Name:	PROPOSED Shopfront/Signage	
Date:	28/04/2014	Revision:
Scale:	1:50 @ A3	
Client:	LHAA	
Dwg Number:	TL-AC - 04.14.3	

PROPOSED ADVERTISEMENT PLAN & ELEVATION. 1A Hawley Road Camden London NW1 8RP