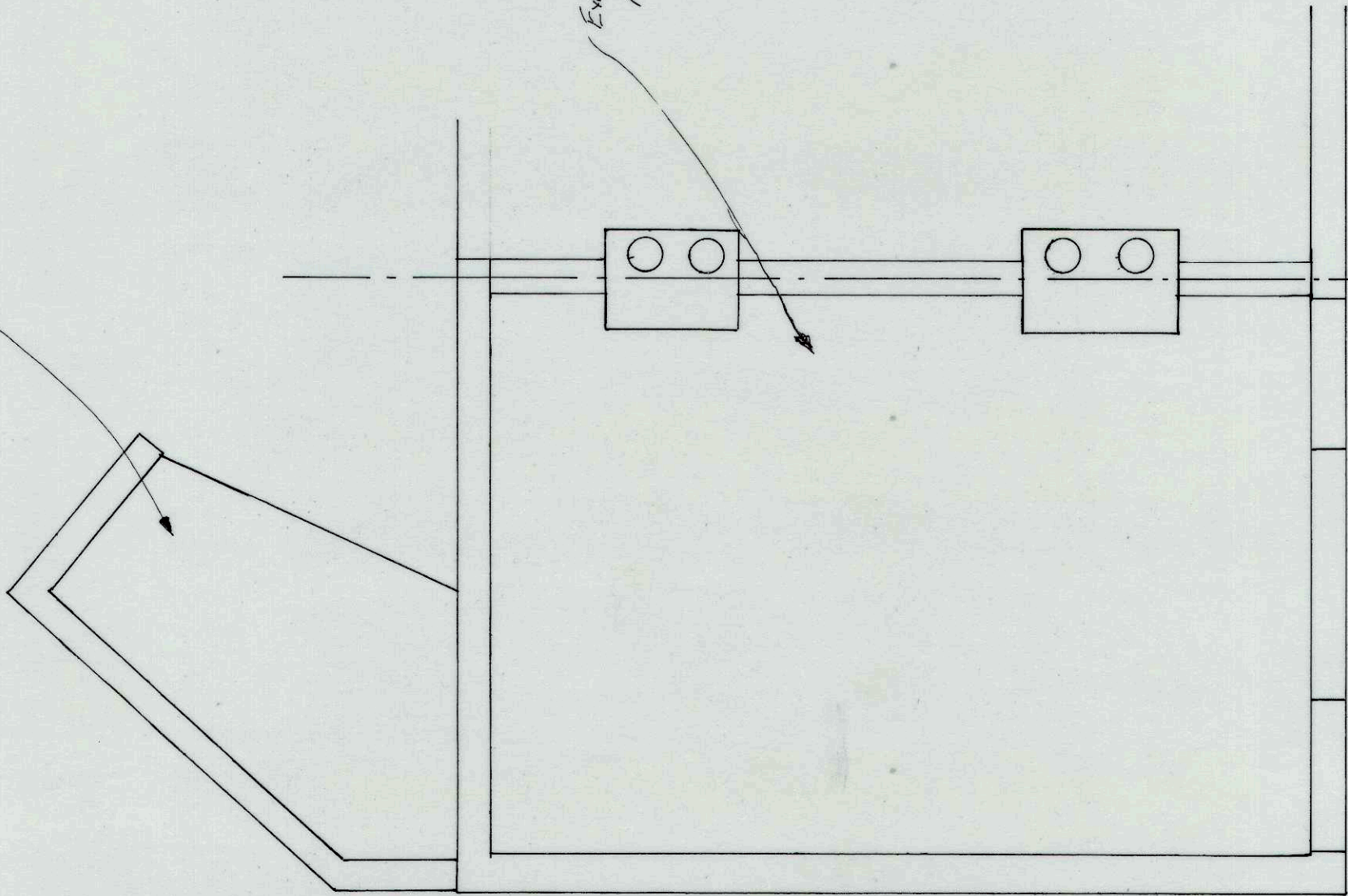


B.

ASPHALT ROOF DECK



A-B

EXISTING ROOF PLAN  
1/50

N° 74

A.

ASPHALT ROOF DECK

2ND VELOC WINDOWS SET INTO REAR ROOF PLANE. OBSCURE. GUTTERED

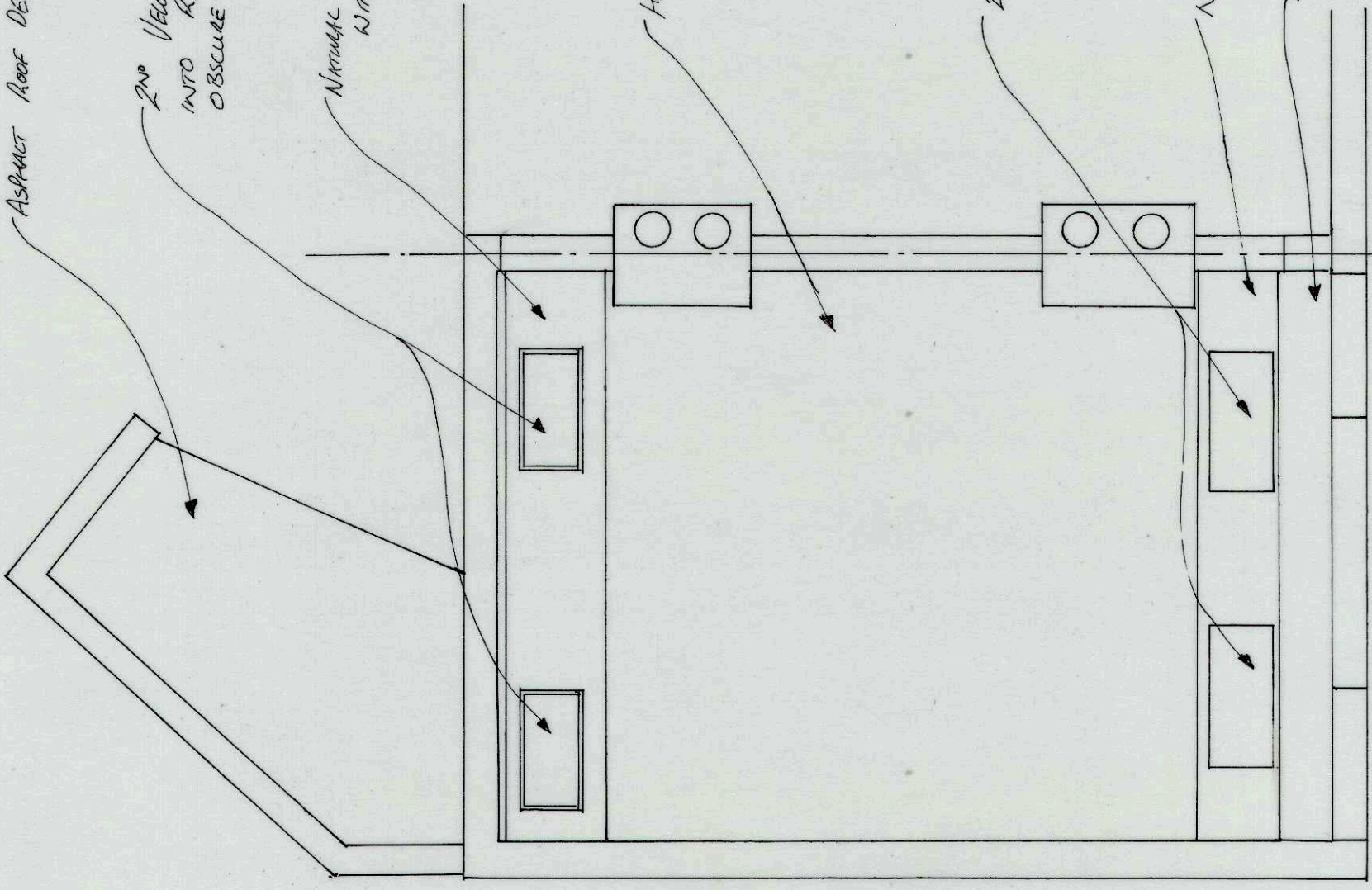
NATURAL SLATE TO PITCHED ROOF WITH LEAD FLASHINGS.

HOT POWERED ASPHALT TO FLAT ROOF. LEAD FLASHINGS

2ND WHITE PAINTED SOFT WOOD SASH WINDOWS IN LEAD CLAD DORMERS TO FRONT ELEVATION, SET 400mm BEHIND EXISTING RETAINED PARAPET WALL.

NATURAL SLATE TO PITCHED ROOF WITH LEAD FLASHINGS

LEAD GUTTER



A-A

PROPOSED ROOF PLAN  
1/50

N° 74

CLIENT: MR T. GRANGER / MR T. DOUGHERTY  
SITE: 72, 74 HARLEY STREET  
LONDON NW1 8TA

DRAWING

ROOF PLANS - N° 74

DATE: 19/10/14

SCALE: 1/50

NO. OF SHEETS: 12

NO. OF DRAWINGS: 1

DRAWING NO: N12

DATE: 7/11/14