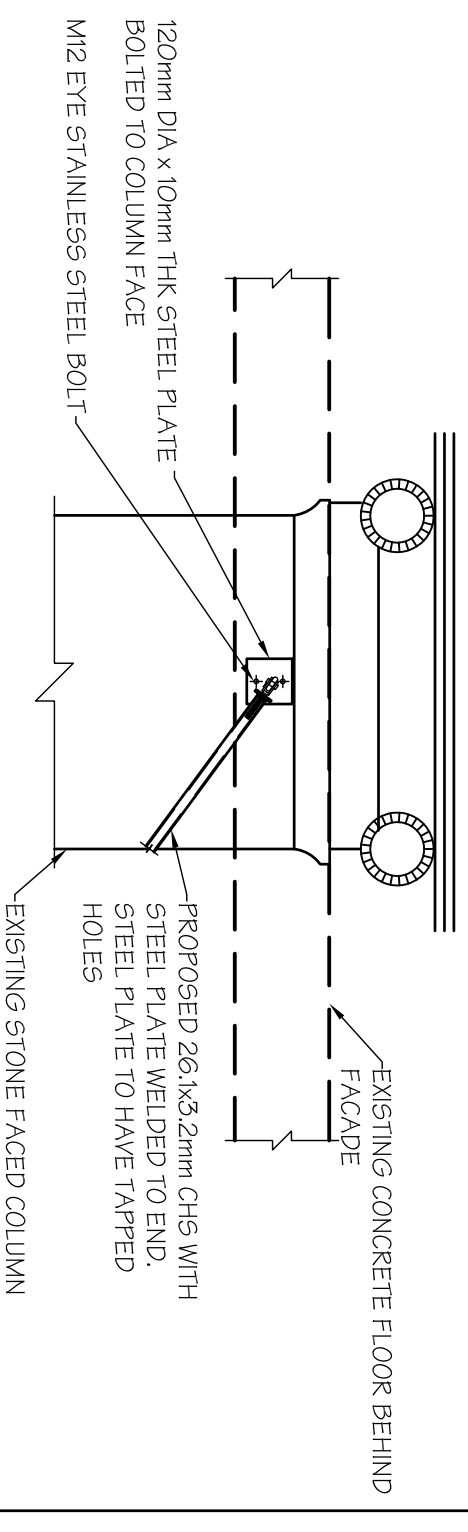
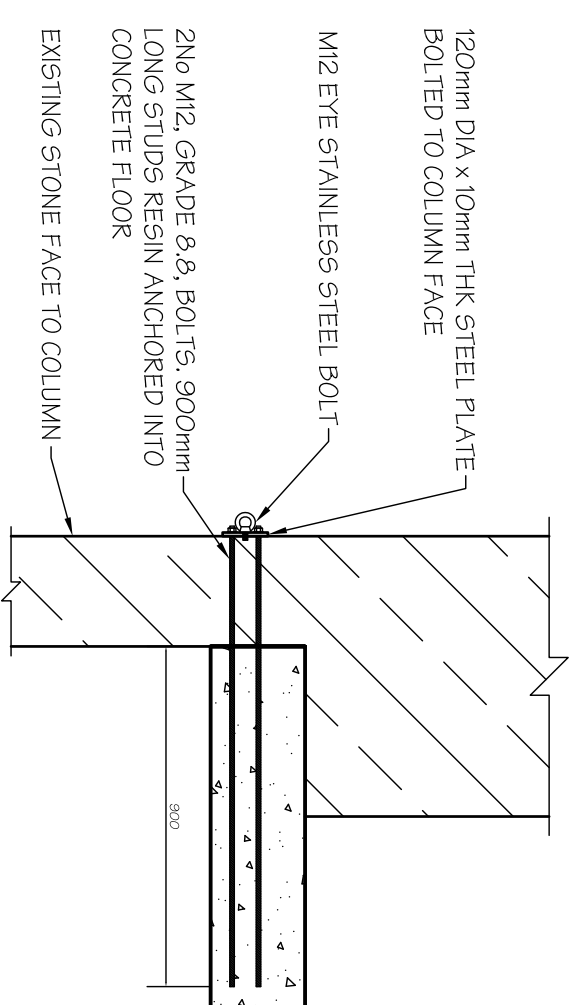


PROPOSED FRAME DETAILS FOR LED SCREENS
(SCALE 1:50 AT A3)

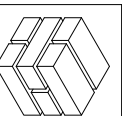


ELEVATION ON COLUMN NOTING FIXING DETAILS
(SCALE 1:20 AT A3)



TYPICAL SECTION THROUGH FIXING DETAIL
(SCALE 1:20 AT A3)

THIS DRAWING AND THE COMPUTER FILE OF THIS DRAWING ARE COPYRIGHT. THE COPYRIGHT BELONGS TO MICHAEL JACKSON CONSULTING ENGINEERS LIMITED (MJCE LIMITED). THIS DRAWING MAY THEREFORE, NOT BE REPRODUCED IN ANY FORMAT WITHOUT THE WRITTEN CONSENT OF MJCE LIMITED AND THE COMPUTER FILE MAY NOT BE TRANSFERRED WITHOUT THE WRITTEN CONSENT OF MJCE LIMITED.



Michael Jackson Consulting
Chartered Structural Engineers

204, BOLTON ROAD
WORSLEY, WALKDEN
MANCHESTER, M28 3BN

Tel: 0161 790 4404
Fax: 0161 790 4405

Element of Structure

FRAME WORK TO NEW LED SCREENS

SKETCH

Contract No. 2243-03

Prepared DS Date 15/05/14

Sketch Sheet No. 006

Checked Date

Revision

Contract

DOMINION THEATRE, WE WILL ROCK YOU GET-OUT