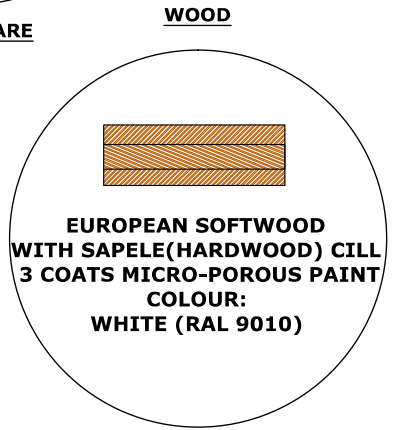
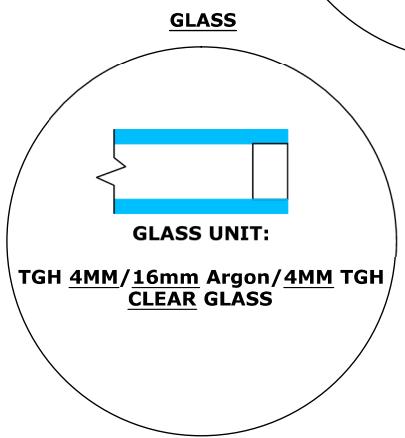
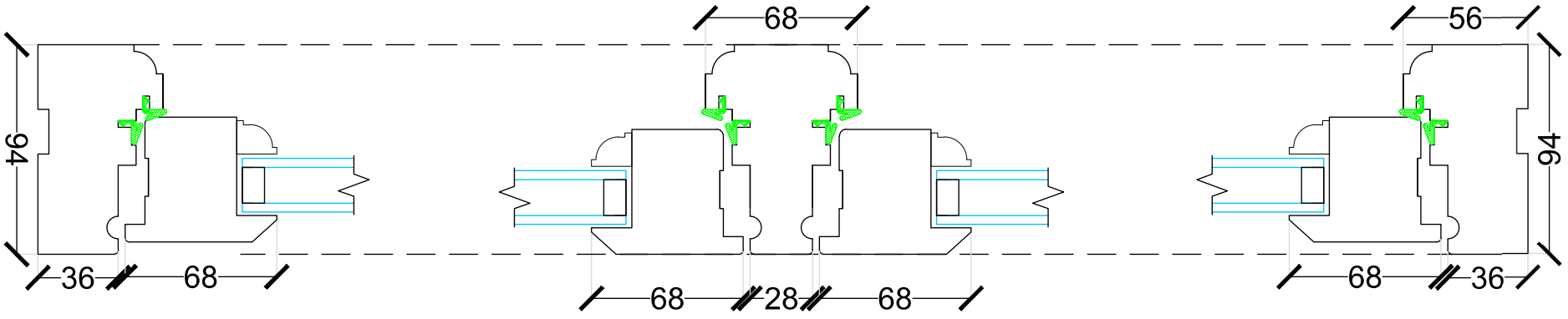
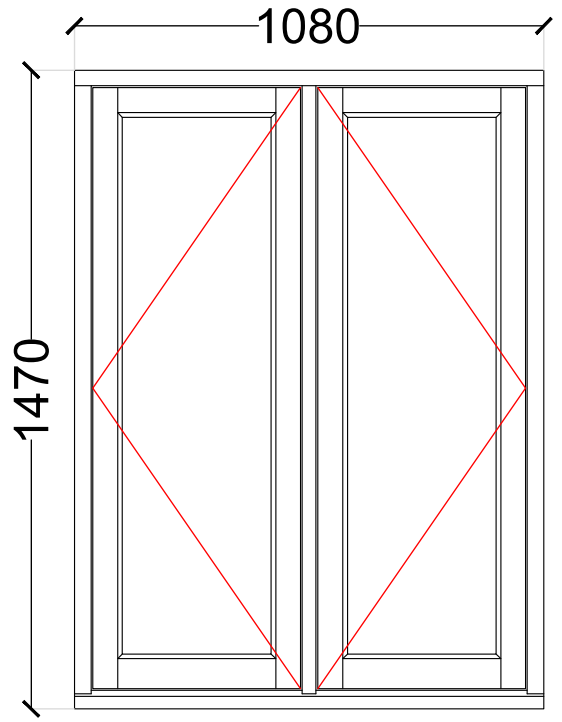


**CASEMENT
FRICTION HINGES
SATIN CHROME
TRICKLE VENT: NO
LOCKABLE ESPAG.
HANDLE**



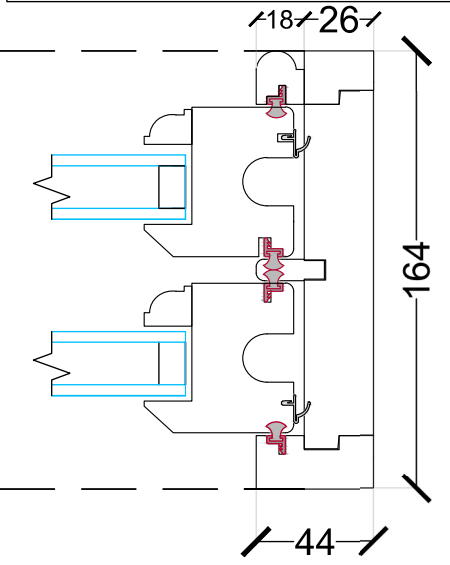
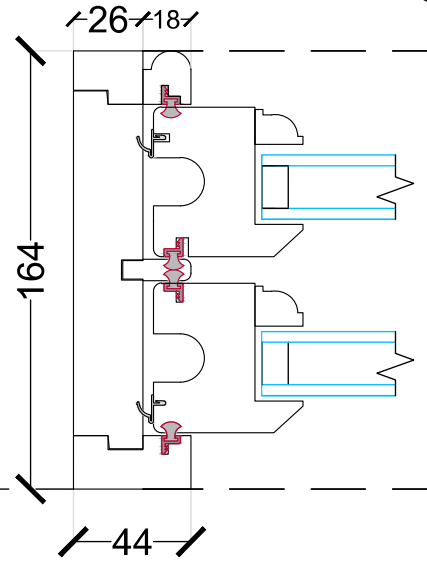
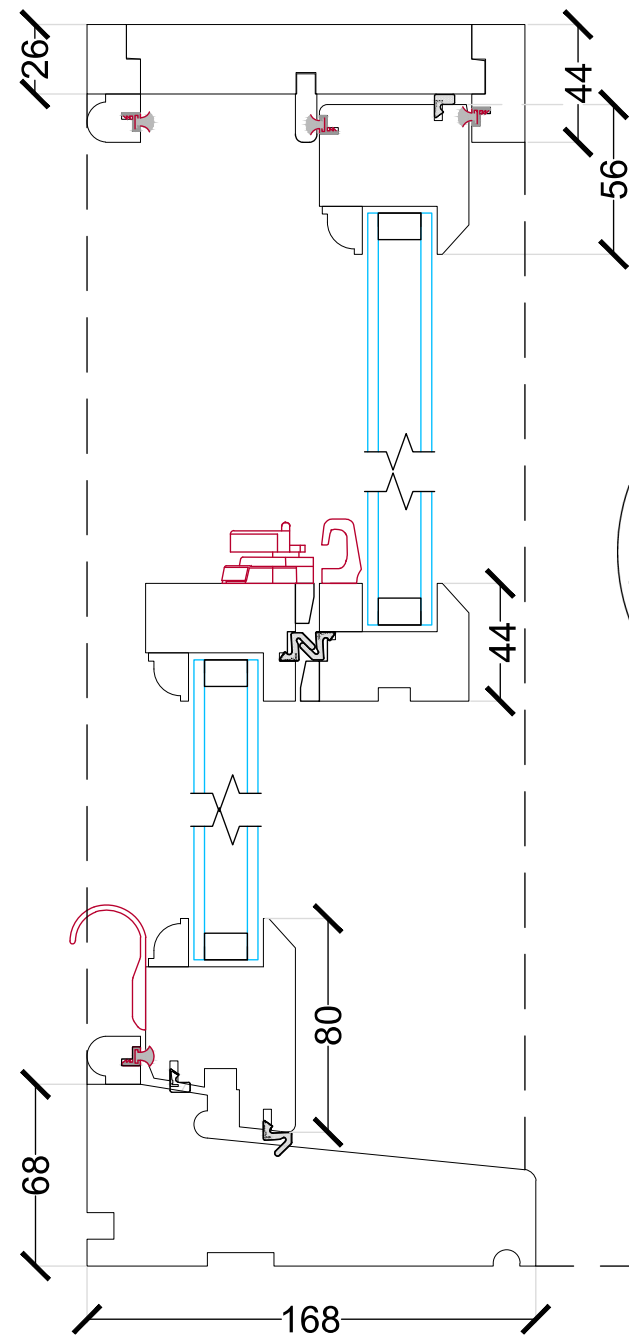
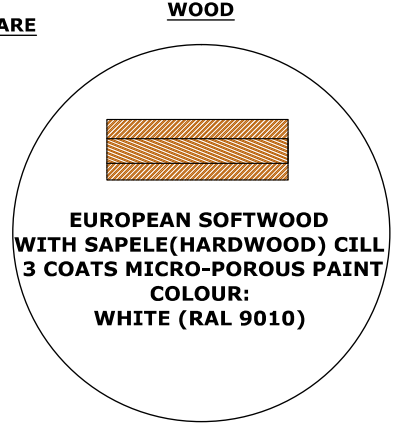
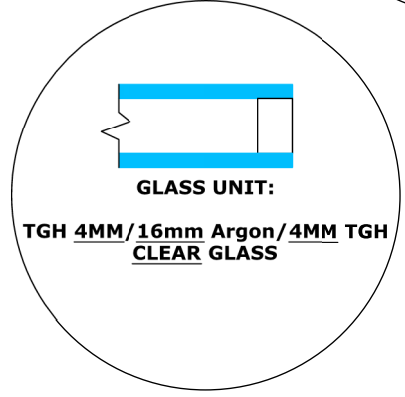
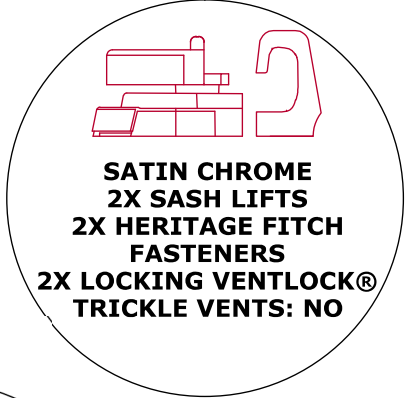
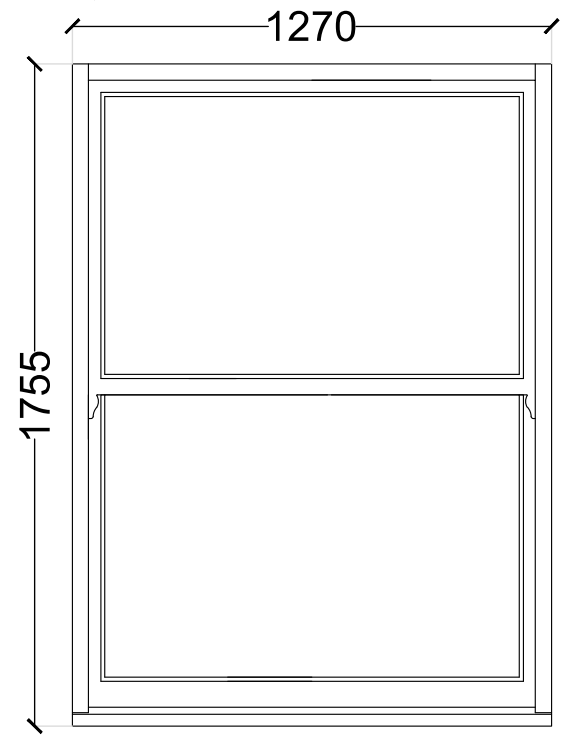
W04-REF-B2 QTY - 1



DRAWING NO	COMPONENT CODE	
LW-2590_14	N/A	
SCALE	DRAWN BY	
1:1, 1:10 @ A1	MT	
DATE	REVISION	
28.05.2014	C	
TITLE		
	79-86 Chancery Lane WINDOWS SCHEDULE 14 OF 30	

Made-to-order
timber
windows
and doors

W01,W04-REF-A1 - QTY 2



Made-to-order
timber
windows
and doors

DRAWING NO	COMPONENT CODE
LW-2690_01	N/A
SCALE	DRAWN BY
1:1, 1:10 @ A1	MT
DATE	REVISION
28.05.2014	C
TITLE	
	79-86 Chancery Lane WINDOWS SCHEDULE 01 OF 30