

John Rowe Parr Architects
Copyright reserved.

notes:
Use figured dimensions only.
Do not scale from this drawing.
All levels and dimension to be checked on site by contractor. Any discrepancy to be verified by the Architect before proceeding.
Drawing to be used in conjunction with all relevant J204 drawings and specifications.
The Contractor and relevant fabricated products to be built to current British and European Standards.
This drawing must not be used for Land Transfer unless stated as 'Conveyance'.

This drawing and its subject matter are the confidential property of John Rowe Parr Architects and shall not be copied, reproduced, used or disclosed to others without the prior written authority of John Rowe Parr Architects.

revision notes:

A	Description of revision notes	By	Date

Health & Safety notes:

For Approval

client:

project:
108 St Pancras Way

title:
Architrave Detail

scale:
As specified in drawing

drawn by:
MC

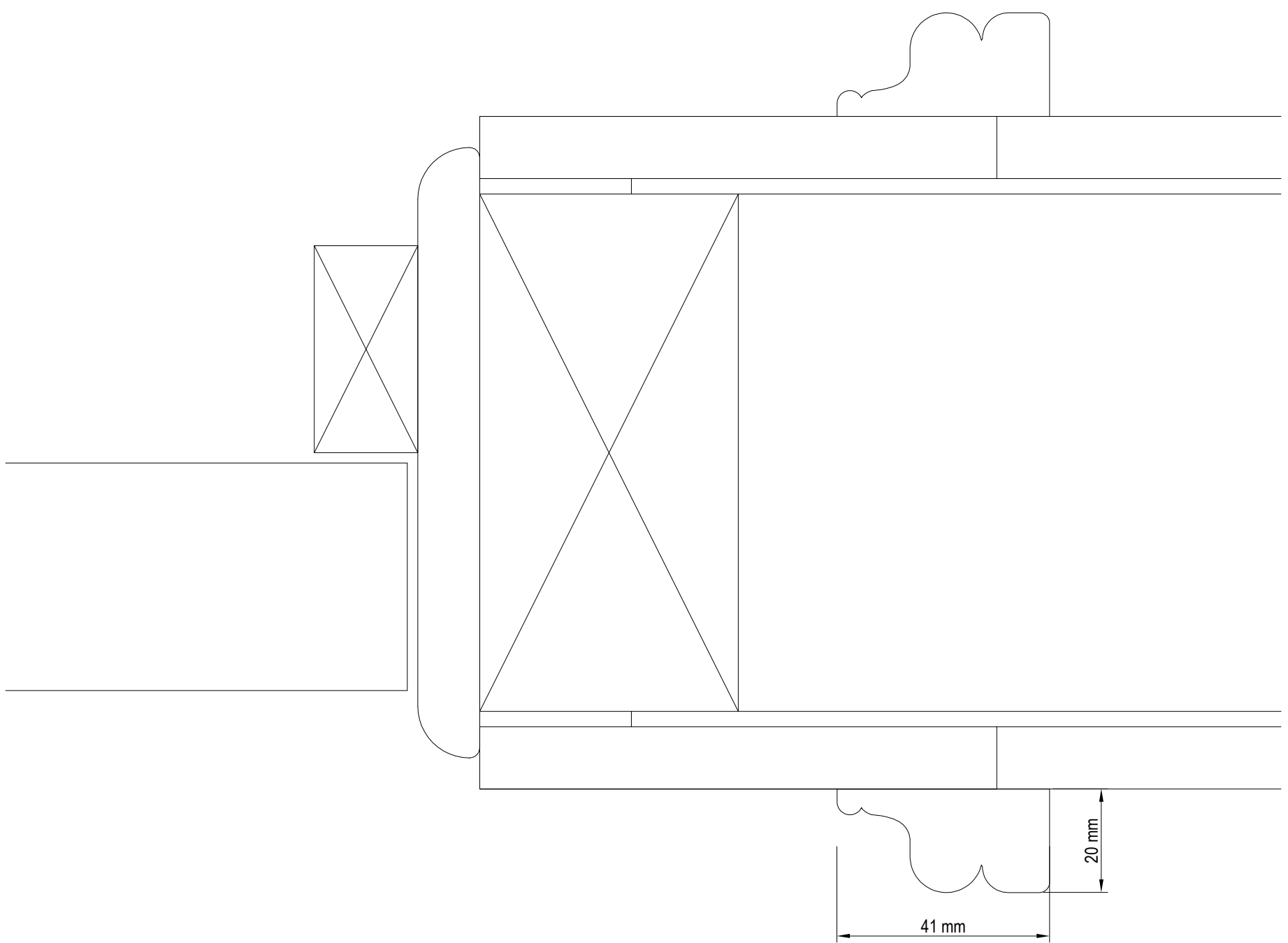
start date:
Feb 2014

checked by:
MJ / JRP

drawing number:
797_214

revision no:
-

JRPA project no: 797



Architrave detail 1:1 @A3



Original architrave detail from 108 St Pancras Way