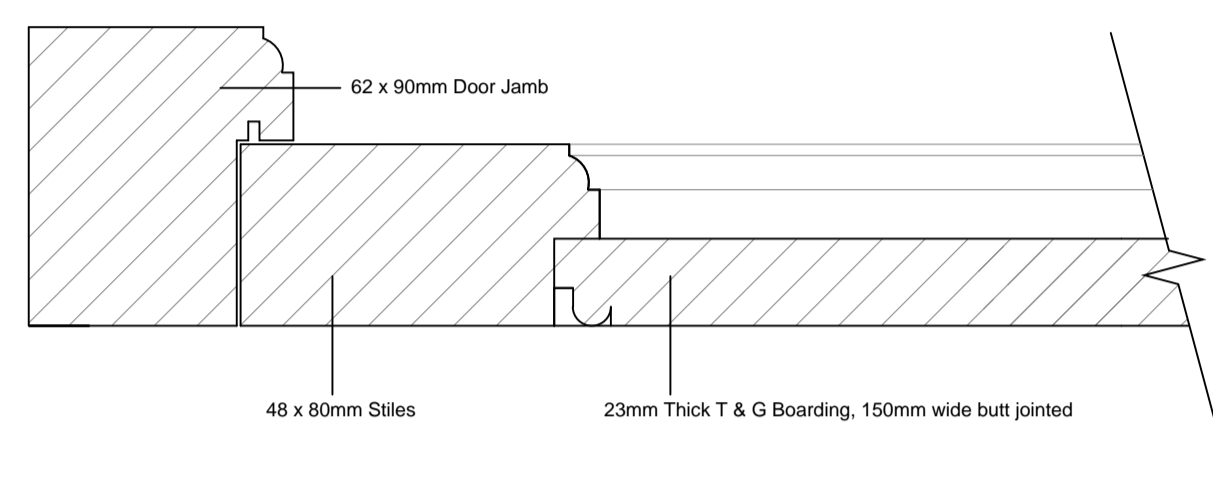
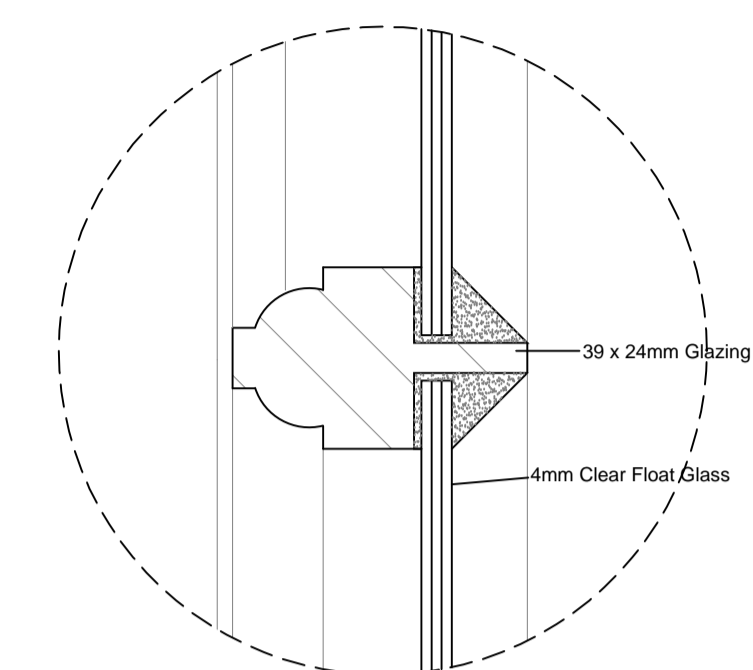


Vertical Section (1:2)



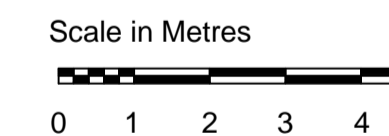
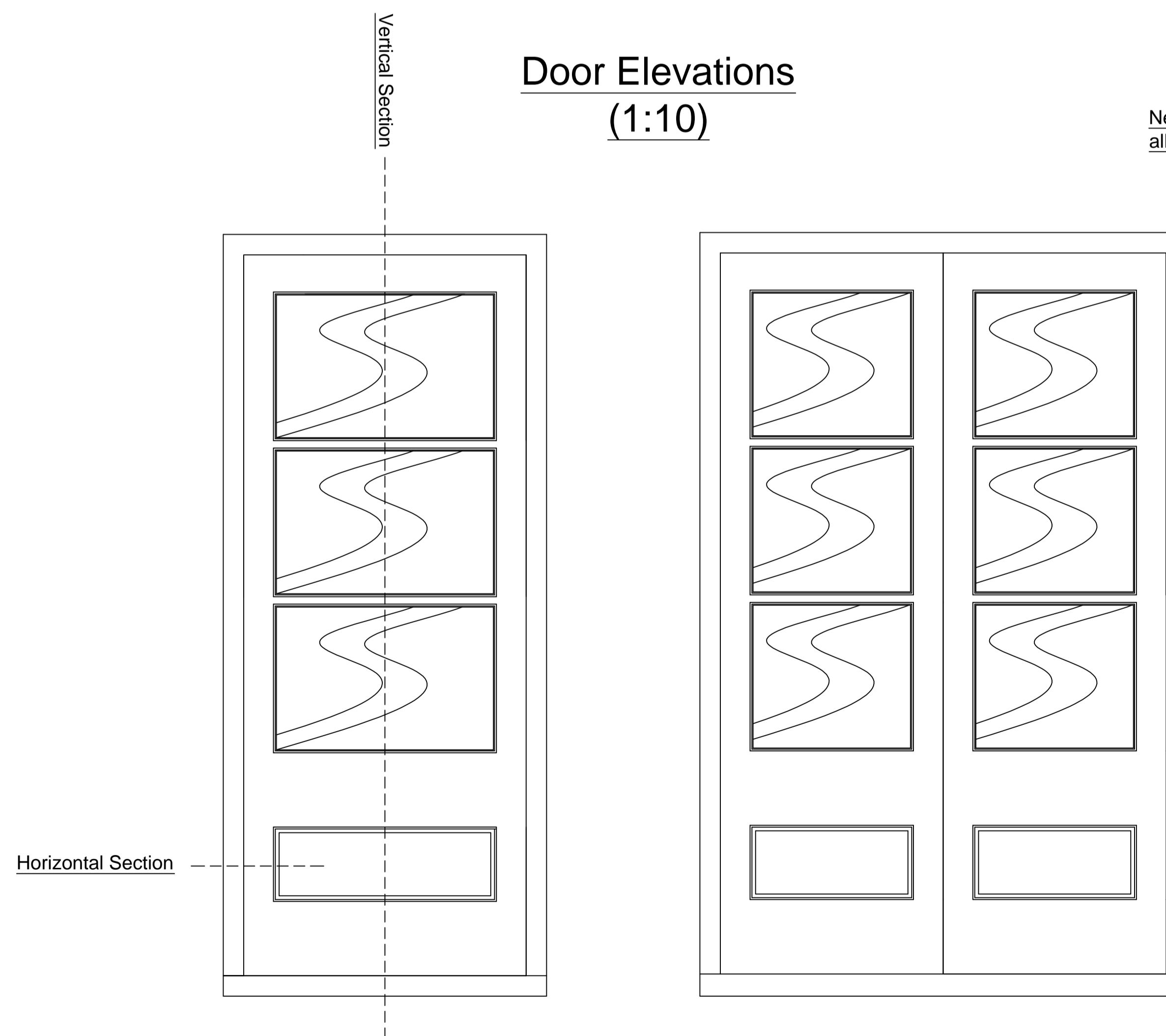
Horizontal Section (1:2)



Detail Section(1:1)

Door Elevations (1:10)

New Hardwood doors and frames  
 all finished in 3 coat micro-porous  
 paint, colour to be agreed



**THE JTS PARTNERSHIP**  
 Chartered Valuation Surveyors • Town Planning Consultants  
 Number One, The Drive, Great Warley,  
 Brentwood, Essex CM13 3DJ  
 Tel: (01277) 224664 Fax: (01277) 215487  
 Email: [service@jtspartnership.co.uk](mailto:service@jtspartnership.co.uk)  
Trading as a Limited Liability Partnership Registered in England & Wales Registration No: 01297263

Site  
 54 - 55 Birkenhead Street  
 Kings Cross  
 London WC1

Drawing Title  
 Proposed New Door Details

Drawn by KAD	Checked by JWG	Signed by
-----------------	-------------------	-----------

Date January 2014	Scale 1:1 / 1:2 / 1:10	@A1
----------------------	---------------------------	-----

Drawing Number  
**JTS/IOLM/Kingscross/PR10**