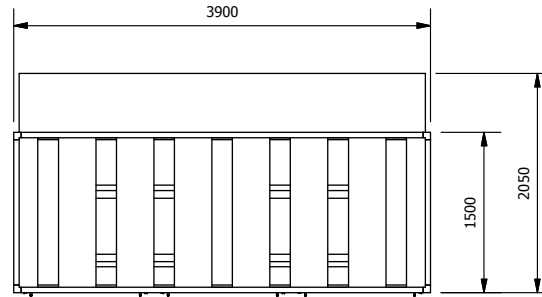
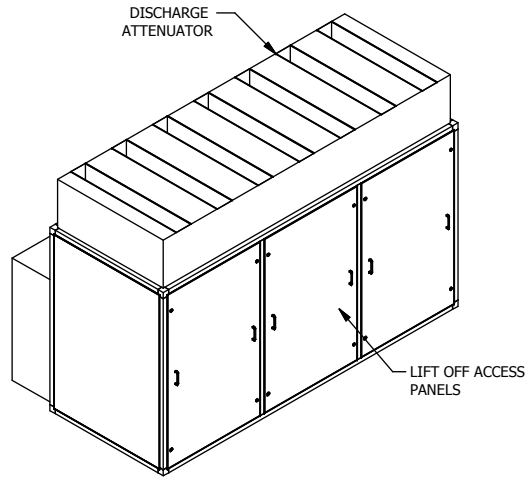


NOTES:

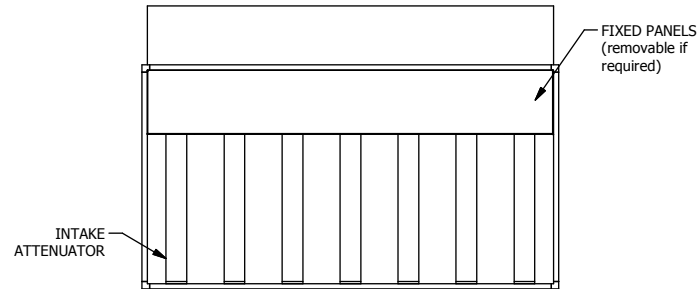
1. ALL DIMENSIONS IN mm
2. ALL WITH A GOOSEWING GREY FINISH
3. FLAT LEVEL BASE/STEEL FOR ENCLOSURE TO BE POSITIONED AND SECURED ON TO BY OTHERS



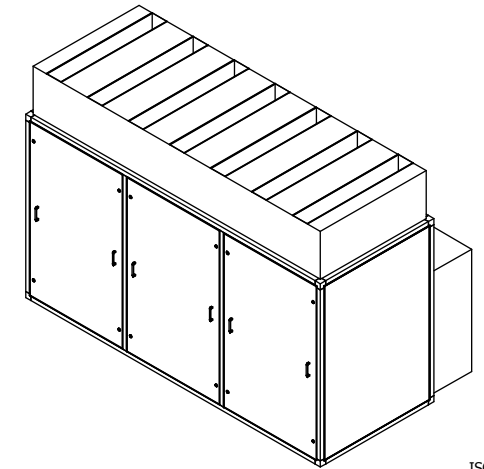
PLAN



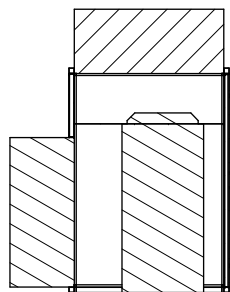
ISOMETRIC



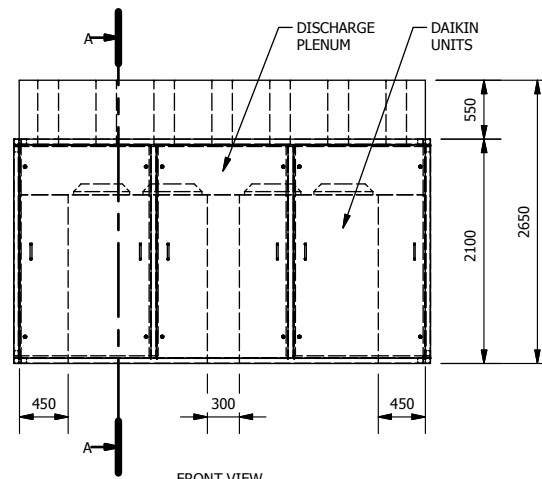
REAR VIEW



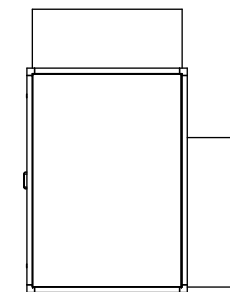
ISOMETRIC



A-A



FRONT VIEW



REAR VIEW

Acoustical Control Engineers Ltd. Broadway, Bourn Cambridgeshire, CB23 2TA Tel: +44 (0)1954 718 344 Fax: +44 (0)1954 718 355 www.acoustical.co.uk E-Mail: ACE@acoustical.co.uk	
Client:	BJA
Project:	CO-OP GREYS INN ROAD
ACE Project No:	13598
Title:	G.A OF ENCLOSURE
Drawing No:	13598/100
Scale:	1:50 @ A3
Date:	28/01/2014
Drawn By:	edm
Checked By:	