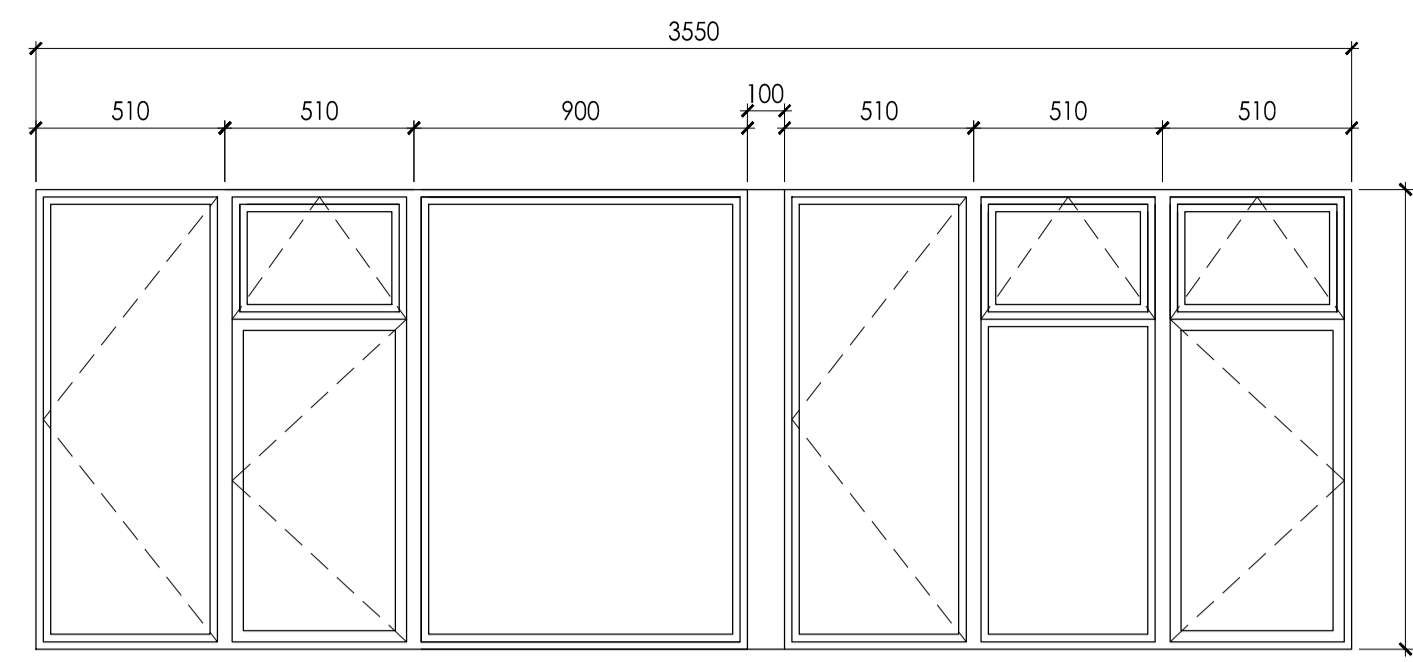
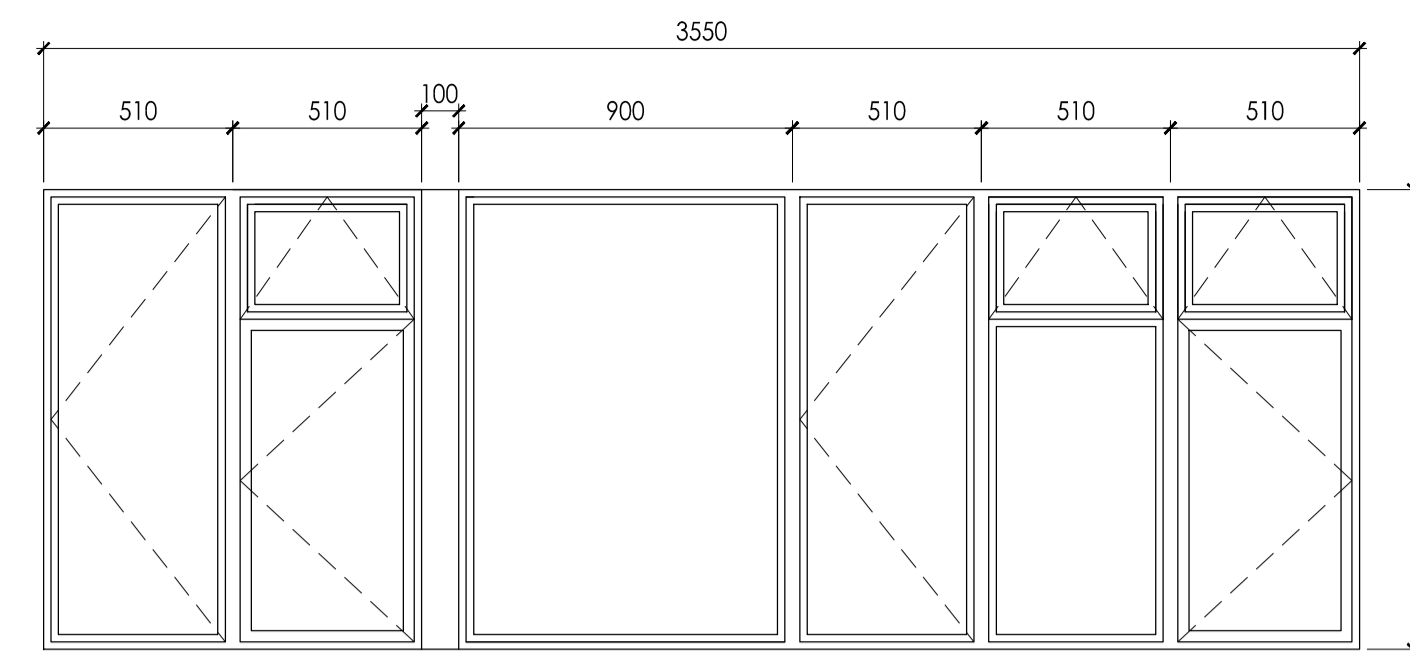


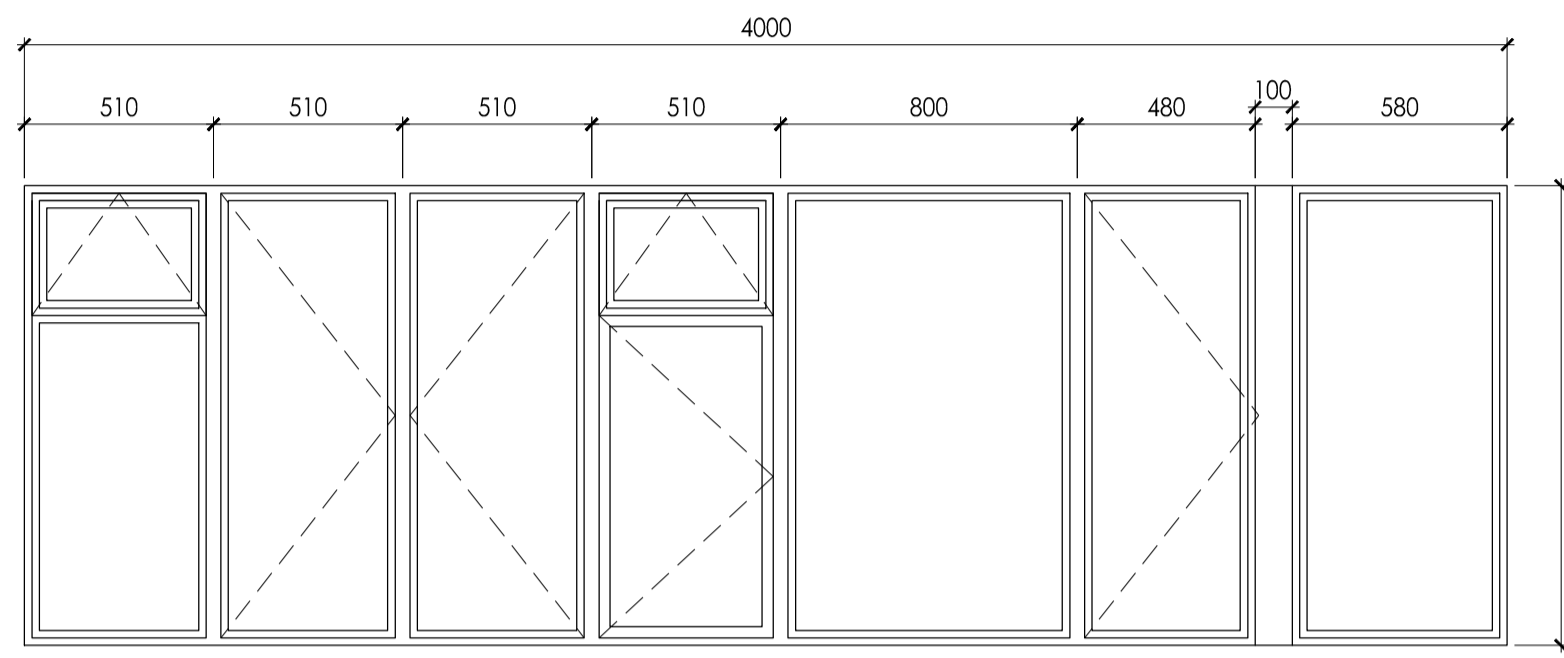
TYPE A -  
4 NO.



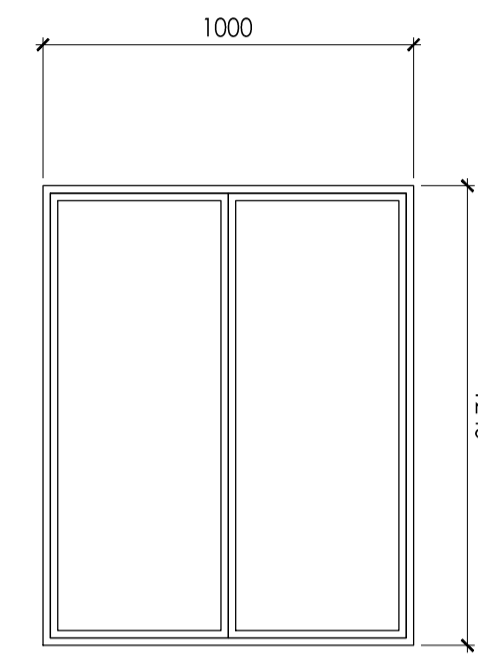
TYPE B -  
4 NO.



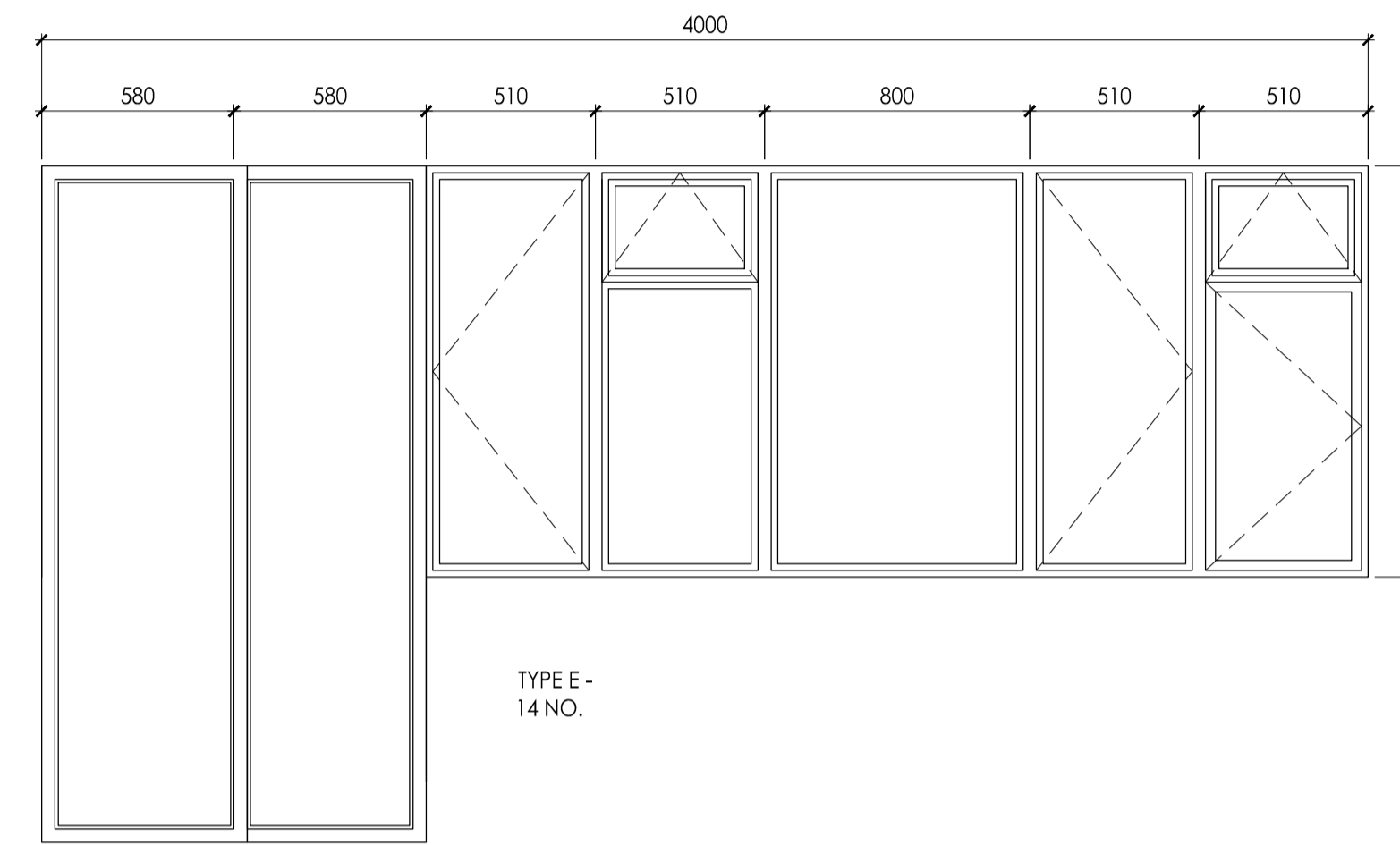
TYPE B1 -  
11 NO.



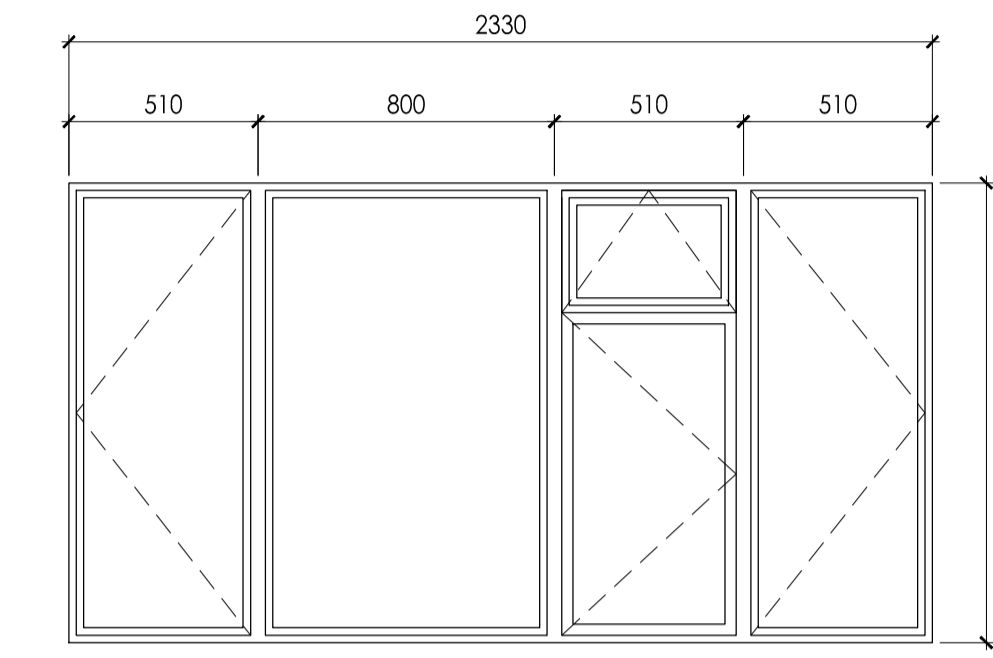
TYPE C -  
1 NO.



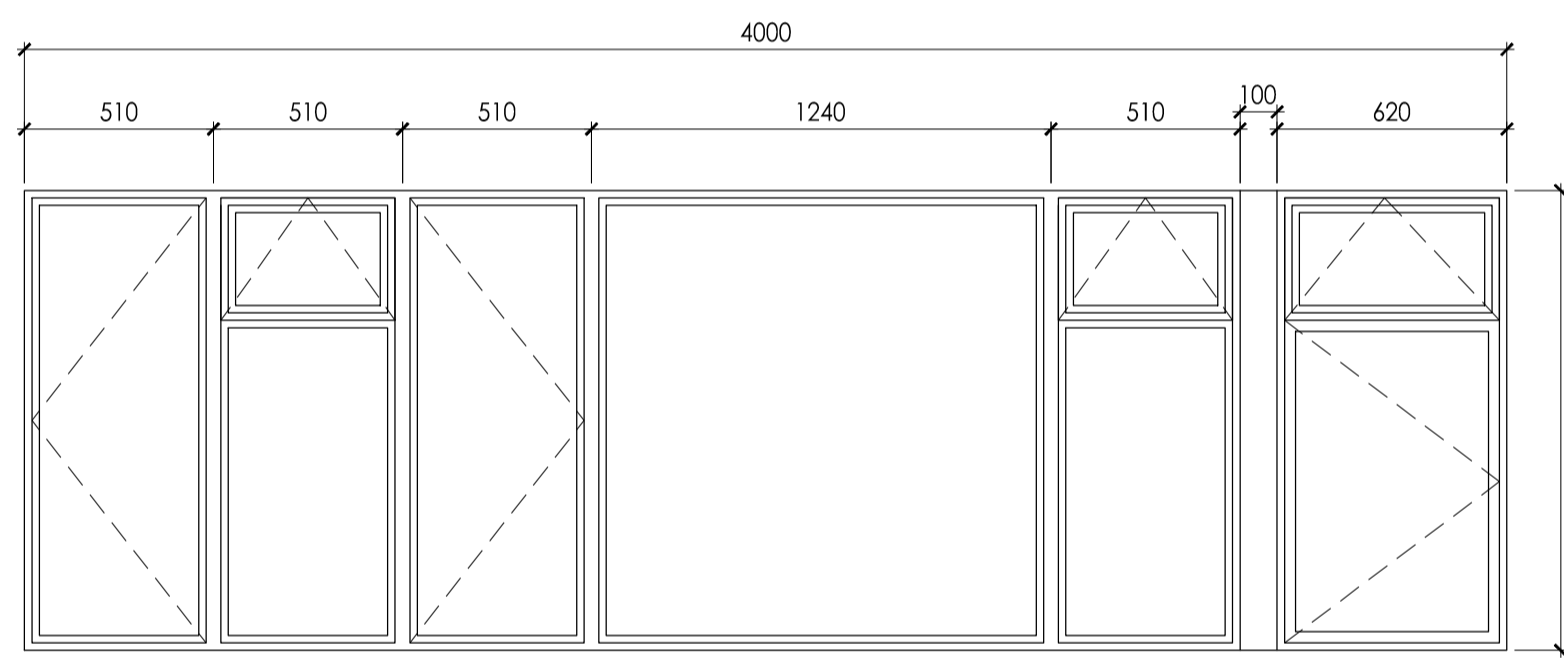
TYPE D -  
2 NO.



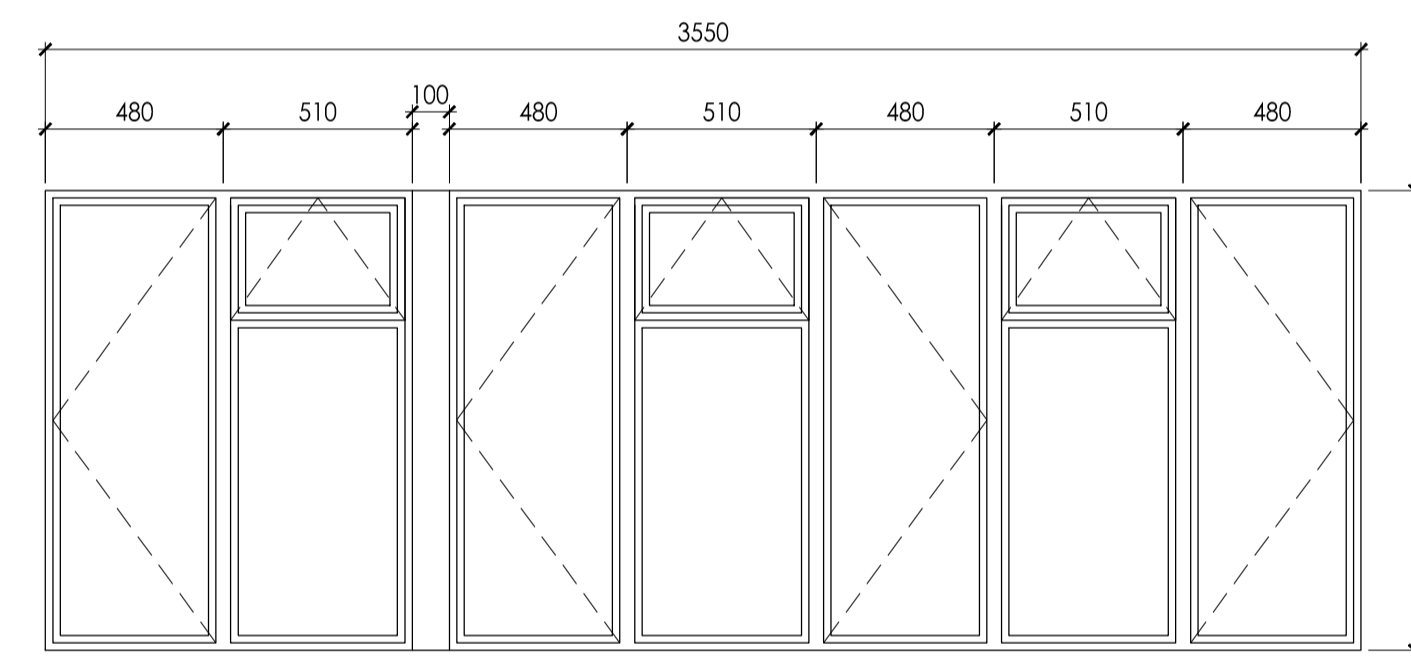
TYPE E -  
14 NO.



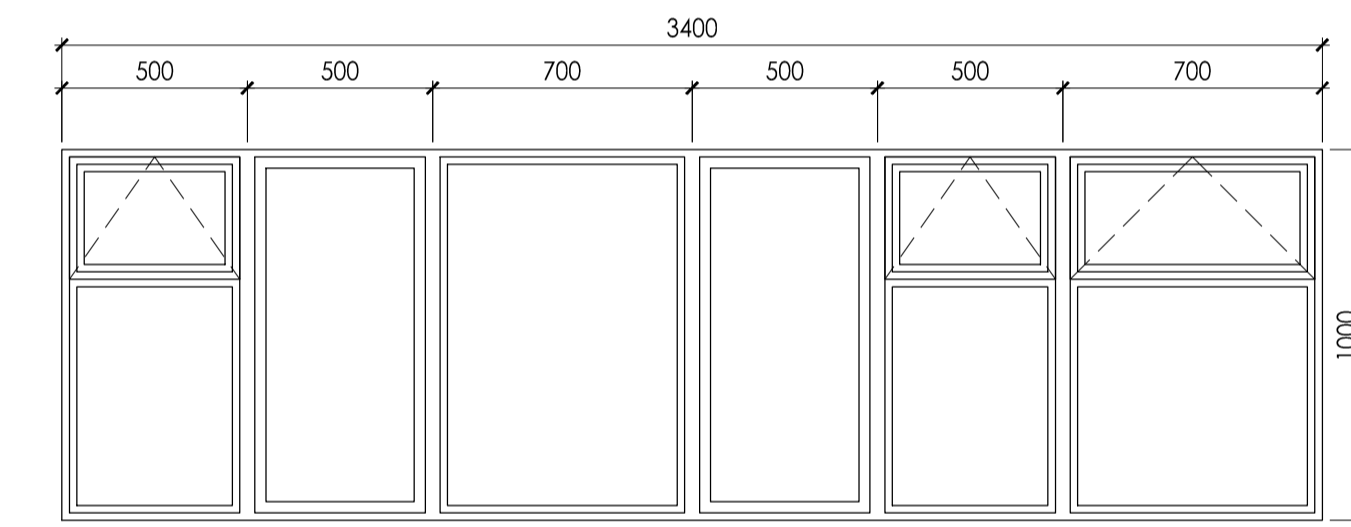
TYPE F -  
4 NO.



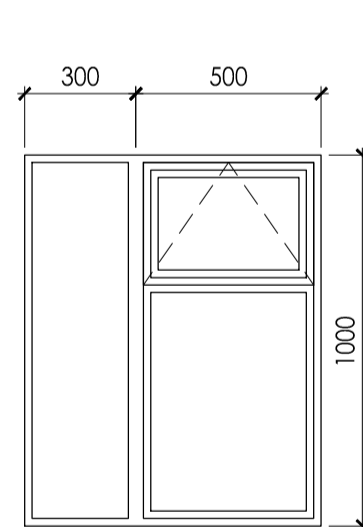
TYPE G -  
1 NO.



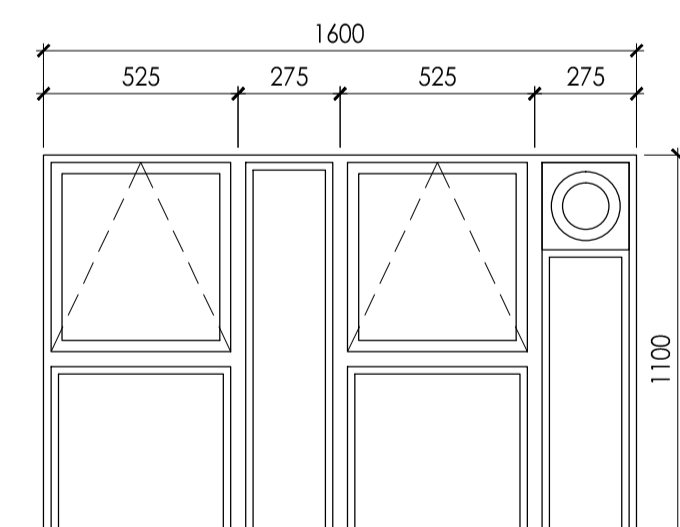
TYPE H -  
1 NO.



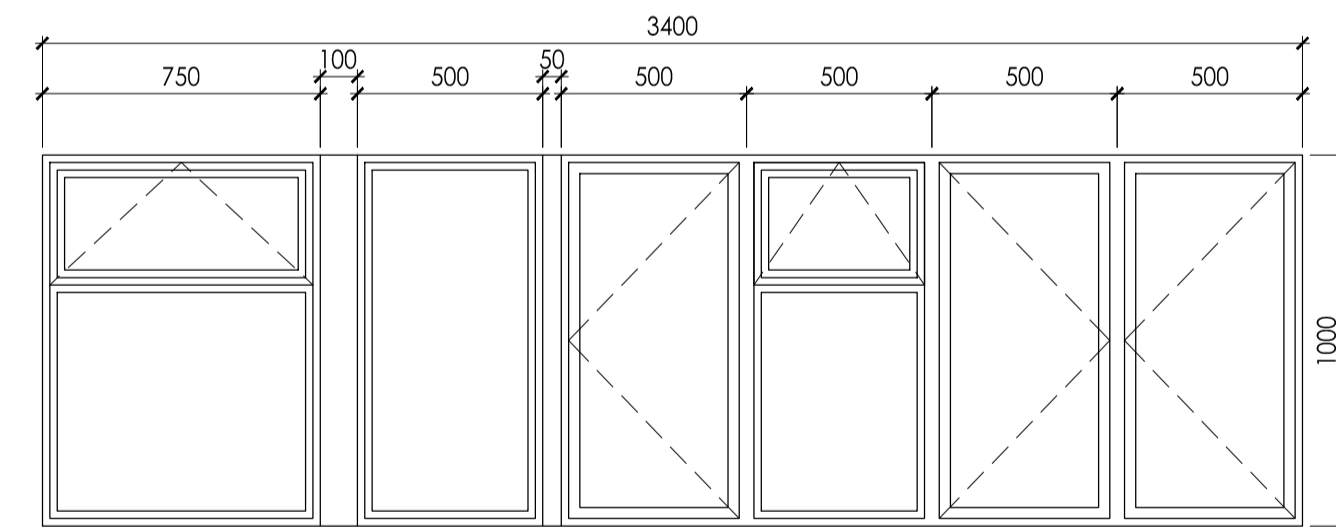
TYPE J -  
4 NO.



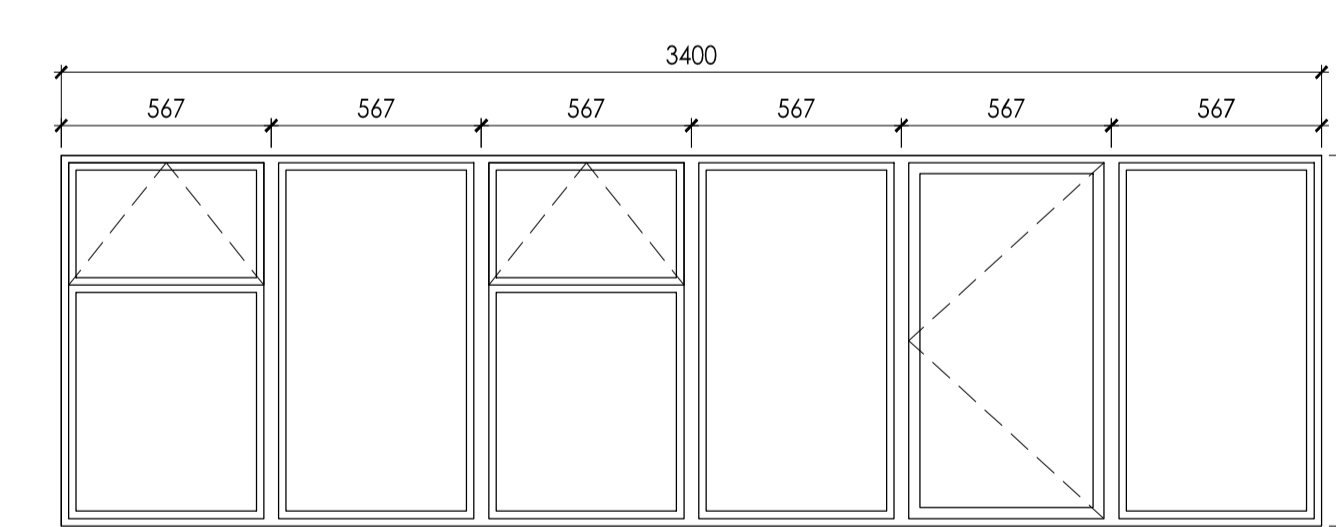
TYPE K -  
14 NO.



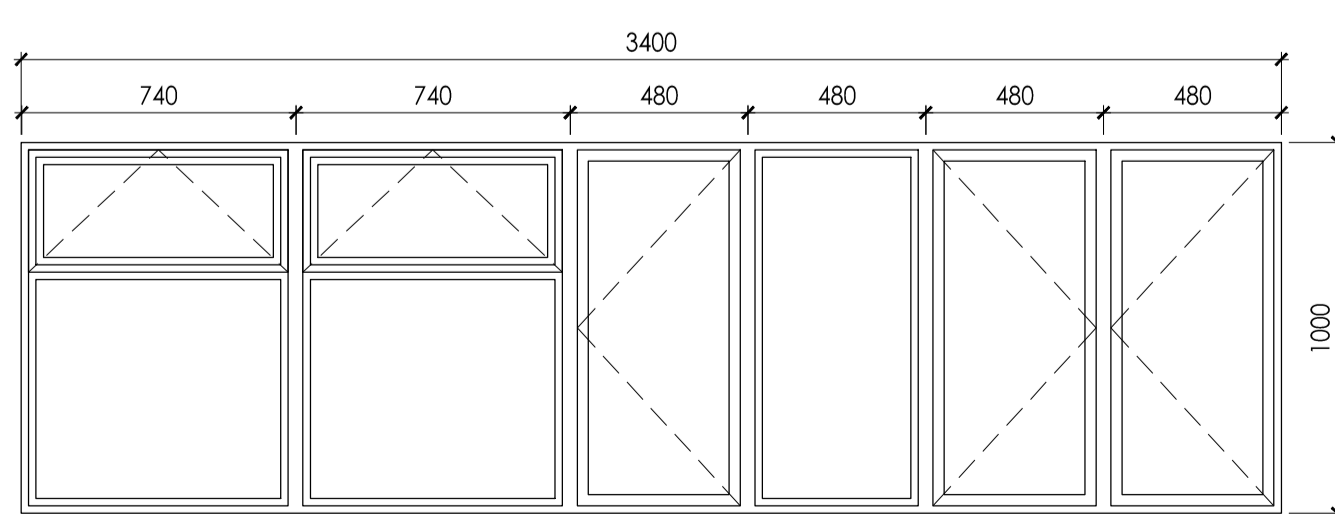
TYPE L -  
14 NO.



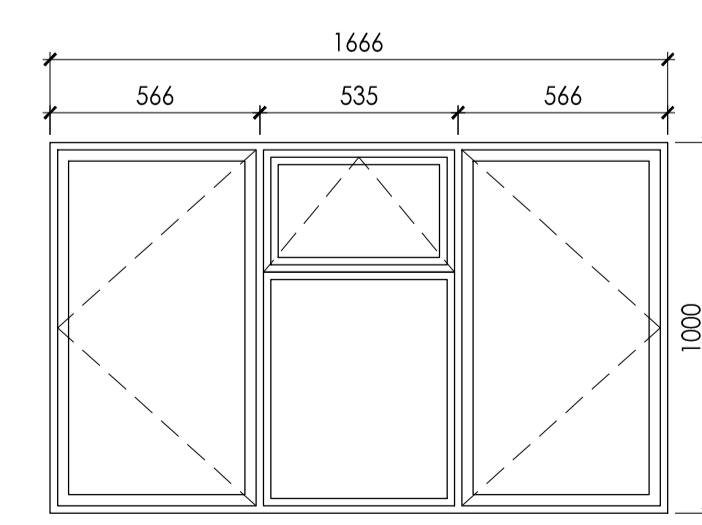
TYPE M -  
4 NO.



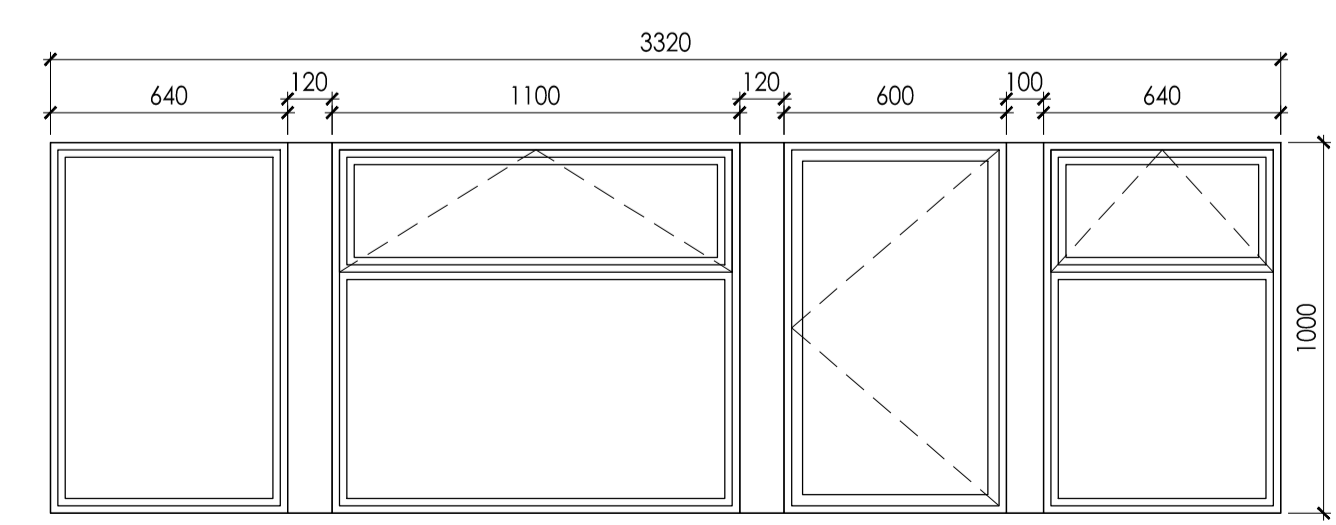
TYPE N -  
1 NO.



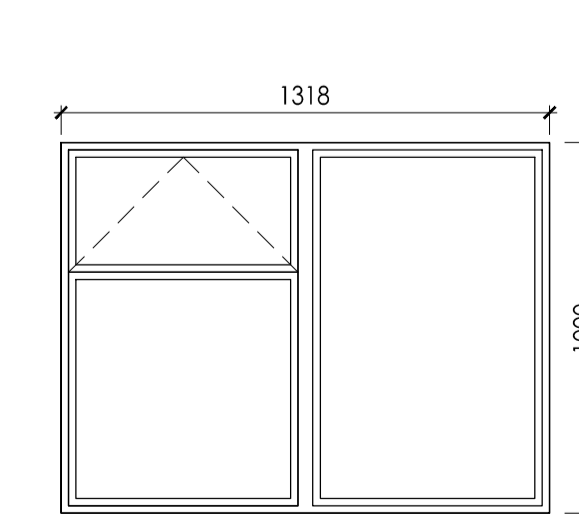
TYPE P -  
3 NO.



TYPE Q -  
4 NO.



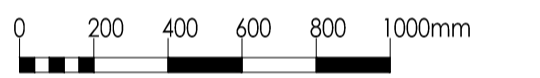
TYPE R -  
3 NO.



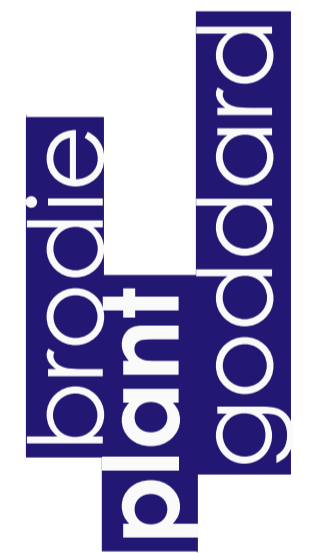
TYPE S -  
1 NO.

Amendments

\*



DO NOT SCALE FOR CONSTRUCTION



BUILDING SURVEYING  
ARCHITECTURE  
PROJECT MANAGEMENT  
QUANTITY SURVEYING

HOLMBURY HOUSE  
DORKING BUSINESS PARK  
STATION ROAD DORKING  
SURREY RH4 1HJ

T 01306 887070  
F 01306 876716  
admin@bpg.co.uk  
www.bpg.co.uk

PROJECT

KENT HOUSE - CHALK FARM

CLIENT

ORIGIN HOUSING

3649 DATE JUNE 2014

DRAWN CN CHECKED SD

SCALE 1:20 @ A1 FOR PLANNING

TITLE  
EXISTING WINDOWS

DRAWING NO.  
3649/PL04

REV  
\*