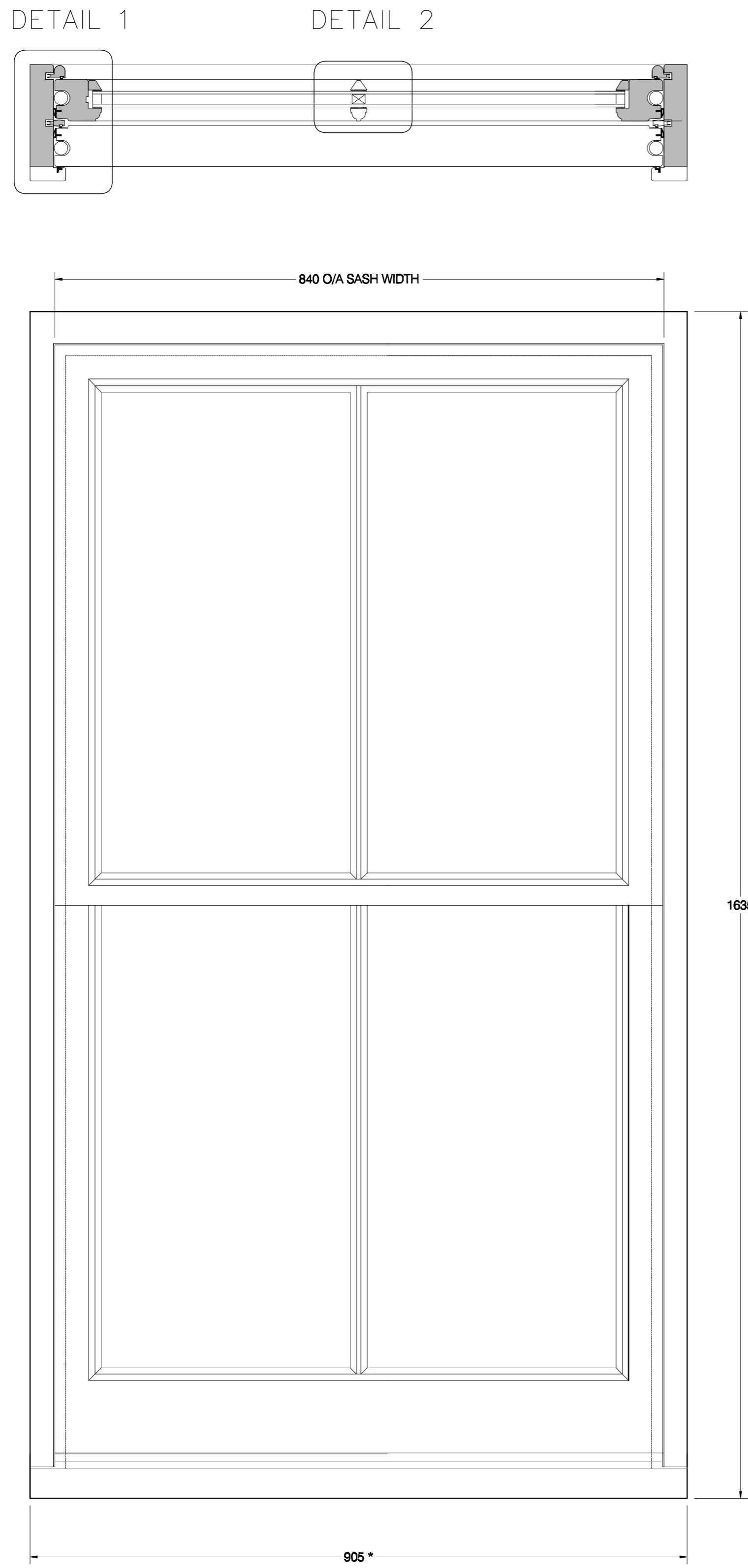
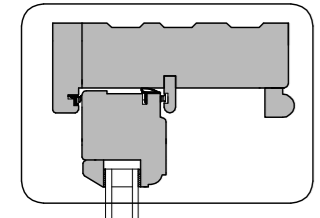


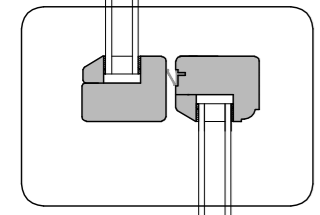
STANDARD NOTES:
 THE COPYRIGHT OF THIS DRAWING IS RESERVED.
 CONTRACTORS MUST VERIFY ALL DIMENSIONS ON SITE BEFORE COMMENCING WORK. FIGURED DIMENSIONS TO TAKE PRECEDENCE OVER SCALED DIMENSIONS
 ARCHITECT TO BE NOTIFIED OF ANY DISCREPANCIES IN DRAWINGS IMMEDIATELY. ANY DISCREPANCY IN SITE CONDITIONS AND THOSE NOTED ON DRAWINGS TO BE NOTIFIED TO ARCHITECT PRIOR TO COMMENCEMENT OF AFFECTED WORK
 THIS DRAWING IS TO BE READ IN CONJUNCTION WITH ALL OTHER DRAWINGS IN THE ED/BL SERIES AND TO ALL ACCOMPANYING SCHEDULES AND SPECIFICATIONS.



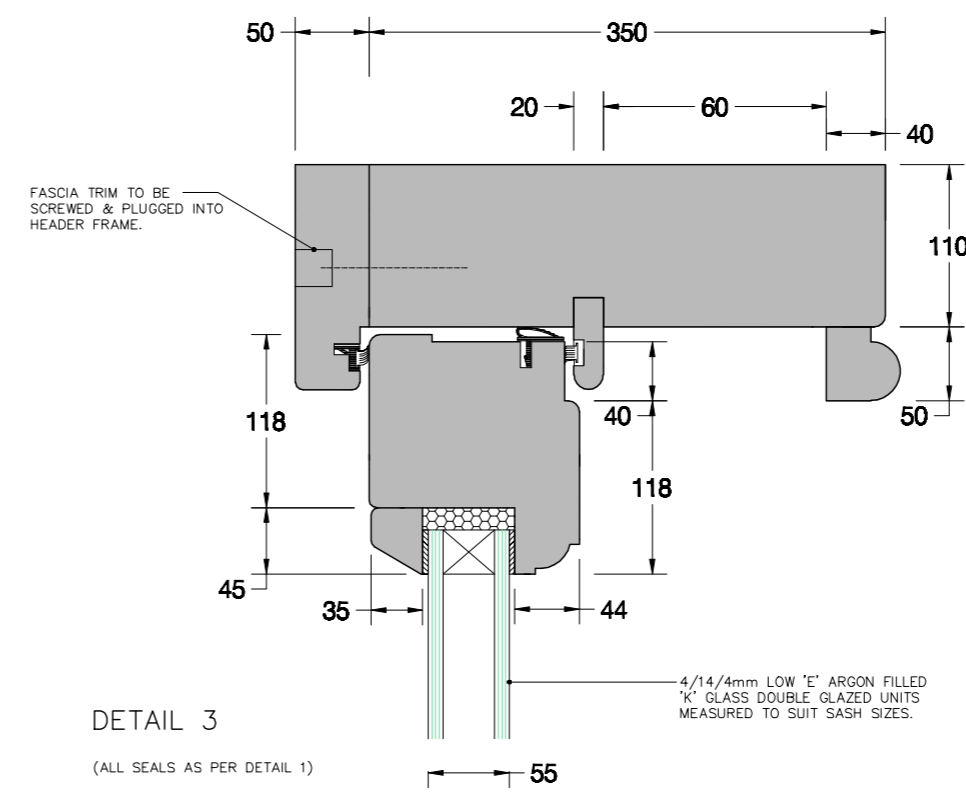
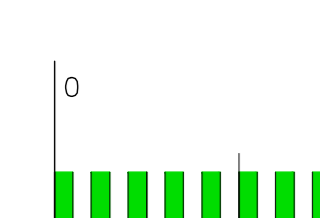
DETAIL 3



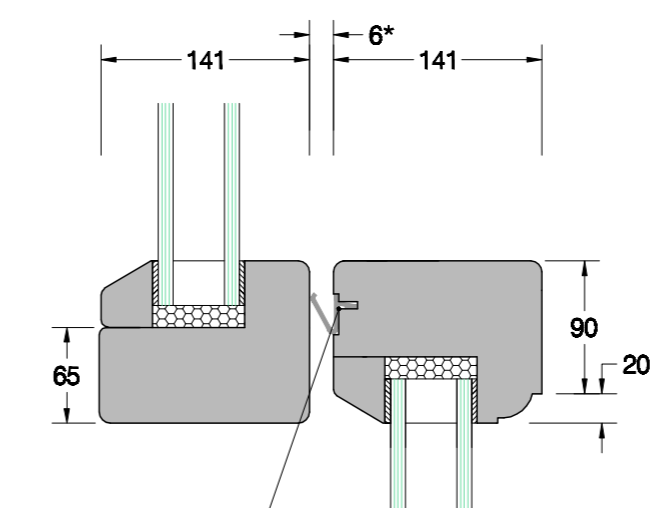
DETAIL 4



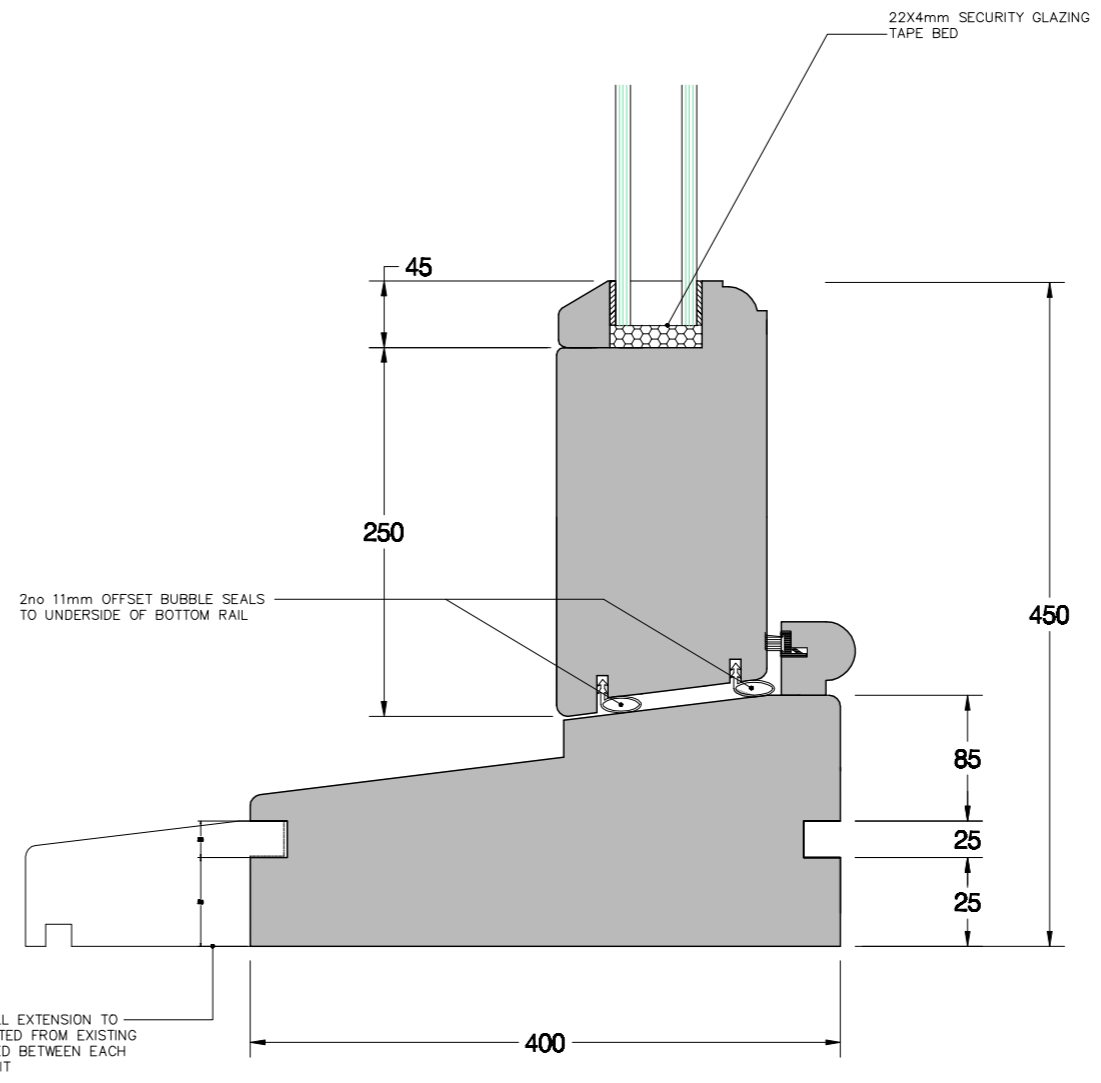
DETAIL 5



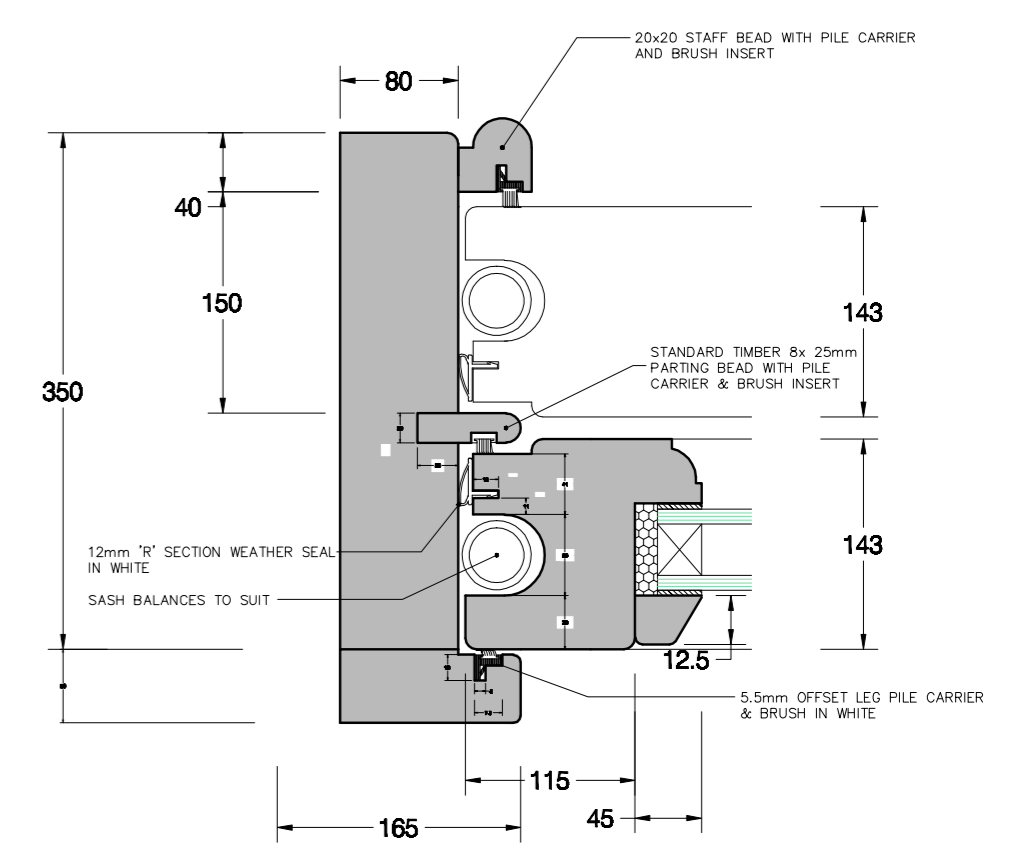
DETAIL 3
(ALL SEALS AS PER DETAIL 1)



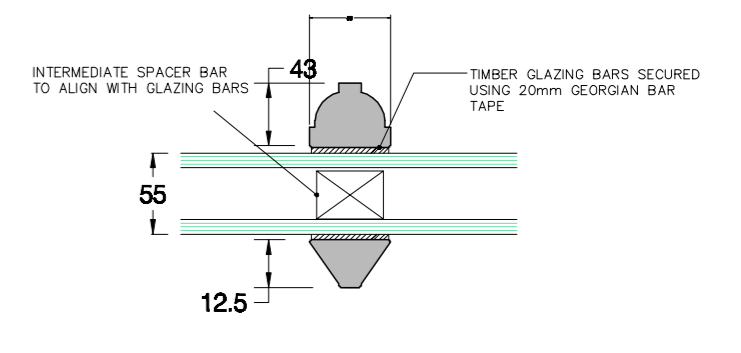
DETAIL 4



DETAIL 5



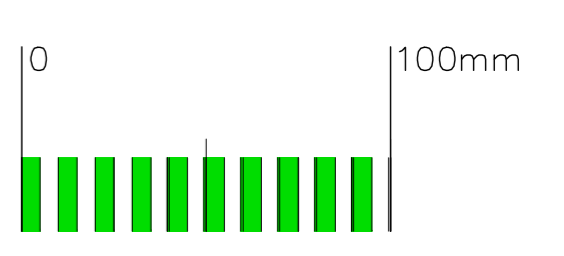
DETAIL 1



DETAIL 2

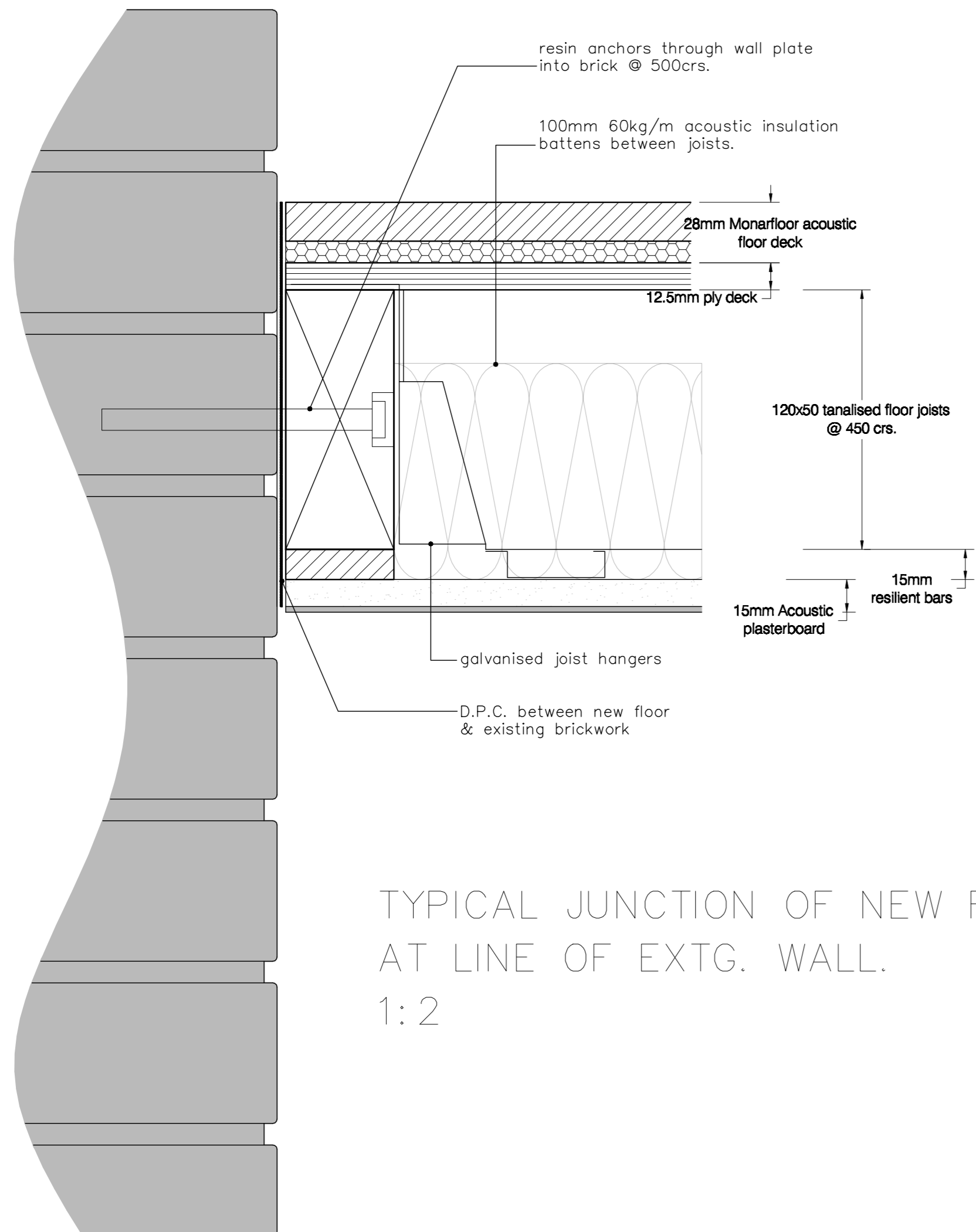
ADDITIONAL IRONMONGERY:
(PER UNIT)
 1xSASH FASTENER
 2no. SASH LIFTS
 2no. SECURITY SASH SCREWS
 SPECIFICATION T.B.C.

ALL SEALS BEADS AND GLAZING COMPONENTS BY REDDISEALS.co.uk



W.203 – NEW WINDOW SET OUT
1:5

W.203 – WINDOW DETAILS
1:2



TYPICAL JUNCTION OF NEW FLOOR
AT LINE OF EXTG. WALL.
1:2

etchdesignlimited

REV. floor level +16.140		PROJECT	81 BELSIZE LANE, LONDON, NW9 5AU		82 Mount View Road London NW4 4JF Tel: 0208 340 2003 info@etchdesign.com	
ISSUE STATUS		DRAWING	DETAILS			
		DRAWING No.	ED/81BL/501	DRAWN BY		MC
		DATE	MAY 14	SCALE		1:5