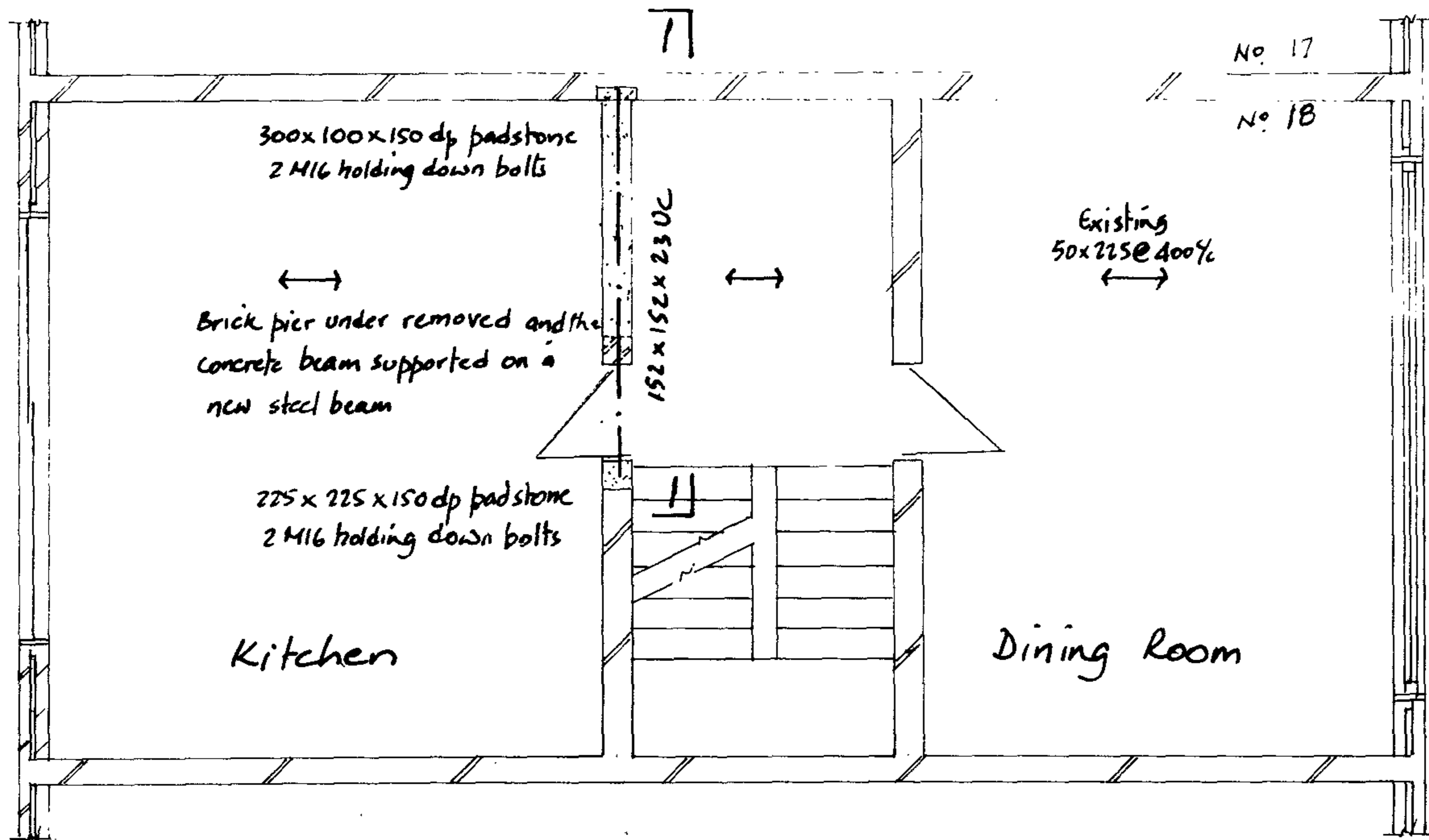
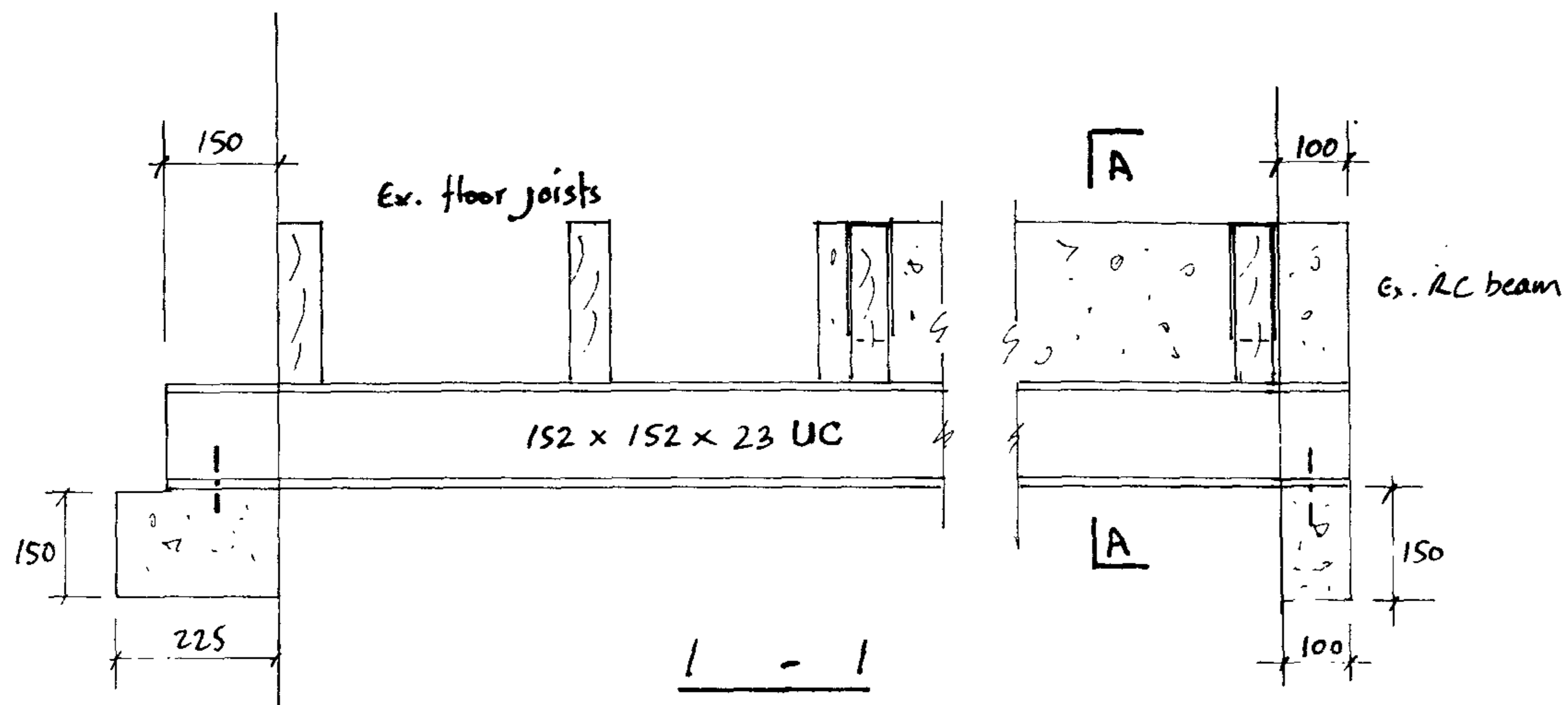
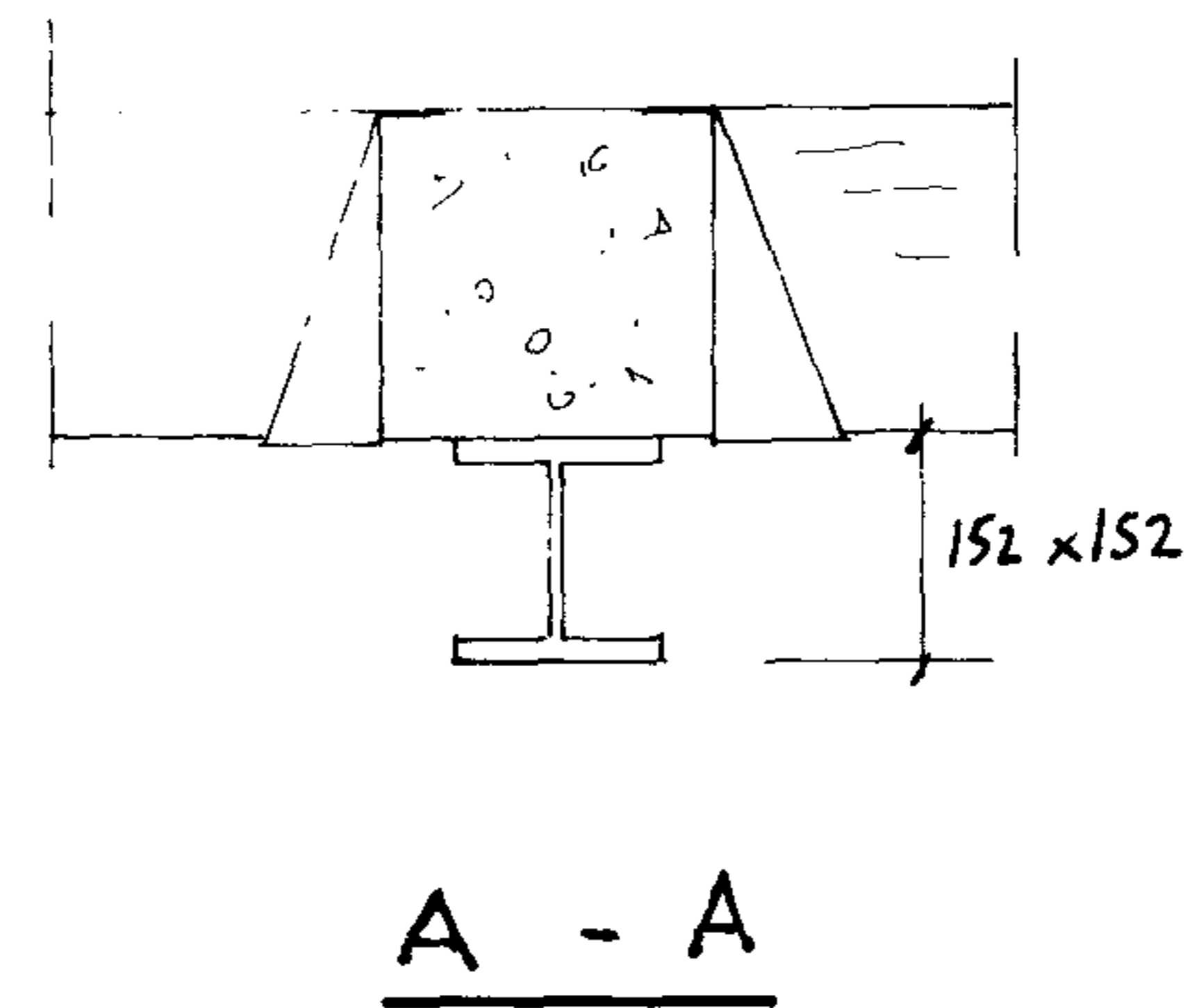


<b>J.H.David &amp; Associates</b>		
Consulting Engineers and Surveyors 129 Station Road, Hendon, London NW4 4NJ Tel: 020 8202 7418 Fax: 020 8202 4275		
Project		
18 Meadowbank NW3		
Ground Floor Plan		
Scale	Date	Drg No.
1:50	Jan 2006	ME/05/11



1st Floor Plan (showing beam over)



## J.H. David & Associates

Consulting Engineers and Surveyors

129 Station Road, Hendon, London NW4 4NJ

Tel: 020 8202 7418 Fax: 020 8202 4275

Project

18 Meadowbank NW3

Refurbishing 1st Floor

Scale

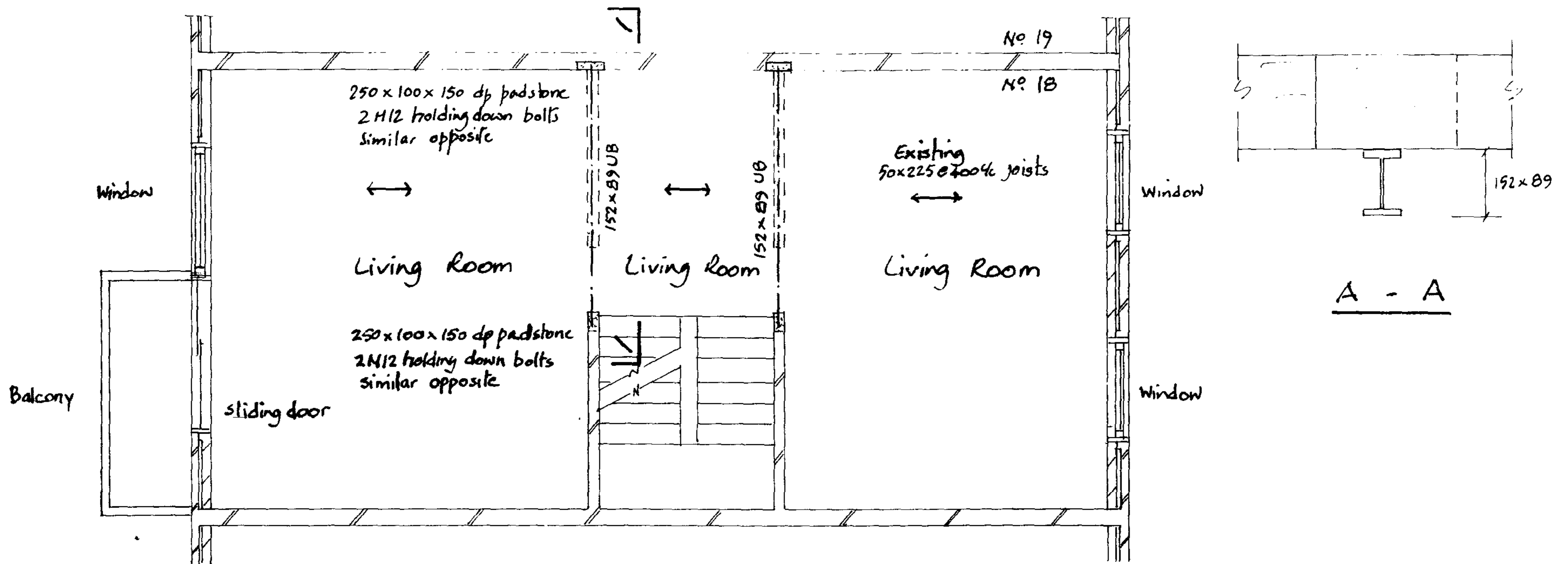
1:10 1:50

Date

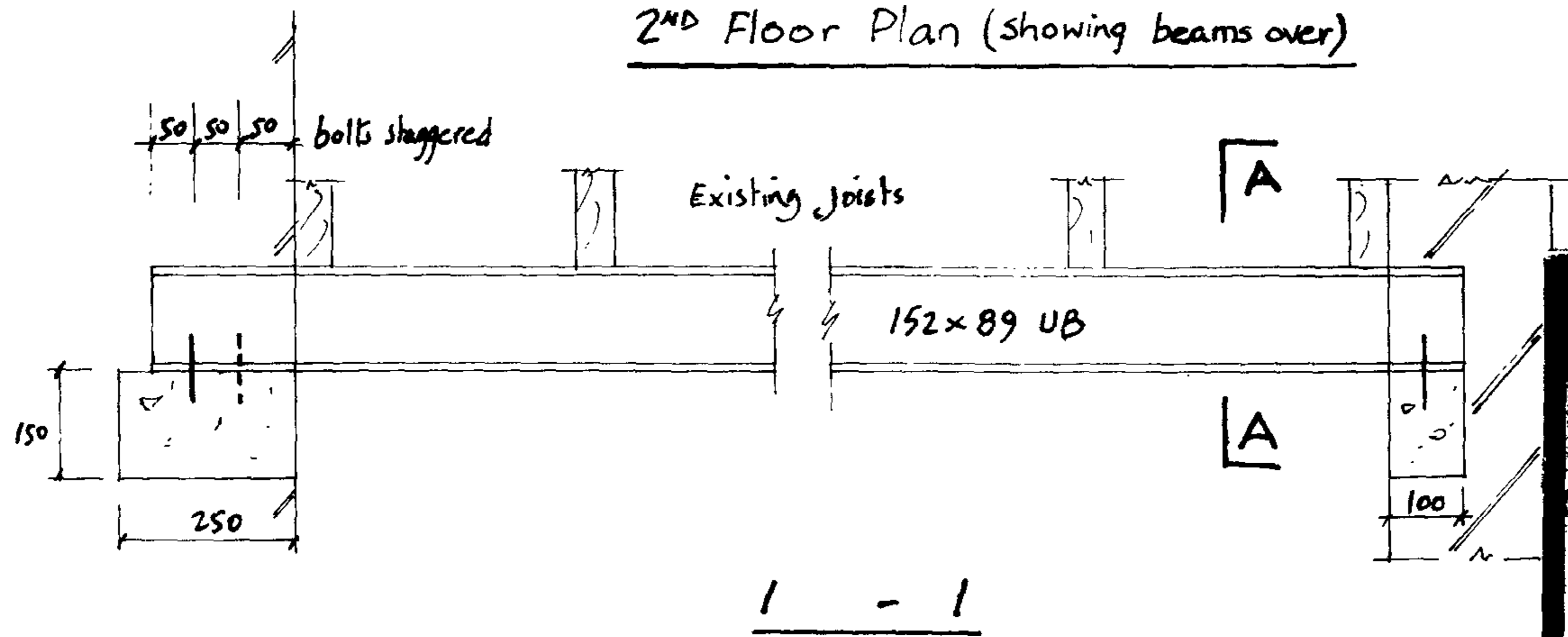
Nov 2005

Dwg No.

ME/05/2



2<sup>ND</sup> Floor Plan (showing beams over)



**J.H. David & Associates**

Consulting Engineers and Surveyors  
 129 Station Road, Hendon, London NW4 4NJ  
 Tel: 020 8202 7416 Fax: 020 8202 4275

Project

18 Meadowbank NW3  
 Refurbishing 2<sup>ND</sup> floor

Scale

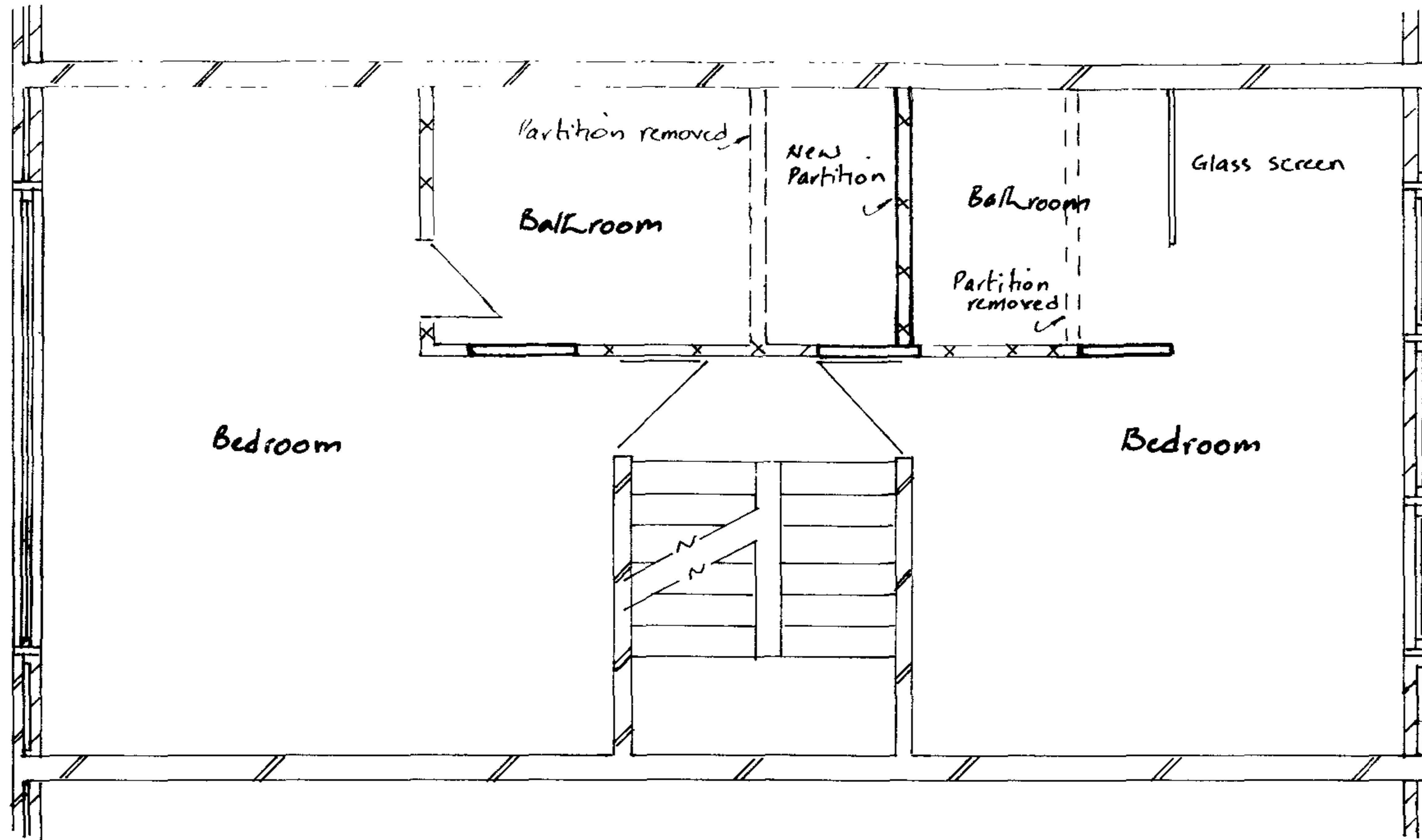
1:10 1:50

Date

Nov 2005

Dwg No.

ME/05/3



3rd Floor Plan

**J.H.David & Associates**

Consulting Engineers and Surveyors

129 Station Road, Hendon, London NW4 4NJ

Tel: 020 8202 7418 Fax: 020 8202 4275

Project

18 Meadowbank NW3

Refurbishing Bathrooms 3rd Floor Plan

Scale

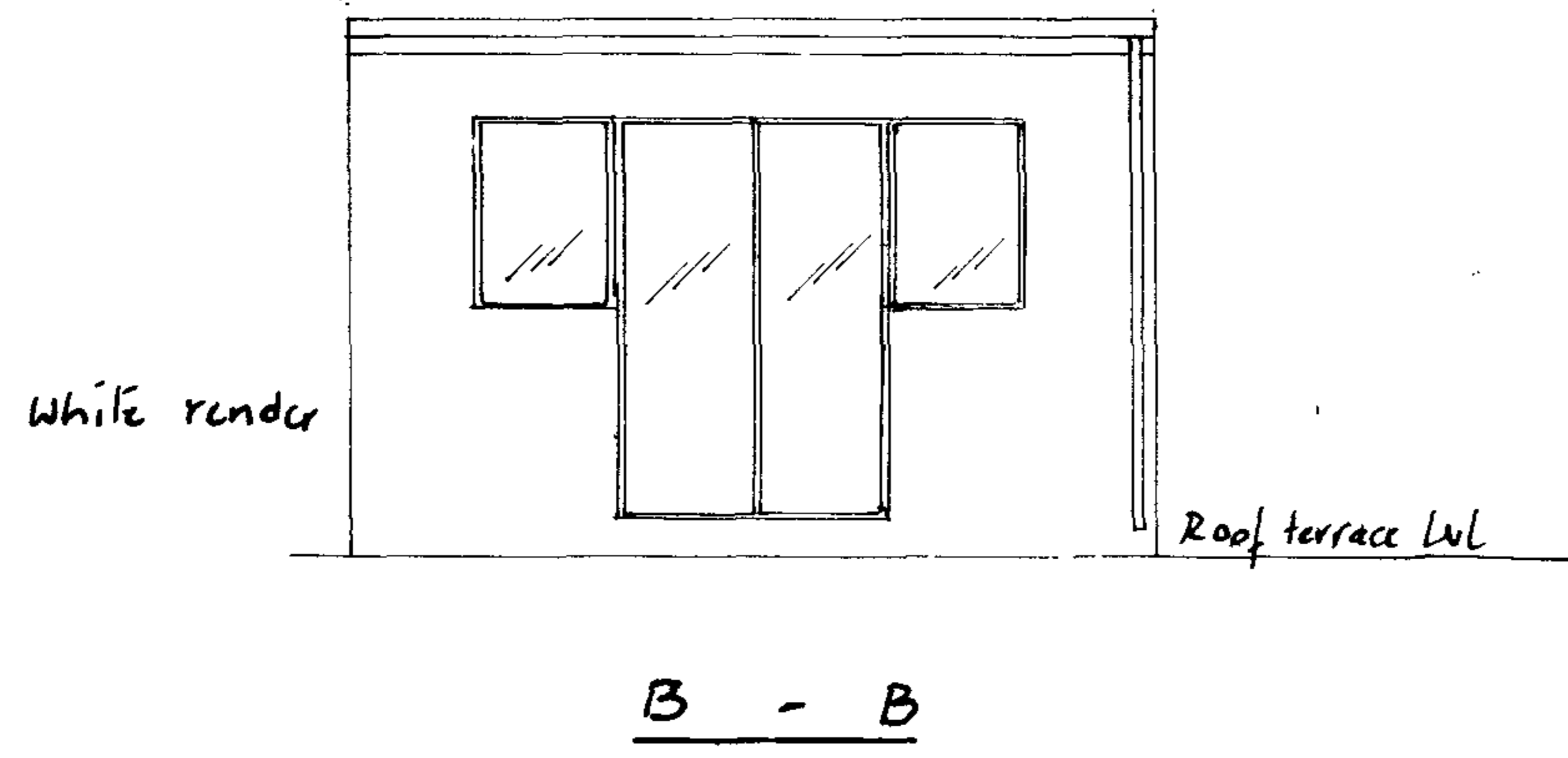
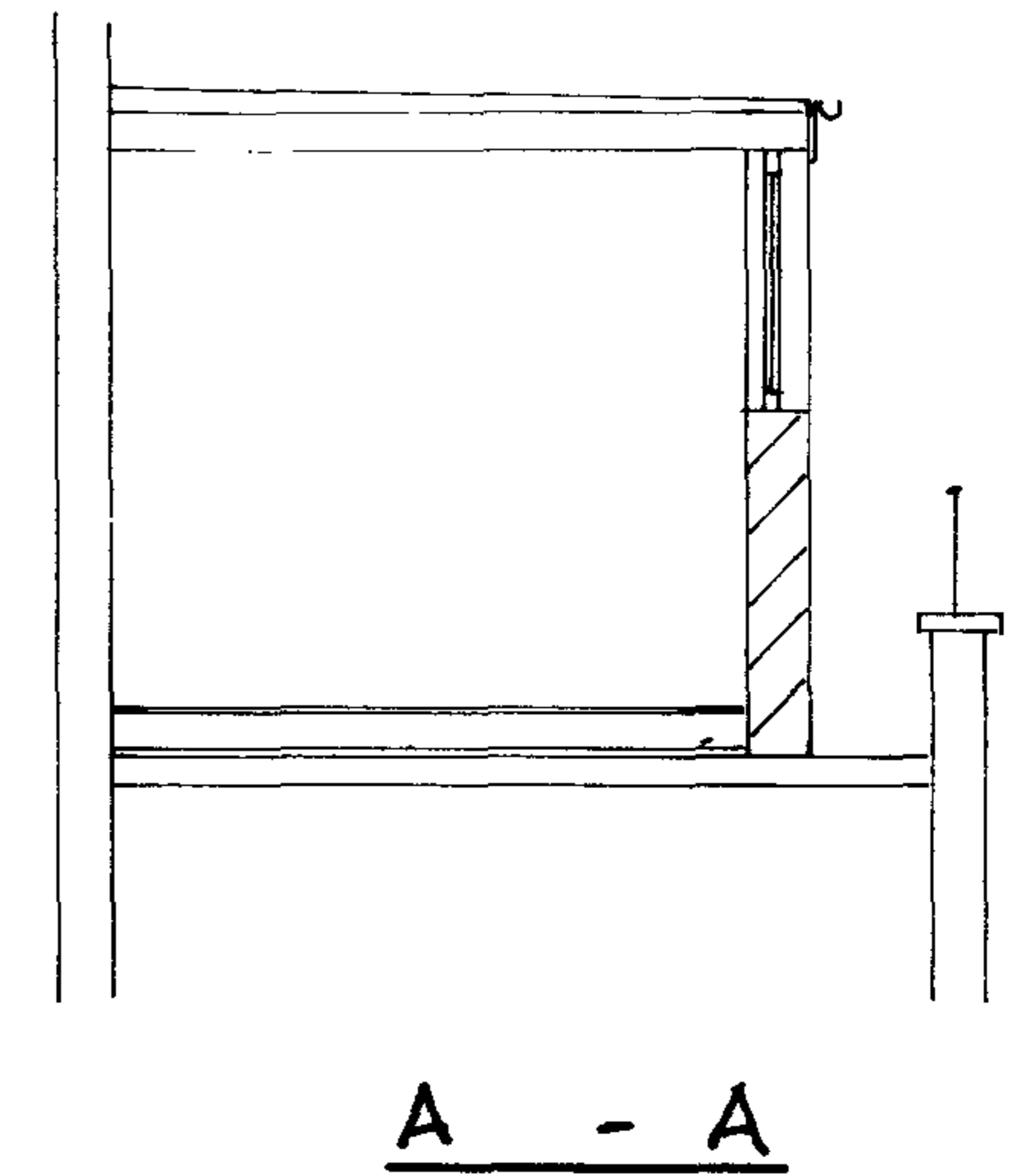
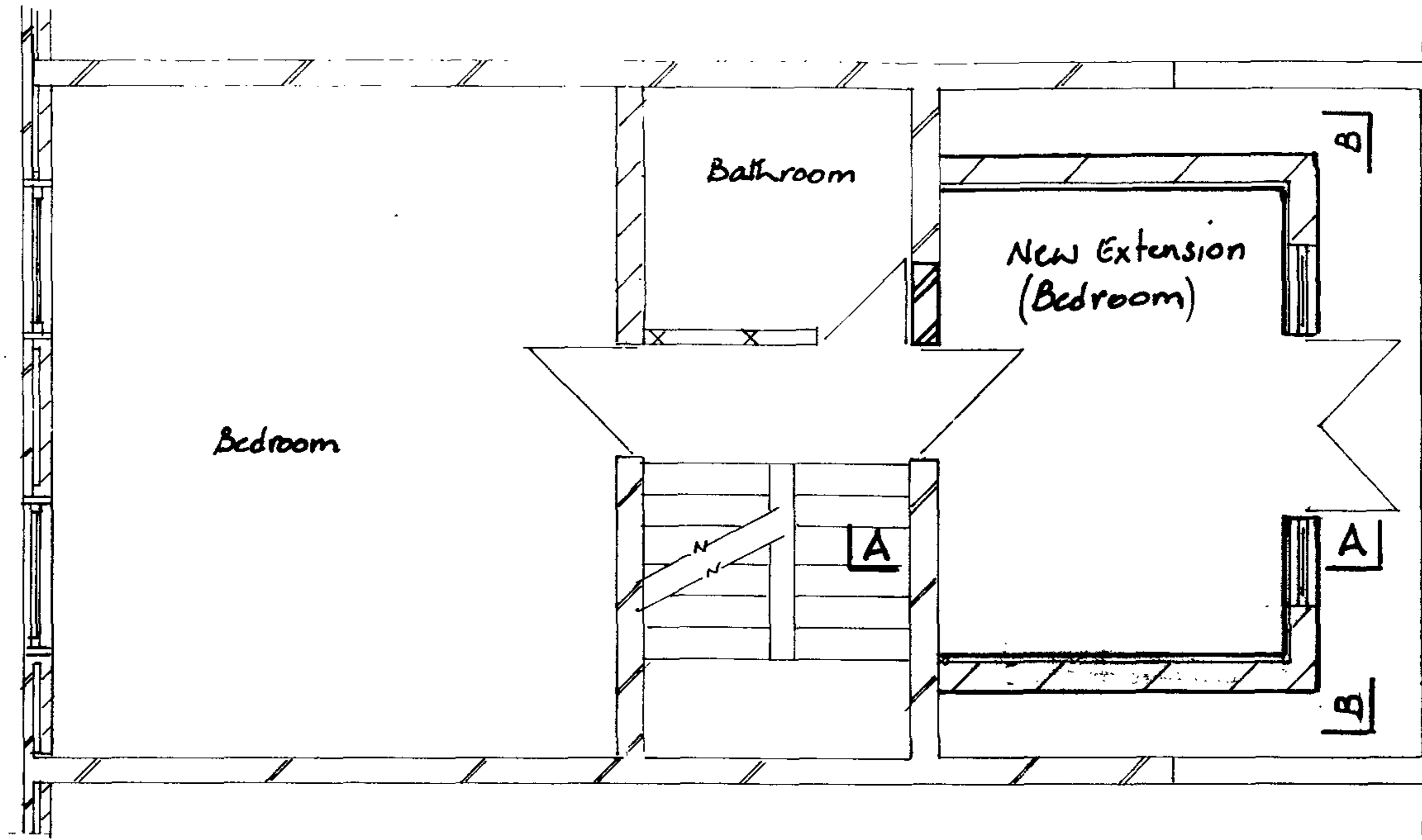
1:50

Date

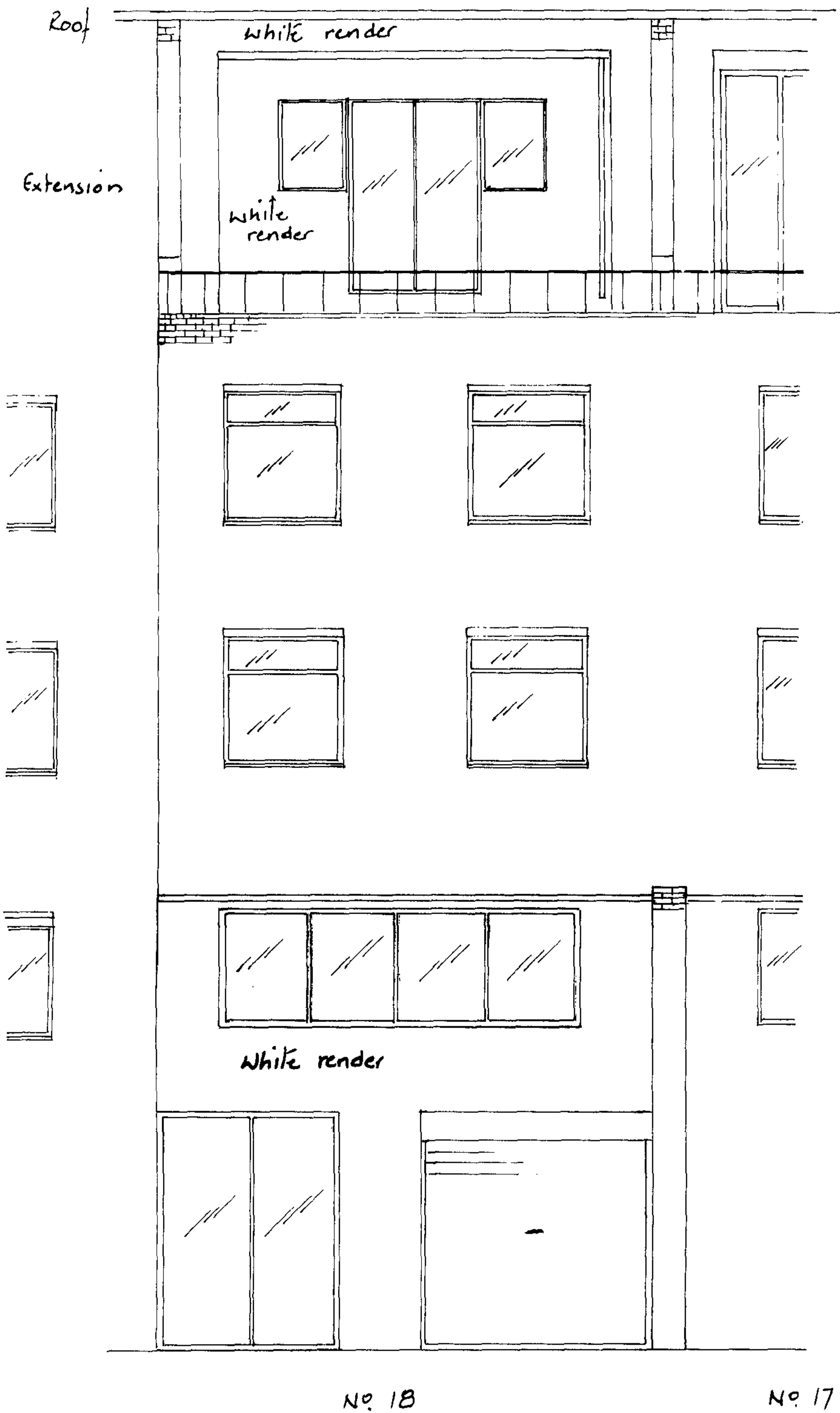
Jan 2006

Drg No.

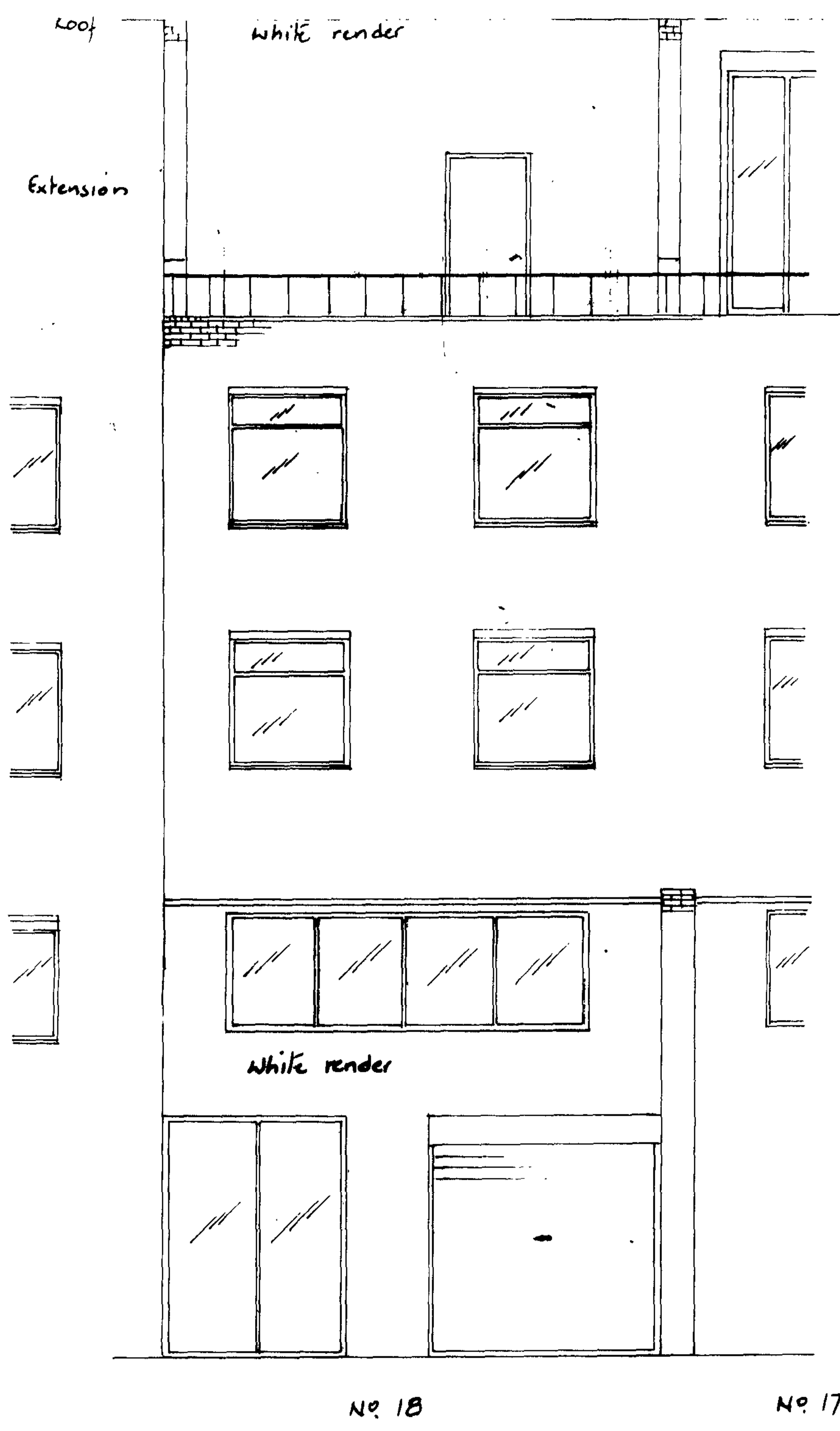
ME/05/4



<b>J.H. David &amp; Associates</b>		
Consulting Engineers and Surveyors 129 Station Road, Hendon, London NW4 4NJ Tel: 020 8202 7416 Fax: 020 8202 4275		
Project		
18 Meadowbank NW3		
New Roof Extension & 4 <sup>th</sup> Floor Plan		
Scale	Date	Dwg No.
1:50	Jan 2006	ME/05/5



<b>J.H. David &amp; Associates</b>		
Consulting Engineers and Surveyors 129 Station Road, Hendon, London NW4 4NJ Tel: 020 8202 7418 Fax: 020 8202 4275		
Project		
18 Meadowbank NW3 Elevation		
Scale	Date	Drg No.
1:50	Jan 2006	ME/05/6



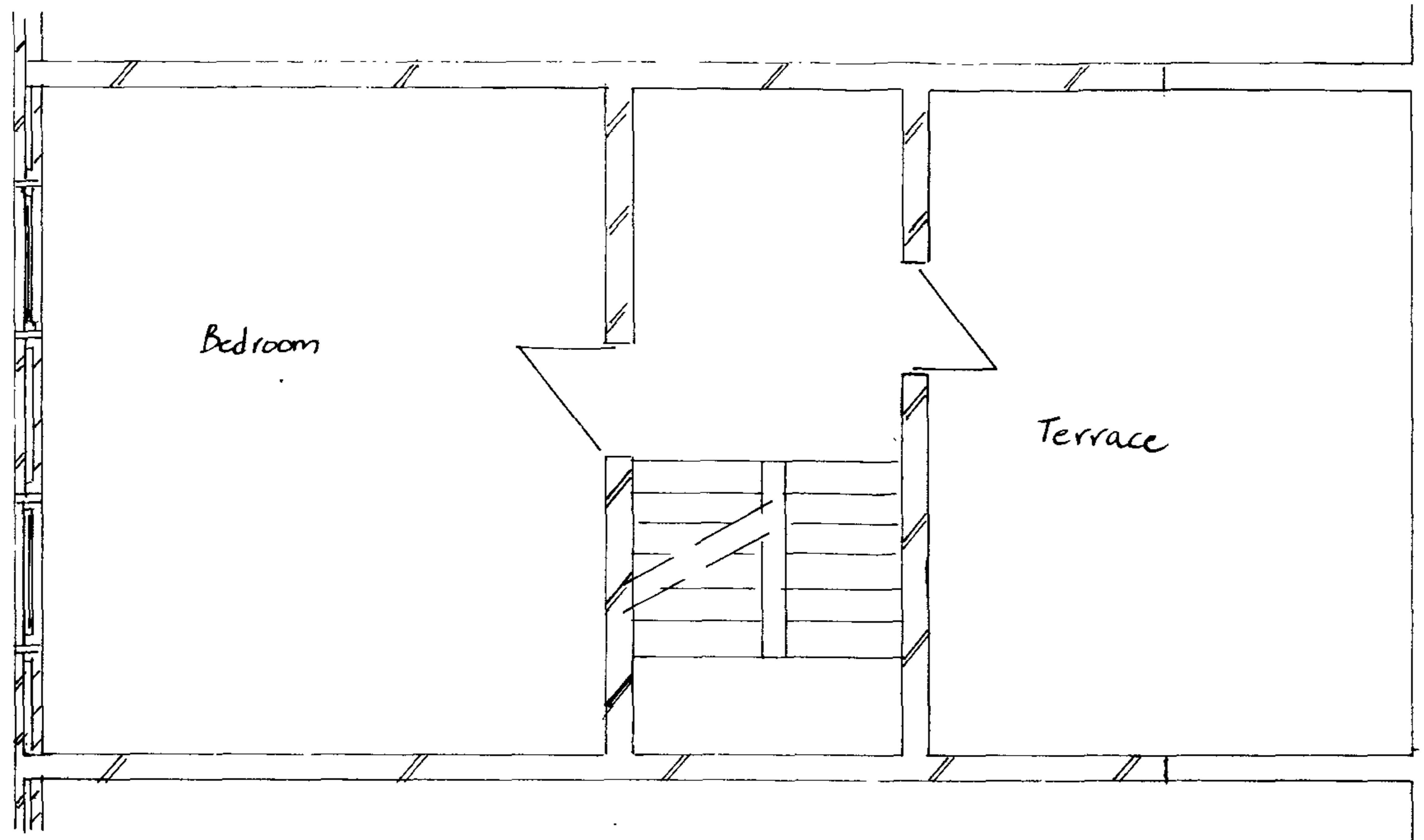
**J.H. David & Associates**  
 Consulting Engineers and Surveyors  
 129 Station Road, Hendon, London NW4 4NJ  
 Tel: 020 8202 7418 Fax: 020 8202 4275

---

Project  
 18 Meadowbank NW3  
 Ex. Elevation

---

Scale 1:50	Date Jan 2006	Drg No. ME/05/7
---------------	------------------	--------------------



## **J.H.David & Associates**

Consulting Engineers and Surveyors

129 Station Road, Hendon, London NW4 4NJ

Tel: 020 8202 7418 Fax: 020 8202 4275

Project

18 Meadowbank NW3

Ex. Terrace & 4<sup>th</sup> Floor Plan

Scale

1:50

Date

14 Feb 06

Dwg No.

ME/05/8