

St Pancras Station

King's Cross Central Development in Background

Pancras Road

Great Northern Hotel
Outside scope of these applications

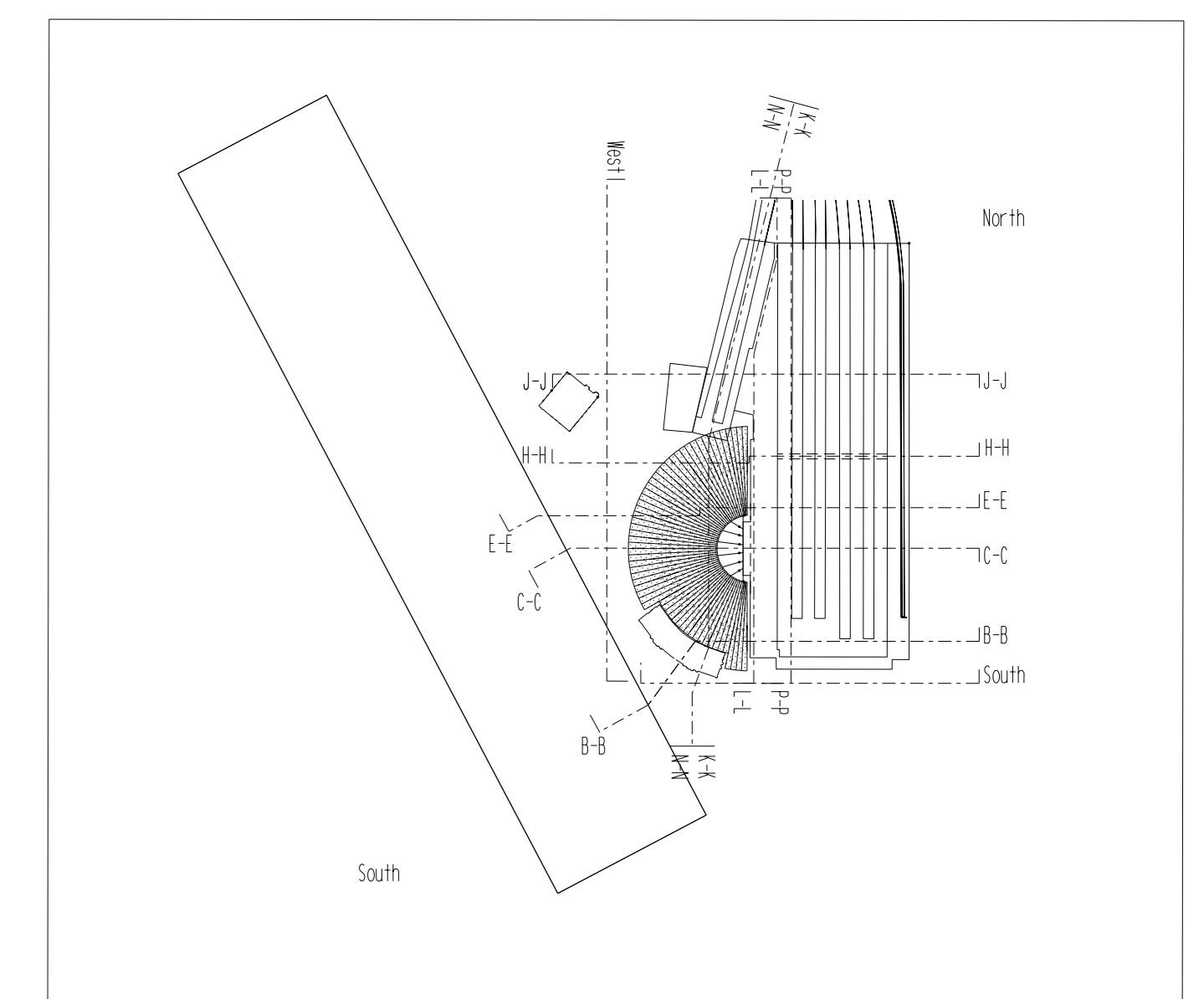
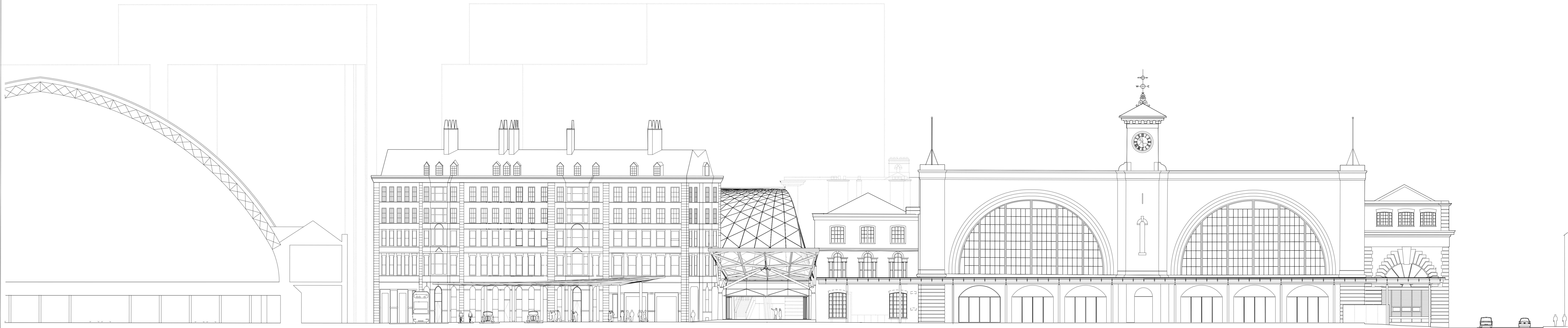
NR Western Concourse

Western Range
Southern Wing

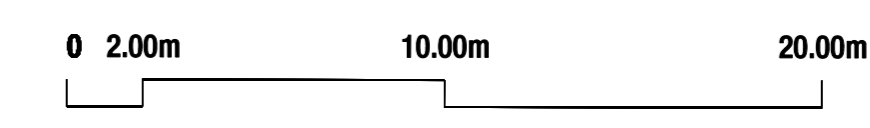
King's Cross Station
Main Train Shed

Eastern Range

York Way



Do not scale from this drawing.		Revisions		Drawn	Checked
All dimensions are to be checked on site and any discrepancies noted in writing to JMP.		Rev.	Date	JMP	AB
All dimensions are in millimetres unless noted otherwise.		01	13.03.2006	JMP	HA
If in doubt ask the Contract Administrator.		02	14.07.2006	JMP	HA
		Description			
		Stage D proposal			
		Stage D proposal, canopies, annotation amended			
		Issued for Planning / Listed Building Application			



King's Cross Station Enhancement PA South Elevation.			
scale	1:200	at A0	job no. 1163
date	19.12.2005	drawn by	JMP
drawing status	Planning/ Listed Building Application	checked by	HA
drawing no.	AL-041	revision	02

John McAslan + Partners
 43 Finsbury Place
 London W11 4GA
 Telephone: 020 7727 2800
 Facsimile: 020 7727 8800
 mail@mcaslan.co.uk
 www.mcaslan.co.uk

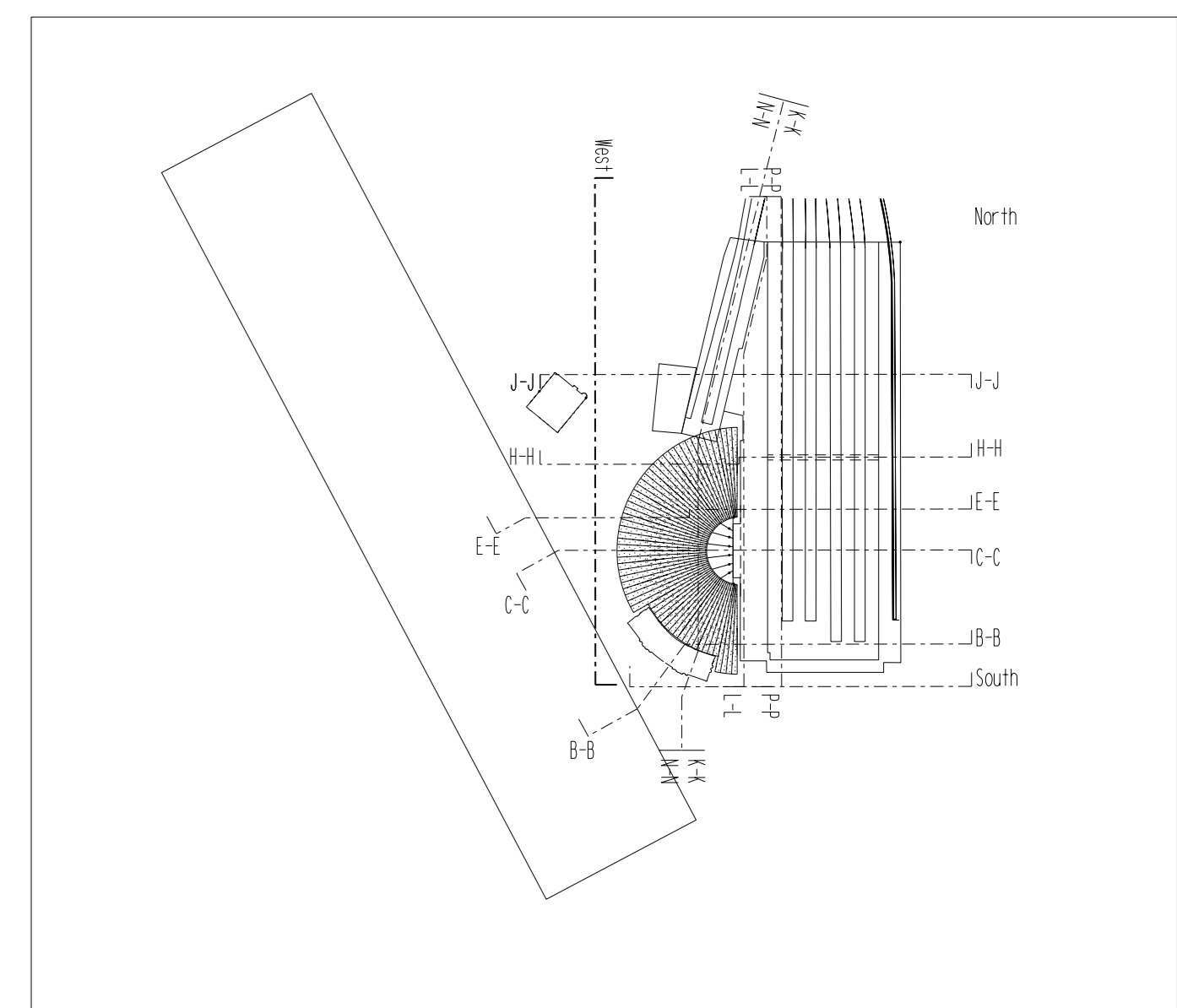
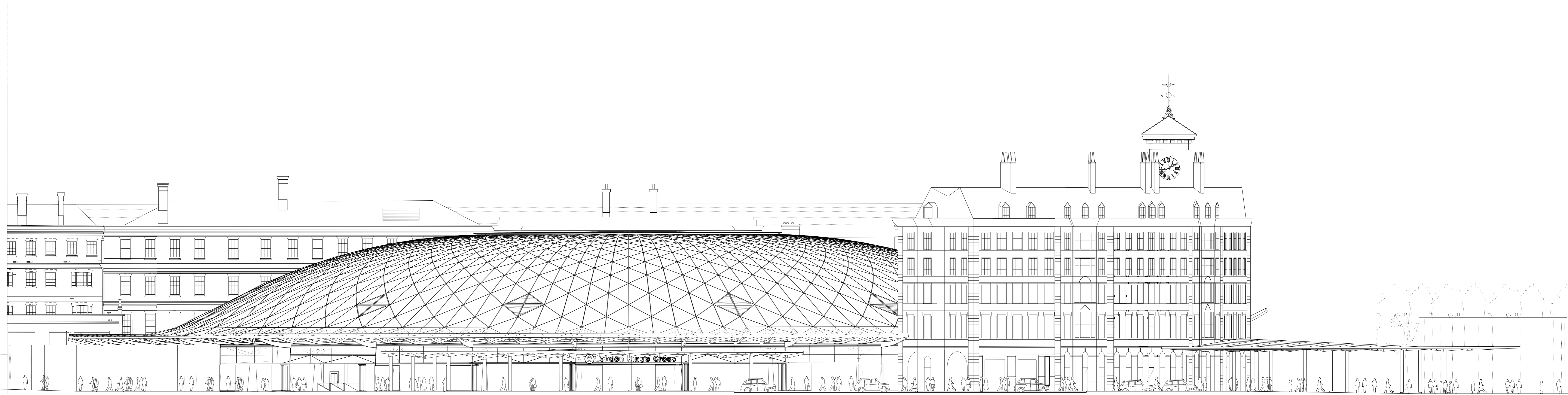
King's Cross Central Development

Western Range in Background

NR Western Concourse

Great Northern Hotel
Outside scope of these applications

Southern Square



0 2.00m 10.00m 20.00m

King's Cross Station Enhancement PA
West Elevation.

scale 1:200 at A0 job no. 11193
date 19.12.2005 drawing by JMP
drawing status Planning Listed Building Application checked by HA
drawing no. AL-042 revision 02

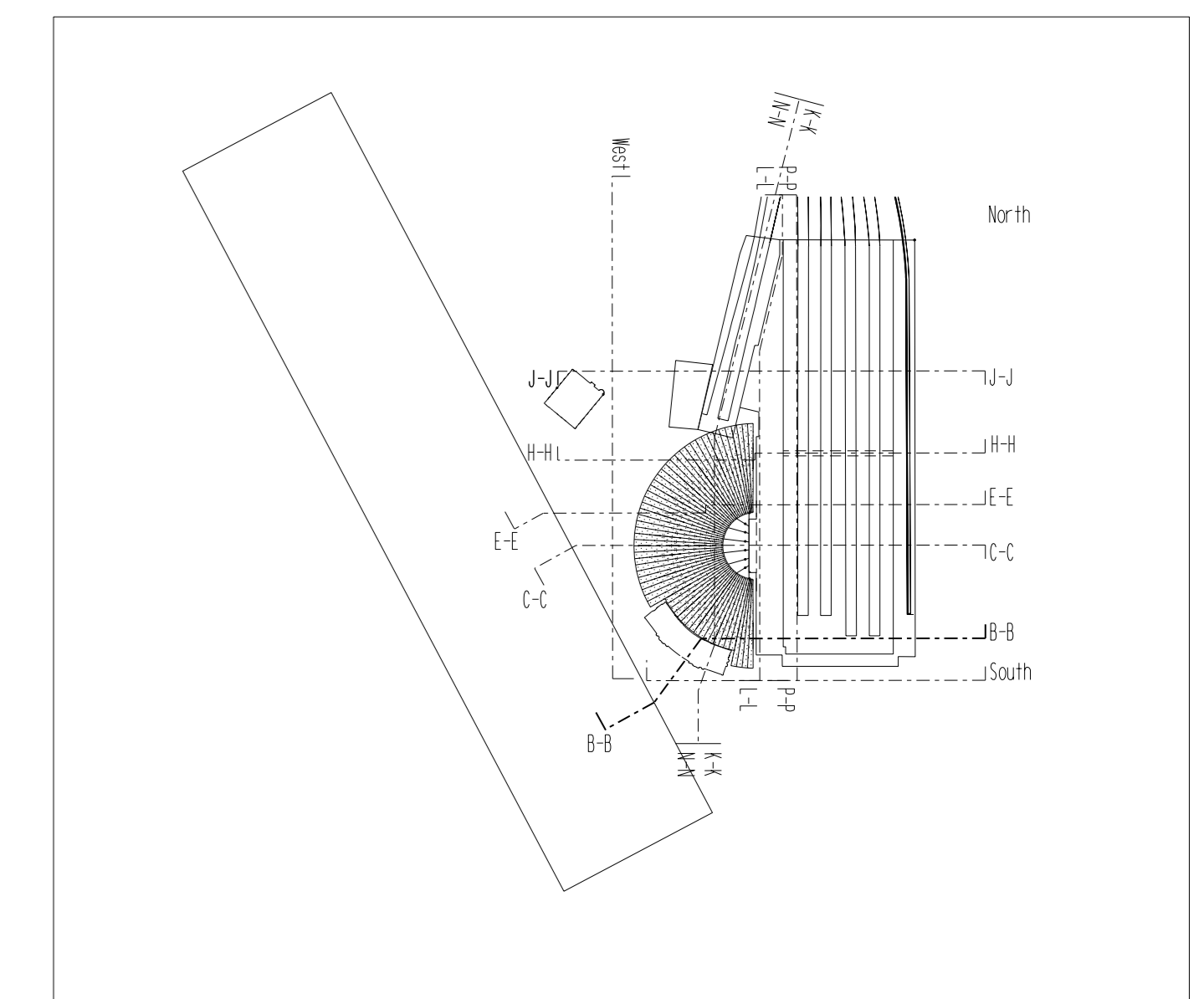
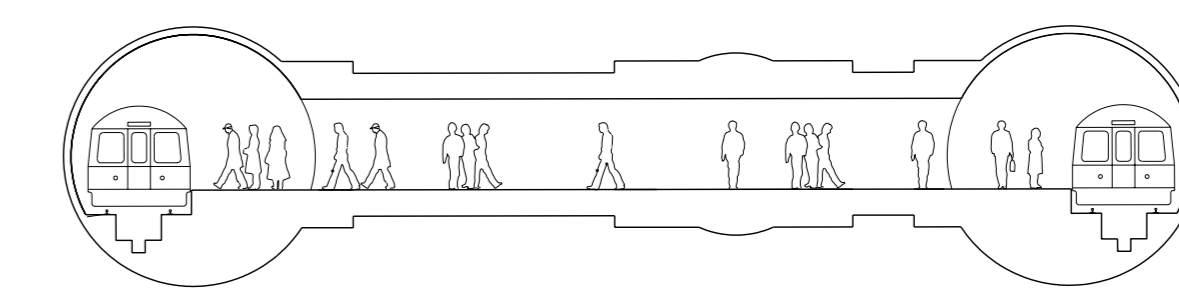
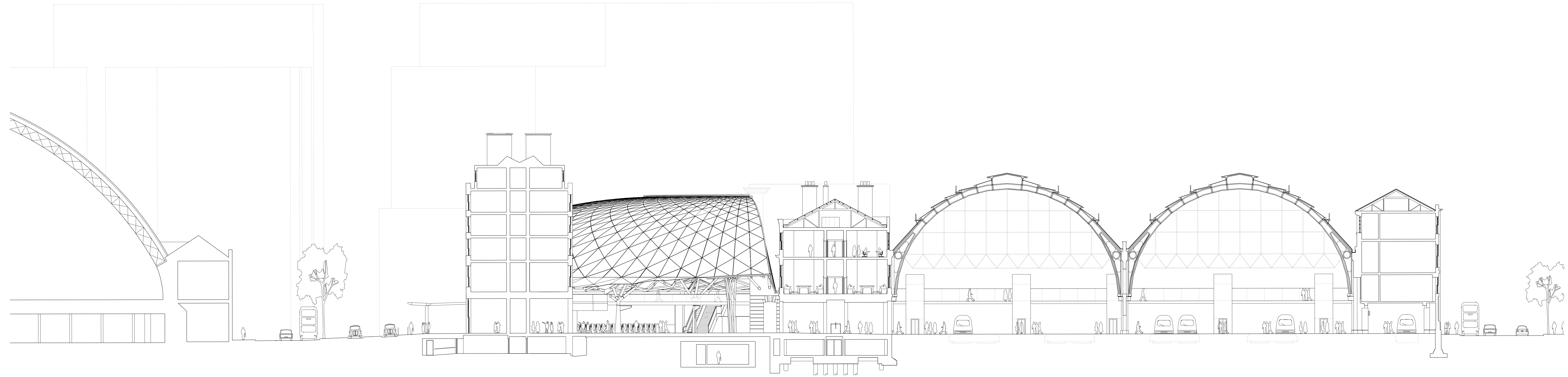
John McAslan + Partners

40 Princes Street
London W1T 4GA
Telephone: 020 7737 2883
Facsimile: 020 7251 8895
mailto:mcaslan@mcaslan.co.uk
www.mcaslan.co.uk

Do not scale from this drawing.
All dimensions are to be checked on site and any discrepancies noted in writing to JMP.
All dimensions are in millimetres unless noted otherwise.
If in doubt ask the Contract Administrator.

Revisions	Drawn	Checked
Rev. Date Description	JMP	AB
00 19.12.2005 Stage D proposal	JMP	HA
01 13.03.2006 Stage D proposal, canopies, annotation amended	JMP	HA
02 14.07.2006 Issued for Planning / Listed Building Application	JMP	HA

St. Pancras Station King's Cross Central Development in background Pancras Road Great Northern Hotel
Outside scope of these applications NR Western Concourse Western Range New Passenger Bridge Link
with MIP Lifts and Escalator Access
to all Platforms King's Cross Station
Main Train Shed Eastern range York Way



Rev.	Date	Description	Drawn	Checked
00	19.12.2005	Stage D proposal	JMP	AB
01	13.03.2006	Stage D proposal, canopies, annotation amended	JMP	HA
02	14.07.2006	Issued for Planning / Listed Building Application	JMP	HA

0 2.00m 10.00m 20.00m

King's Cross Station Enhancement PA
Section B-B
scale 1:200 at A0 job no. 1193
date 19.12.2005 drawing by JMP
drawing status Planning Listed Building Application checked by HA
drawing no. AL-052 revision 02

John McAslan + Partners
40 Prince Street
London W1T 4GA
Telephone: 020 7721 2885
Facsimile: 020 7721 8895
mailto:info@mcaslan.co.uk
www.mcaslan.co.uk

York Way

Eastern Range

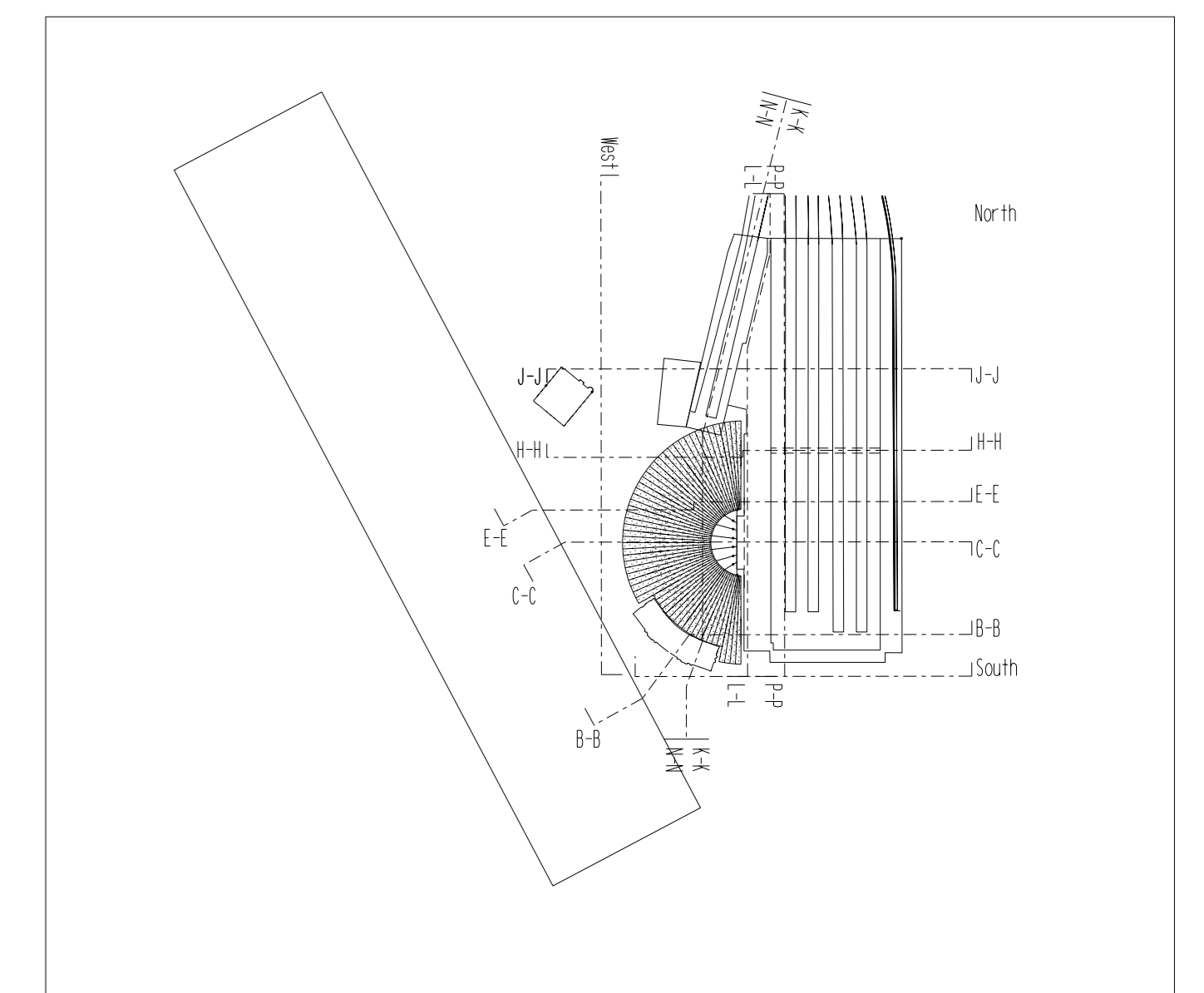
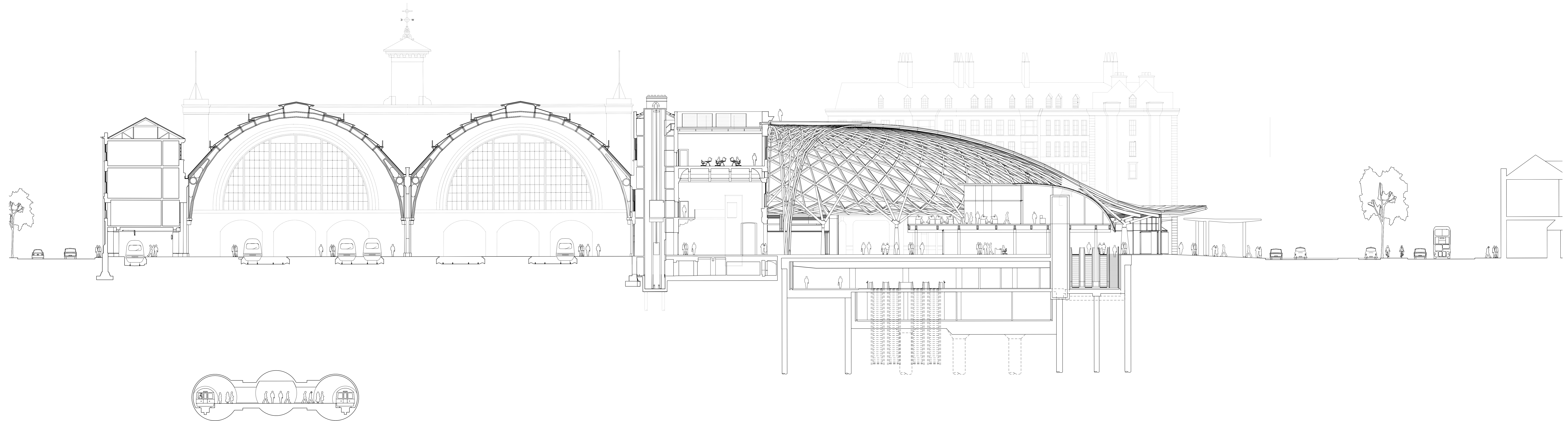
King's Cross Station Main Train Shed

Western Range
Central Block

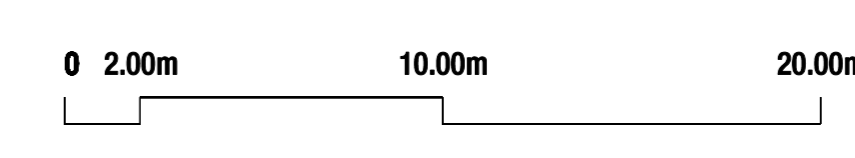
Great Northern Hotel
Outside scope of these applications

Pancras Road

St. Pancras



<p>Do not scale from this drawing. All dimensions are to be checked on site and any discrepancies noted in writing to JMP. All dimensions are in millimetres unless noted otherwise. If in doubt ask the Contract Administrator.</p>	Revisions		Drawn	Checked
	Rev.	Date		
	00	19.12.2005	JMP	AB
	01	13.03.2006	JMP	HA
	02	14.07.2006	JMP	HA
	Description			
	00 Stage D proposal			
	01 Stage D proposal, canopies, CIS boards, annotation amended			
	02 Issued for Planning / Listed Building Application			



King's Cross Station Enhancement PA
Section C-C
 scale 1:200 at A0 job no. 1153
 date 19.12.2005 drawing by JMP
 drawing status: Planning Listed Building Application checked by HA
 drawing no. AL-053 revision 02

John McAslan + Partners
 40 Princes Street
 London W1J 4GA
 Telephone: 020 7721 2800
 Facsimile: 020 7721 8800
 mail@mcaslan.co.uk
 www.mcaslan.co.uk

Pancras Road

King's Cross Central Development

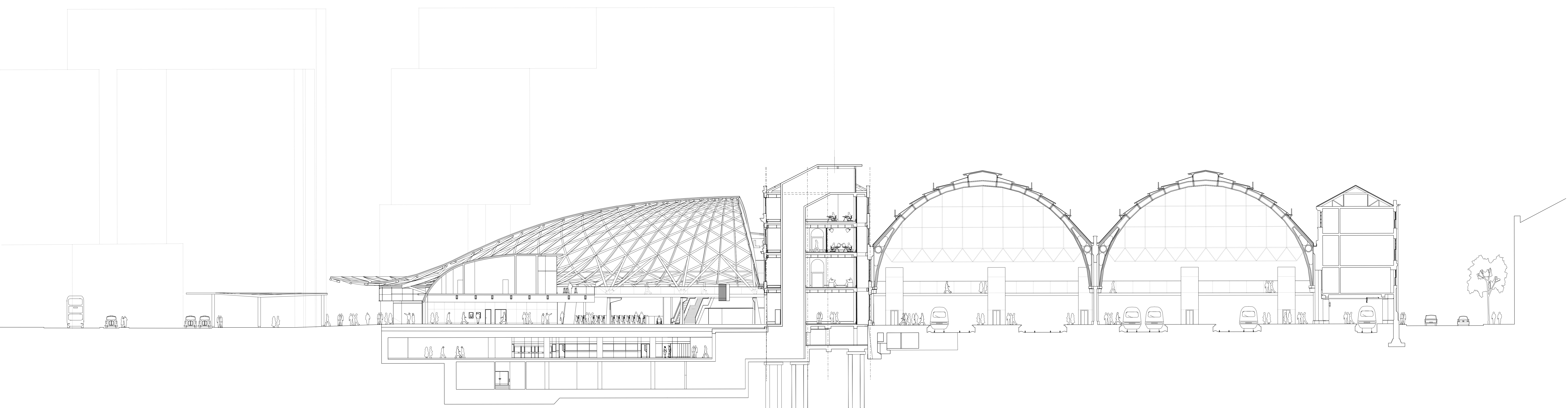
NR Western Concourse

Western Range
Bomb Gap

King's Cross Station Main Train Shed

Eastern Range

York Way

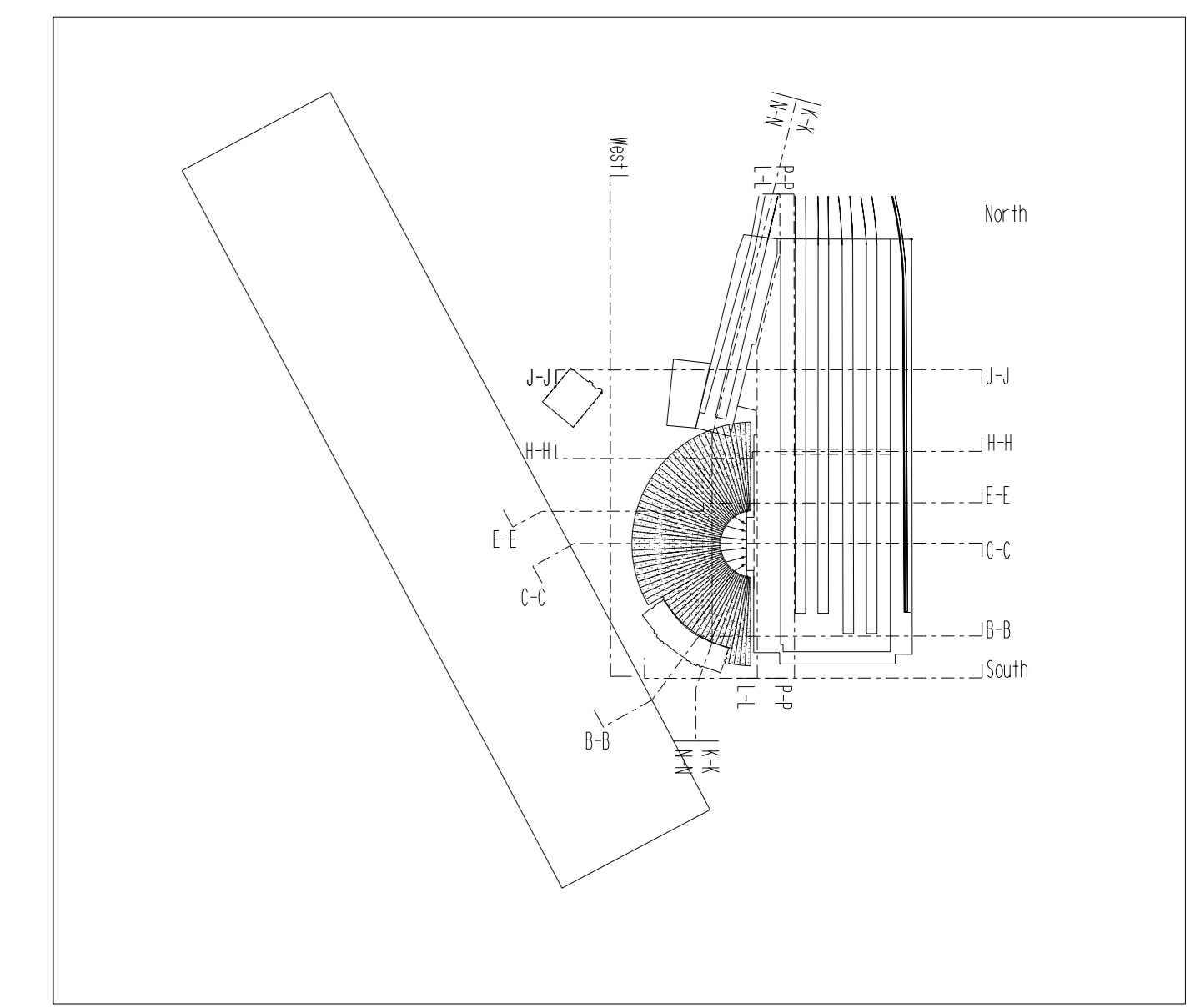
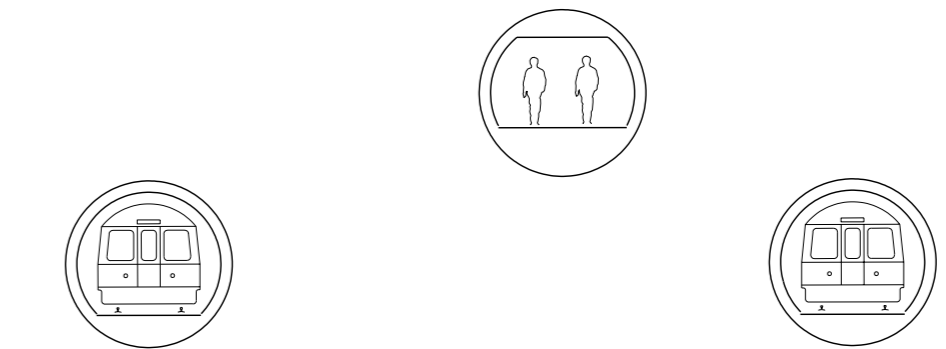


LUL Northern Ticket Hall
Outside scope of these applications

Bomb Gap with

LUL Vents
Outside scope of these applications

New Passenger Bridge Link
with MIP Lifts and Escalator Access
to all Platforms



Do not scale from this drawing.
All dimensions are to be checked on site and any discrepancies noted in writing to JMP.
All dimensions are in millimetres unless noted otherwise.
If in doubt ask the Contract Administrator.

Rev.	Date	Description	Drawn	Checked
00	19.12.2005	Stage D proposal	JMP	AB
01	13.03.2006	Stage D proposal, canopies, annotation amended	JMP	HA
02	14.07.2006	Issued for Planning / Listed Building Application	JMP	HA

0 2.00m 10.00m 20.00m

King's Cross Station Enhancement PA
Section E-E.

scale	1:200	at A0	JOB NO.	1163
date	19.12.2005	drawn by	JMP	
drawing status	Planning/ Listed Building Application	checked by	HA	
drawing no.	AL-055	revision	02	

John McAslan + Partners
40 Piccadilly Place
London W1N 4GA
Telephone: 020 7721 2800
Facsimile: 020 7721 8805
mailto:info@mcaslan.co.uk
www.mcaslan.co.uk

King's Cross Central Development

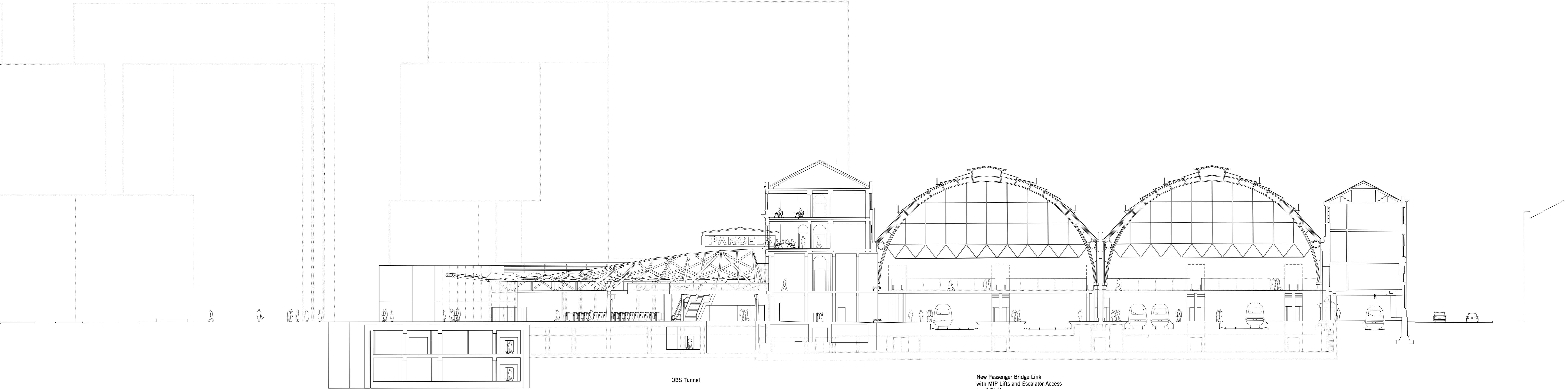
NR Western Concourse

Western Range
Northern Wing

King's Cross Station Main Train Shed

Eastern Range

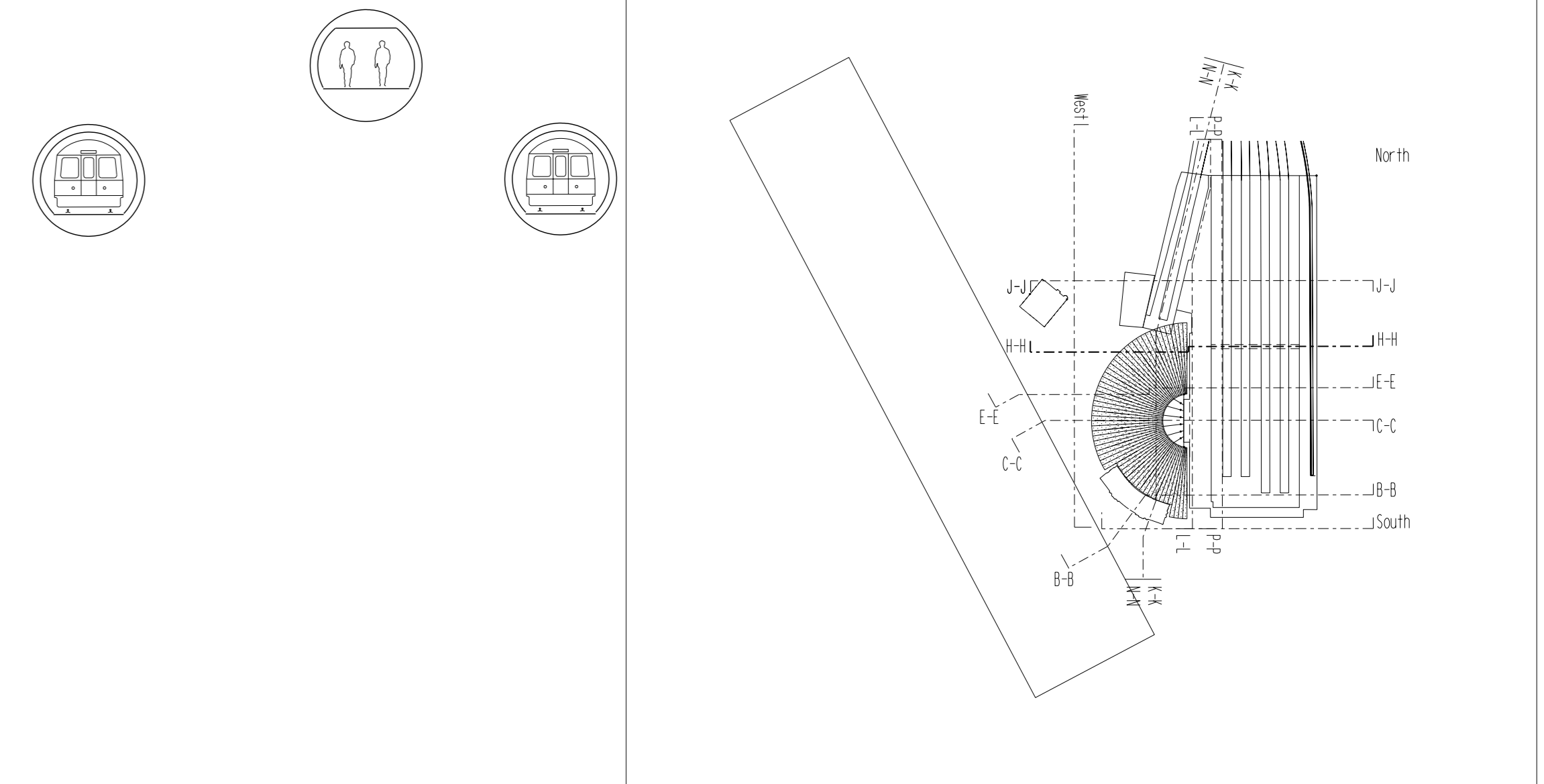
York Way



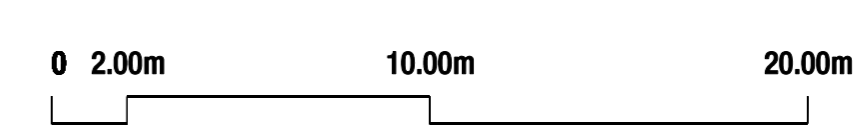
NR Plant Area

OBS Tunnel

New Passenger Bridge Link
with MIP Lifts and Escalator Access
to all Platforms



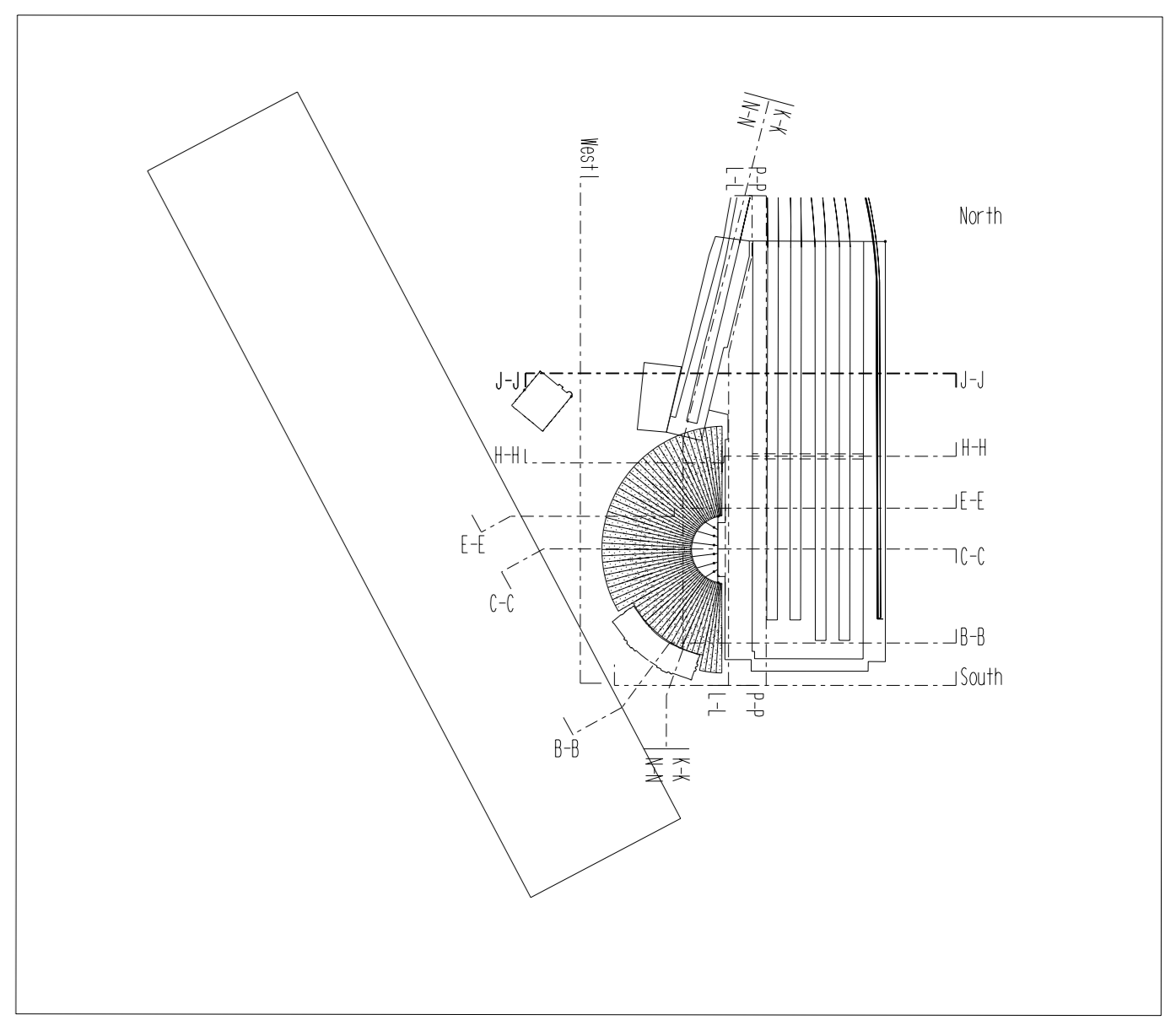
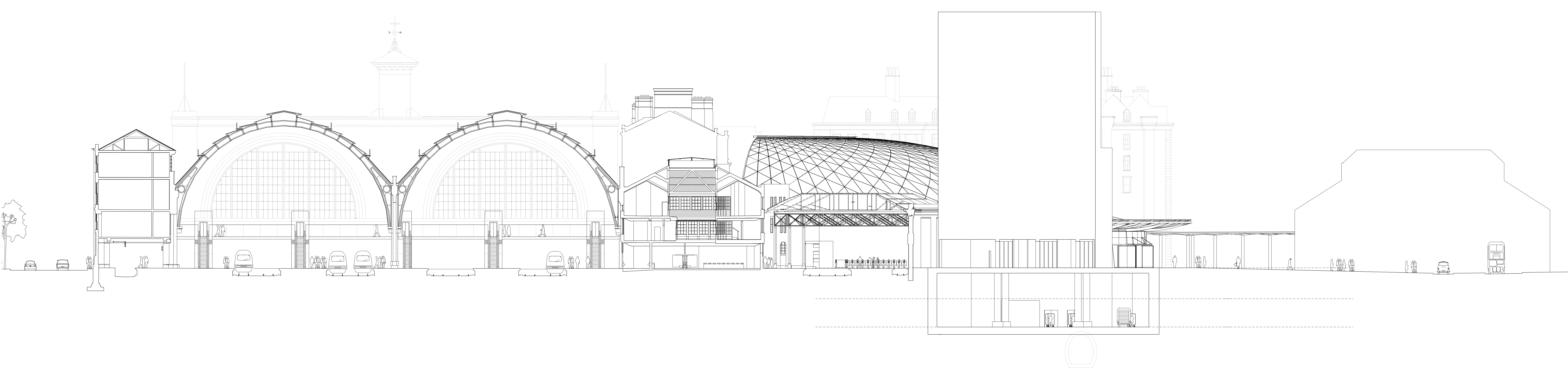
Do not scale from this drawing. All dimensions are to be checked on site and any discrepancies noted in writing to JMP. All dimensions are in millimetres unless noted otherwise. If in doubt ask the Contract Administrator.		Revisions <table border="1"> <thead> <tr> <th>Rev.</th> <th>Date</th> <th>Description</th> </tr> </thead> <tbody> <tr> <td>00</td> <td>19.12.2005</td> <td>Stage D proposal</td> </tr> <tr> <td>01</td> <td>13.03.2005</td> <td>Stage D proposal, annotation amended</td> </tr> <tr> <td>02</td> <td>14.07.2005</td> <td>Issued for Planning / Listed Building Application</td> </tr> </tbody> </table>		Rev.	Date	Description	00	19.12.2005	Stage D proposal	01	13.03.2005	Stage D proposal, annotation amended	02	14.07.2005	Issued for Planning / Listed Building Application	<table border="1"> <thead> <tr> <th>Drawn</th> <th>Checked</th> </tr> </thead> <tbody> <tr> <td>JMP</td> <td>AB</td> </tr> <tr> <td>JMP</td> <td>HA</td> </tr> <tr> <td>JMP</td> <td>HA</td> </tr> </tbody> </table>		Drawn	Checked	JMP	AB	JMP	HA	JMP	HA
Rev.	Date	Description																							
00	19.12.2005	Stage D proposal																							
01	13.03.2005	Stage D proposal, annotation amended																							
02	14.07.2005	Issued for Planning / Listed Building Application																							
Drawn	Checked																								
JMP	AB																								
JMP	HA																								
JMP	HA																								



King's Cross Station Enhancement PA			
Section H-H			
scale	1:200	at A0	JOB NO. 11193
date	19.12.2005	drawn by	JMP
drawing status	Planning Listed Building Application	checked by	HA
drawing no.	AL-058	revision	02

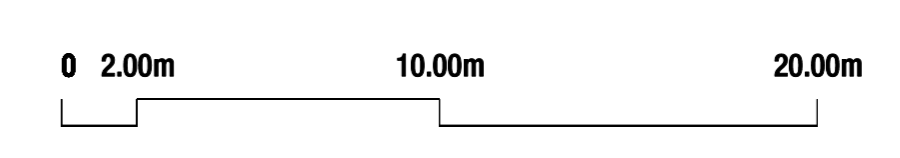
John McAslan + Partners
 40 Princes Street
 London W11 4GA
 Telephone: 020 7721 2883
 Facsimile: 020 7721 8895
 mail@mcaslan.co.uk
 www.mcaslan.co.uk

York Way Eastern Range King's Cross Station Main Train Shed Western Range in background NR Western Concourse in background North West Building King's Cross Station Suburban Train Shed Great Northern Hotel Outside scope of these applications King's Cross Central Development German Gymnasium



Do not scale from this drawing.
 All dimensions are to be checked on site and any discrepancies noted in writing to JMP.
 All dimensions are in millimetres unless noted otherwise.
 If in doubt ask the Contract Administrator.

Rev.	Date	Description	Drawn	Checked
00	19.12.2005	Stage D proposal	JMP	AB
01	13.03.2006	Stage D proposal, canopies, annotation amended	JMP	HA
02	14.07.2006	Issued for Planning / Listed Building Application	JMP	HA



King's Cross Station Enhancement PA
Section J-J
 scale: 1:200 at A0 job no: 1153
 date: 19.12.2005 drawing by: JMP
 drawing status: Planning/ Listed Building Application checked by: HA
 drawing no: AL-059 revision: 02

John McAslan + Partners
 40 Princes Street
 London W1H 4GA
 Telephone: 020 7721 8885
 Facsimile: 020 7721 8885
 mail@mcaslan.co.uk
 www.mcaslan.co.uk

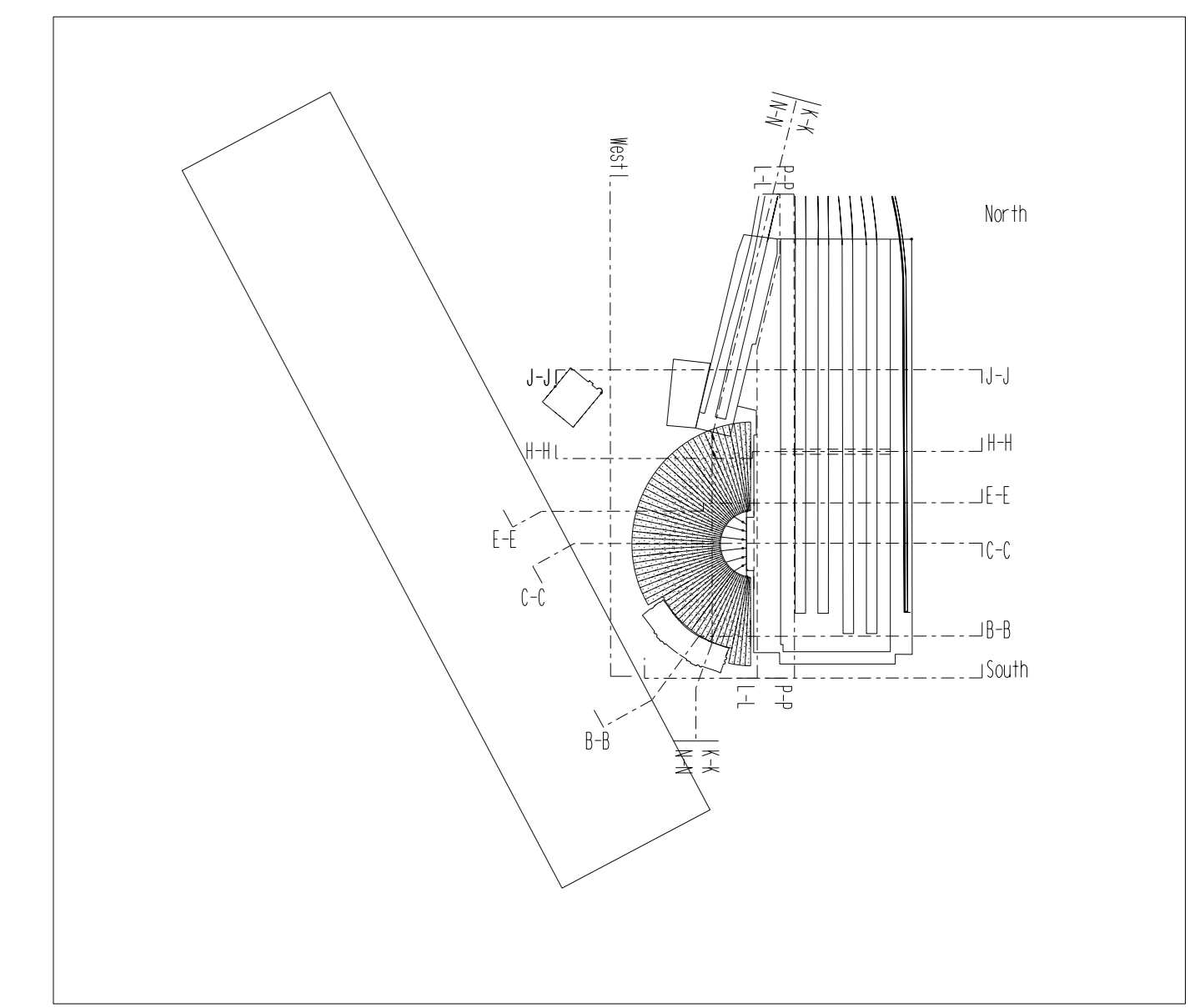
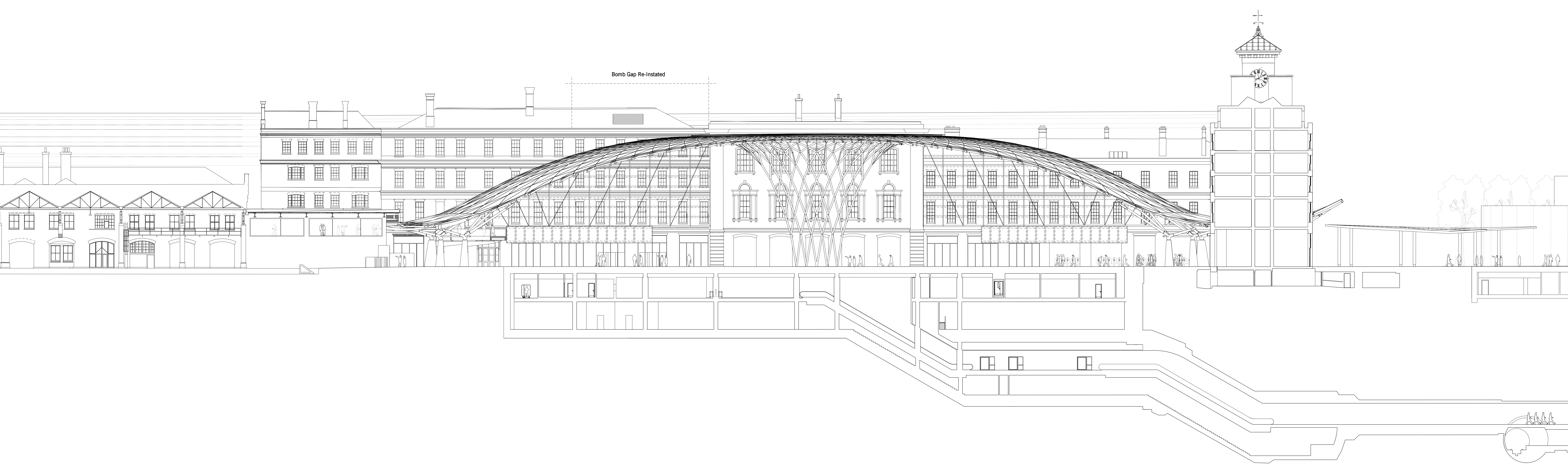
Western Shed

NR Western Concourse
Northern Ticket Hall below
Outside scope of these applications

Great Northern Hotel
Outside scope of these applications

Southern Square

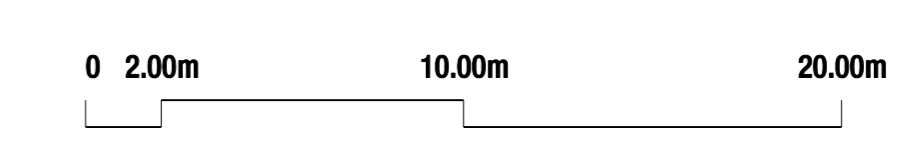
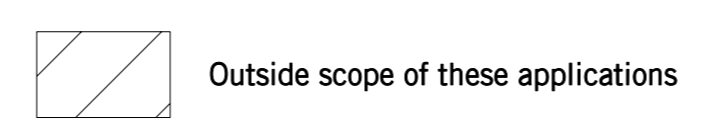
Bomb Gap Re-Instated



Do not scale from this drawing.
All dimensions are to be checked on site and any discrepancies noted in writing to JMP.
All dimensions are in millimetres unless noted otherwise.
If in doubt ask the Contract Administrator.

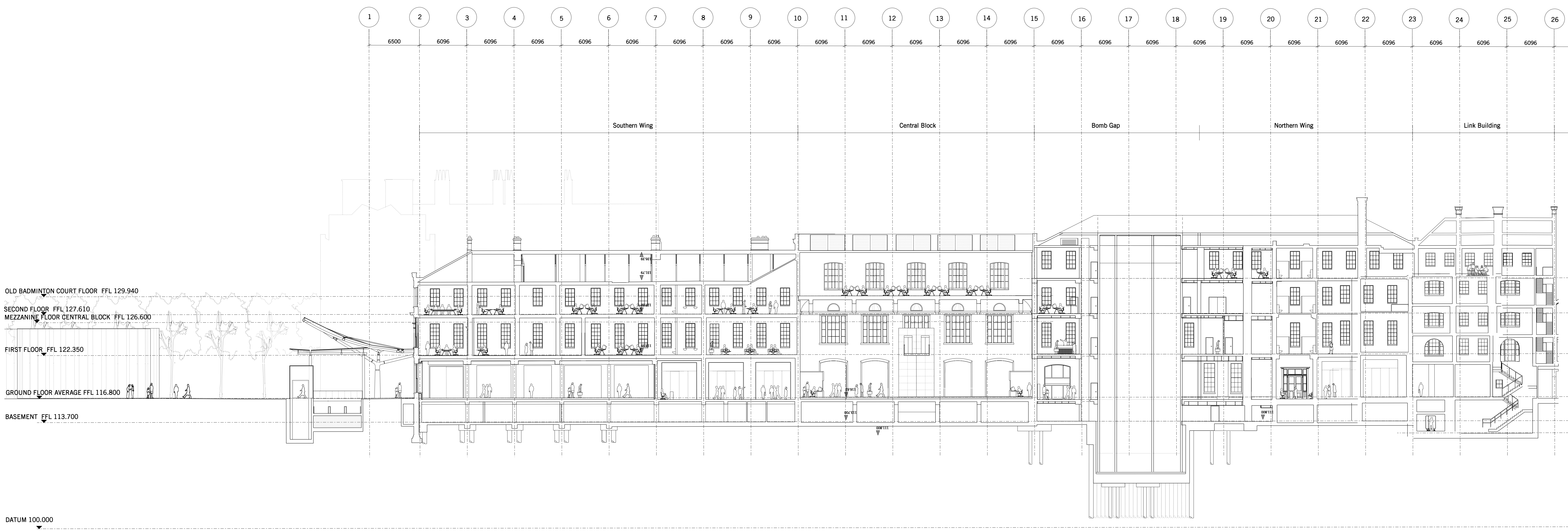
Rev.	Date	Description	Drawn	Checked
00	19.12.2005	Stage D proposal	JMP	AB
01	13.03.2006	Stage D proposal, indication of CIS boards, canopies, annotation amended	JMP	HA
02	14.07.2006	Issued for Planning / Listed Building Application	JMP	HA

Rev.	Date	Description	Drawn	Checked

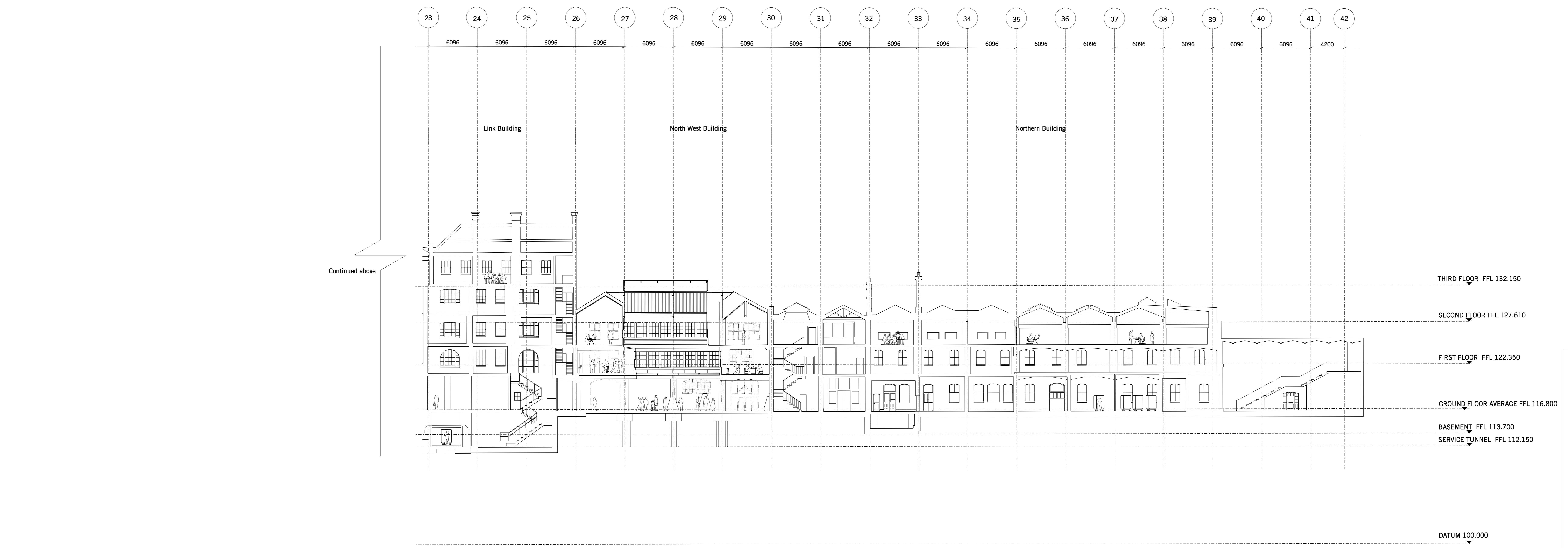


King's Cross Station Enhancement PA
Section K-K
 scale 1:200 at A0 job no. 1153
 date 19.12.2005 drawing by JMP
 drawing status Planning/ Listed Building Application checked by HA
 drawing no. AL-060 revision 02

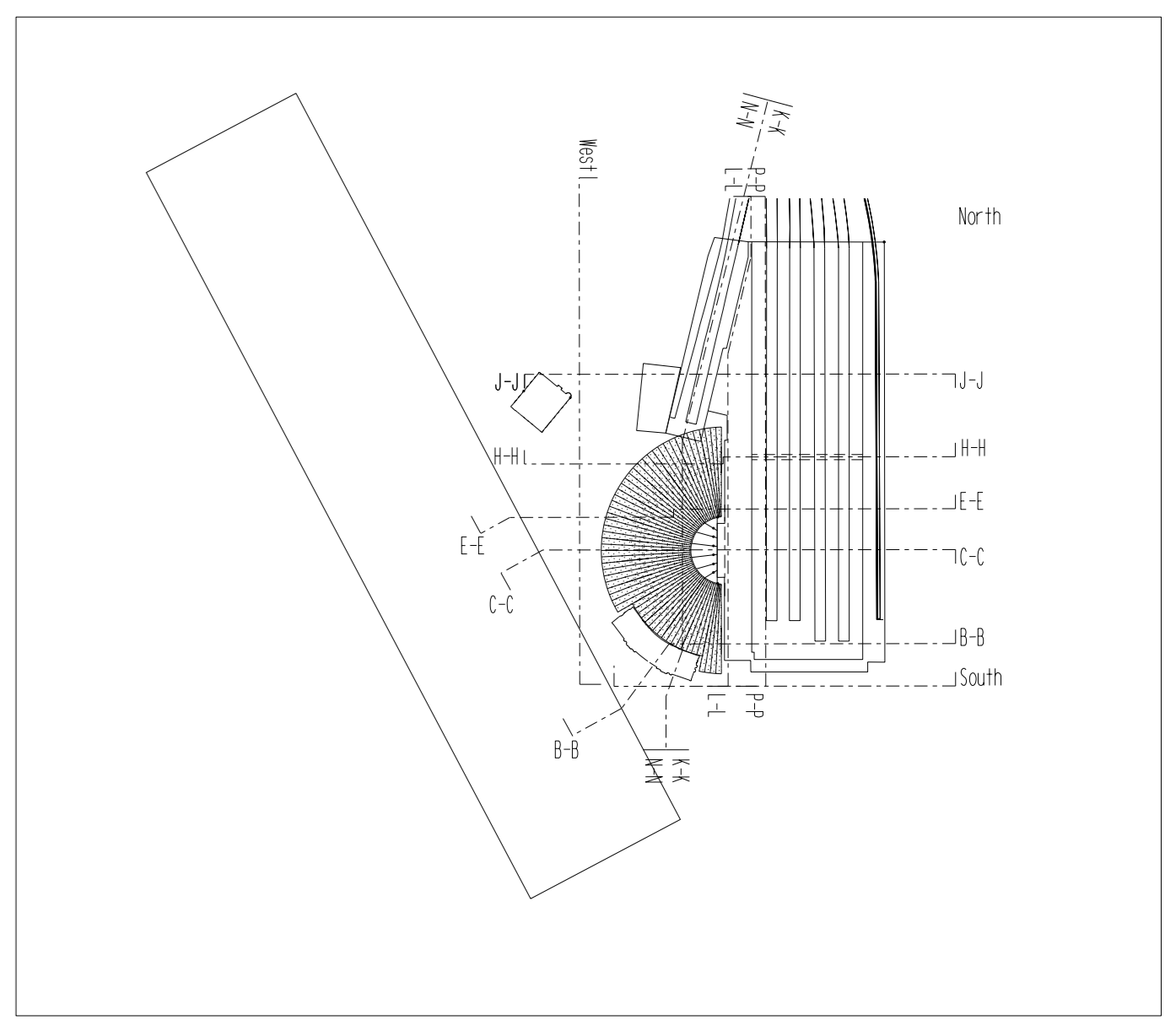
John McAslan + Partners
 40 Princes Street
 London W1A 4GA
 Telephone: 020 7721 2883
 Facsimile: 020 7221 8895
 mail@mcaslan.co.uk
 www.mcaslan.co.uk



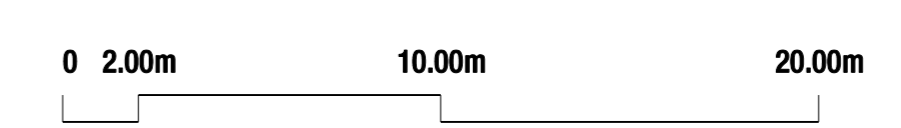
Continued below



Continued above



Do not scale from this drawing. All dimensions are to be checked on site and any discrepancies noted in writing to JMP. All dimensions are in millimetres unless noted otherwise. If in doubt ask the Contract Administrator.	Revisions	Drawn	Checked
	Rev. Date	JMP	AB
	00 19.12.2005 01 14.07.2006	JMP	HA
Description	Stage D proposal Issued for Planning / Listed Building Application		



King's Cross Station Enhancement PA
Section L-L

scale	1:200	at A0	JOB NO.	1163
date	19.12.2005	drawn by	JMP	
drawing status	Planning Listed Building Application	checked by	HA	
drawing no.	AL-061	revision	01	

John McAslan + Partners
40 Princes Street
London W11 4GA
Telephone: 020 7721 2883
Facsimile: 020 7221 8895
mailto:info@mcaslan.co.uk
www.mcaslan.co.uk

St Pancras in Background

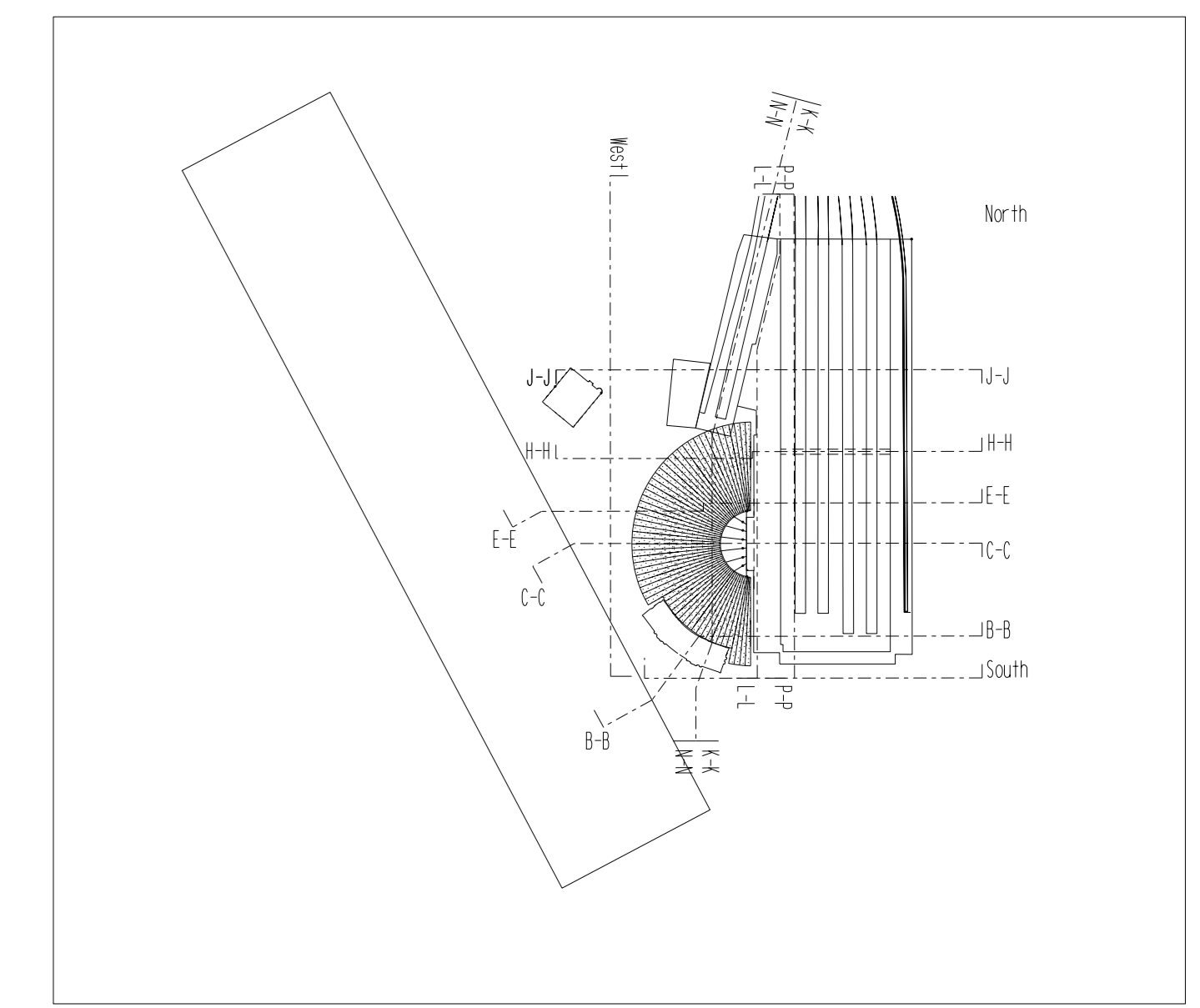
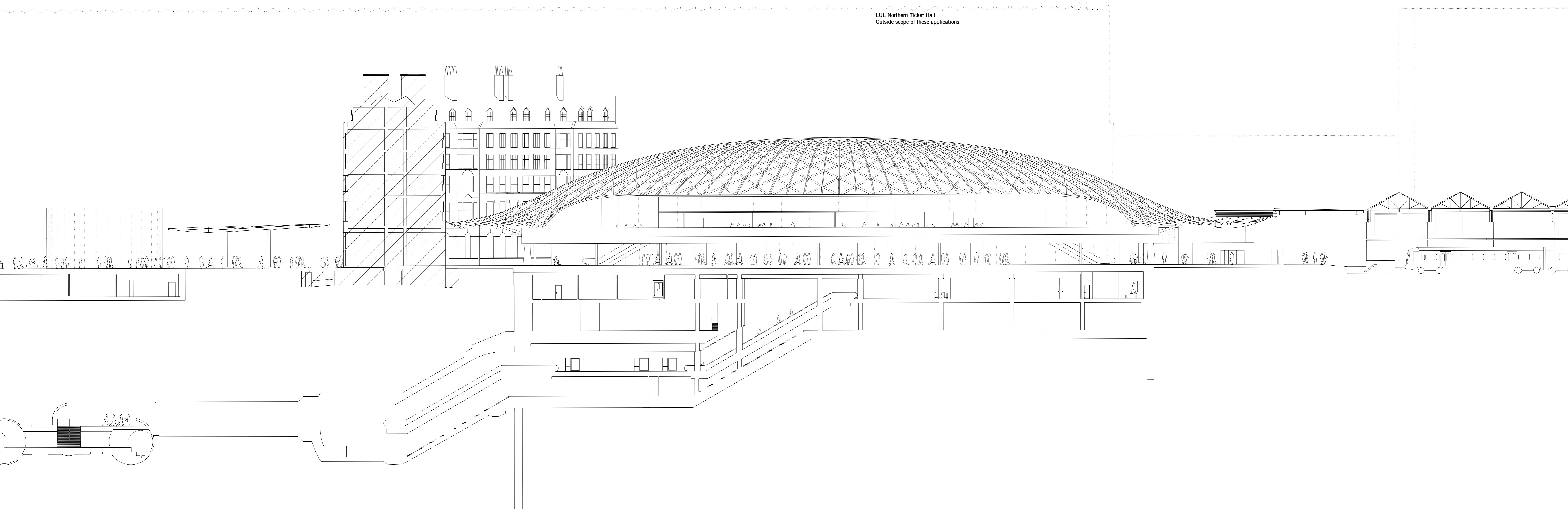
Great Northern Hotel
Outside scope of these applications

NR Western Concourse

Western Train Shed

Kings Cross Central Development
in Background

LUL Northern Ticket Hall
Outside scope of these applications



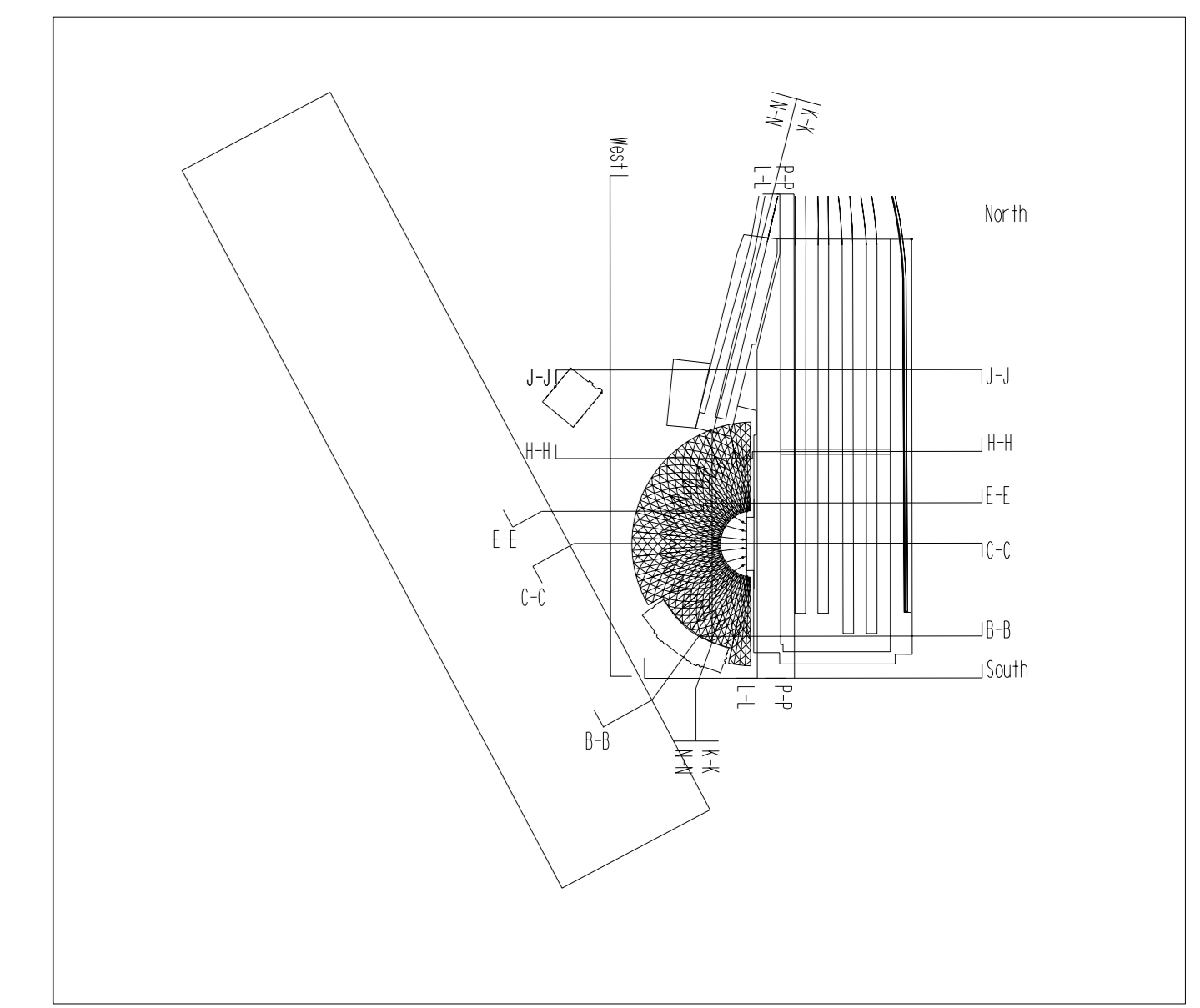
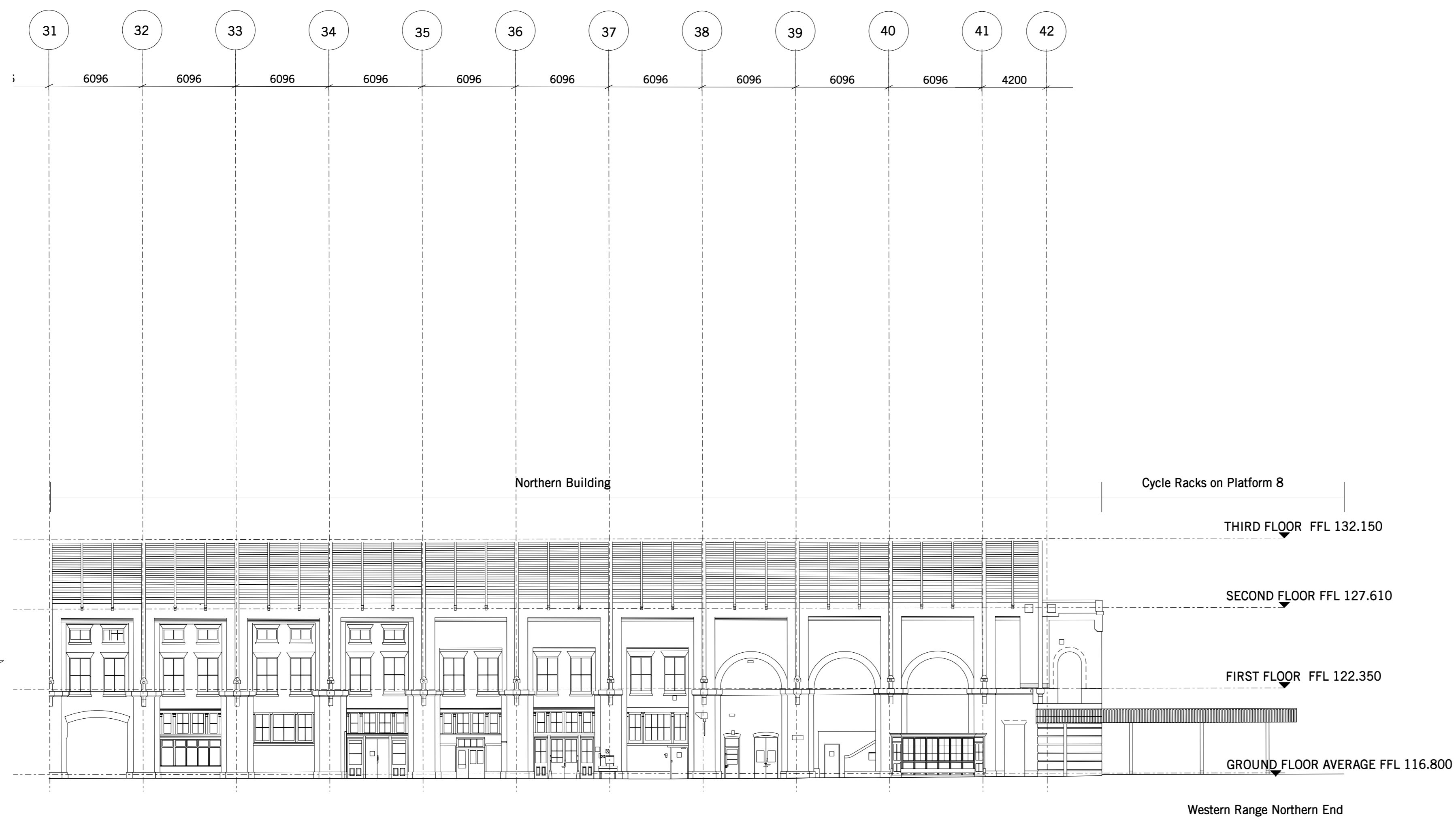
Do not scale from this drawing.
All dimensions are to be checked on site and any discrepancies noted in writing to JMP.
All dimensions are in millimetres unless noted otherwise.
If in doubt ask the Contract Administrator.

Rev.	Date	Description	Drawn	Checked
00	19.12.2005	Stage D proposal	JMP	AB
01	13.03.2006	Stage D proposal, canopies, annotation amended	JMP	HA
02	14.07.2006	Issued for Planning / Listed Building Application	JMP	HA

0 2.00m 10.00m 20.00m

King's Cross Station Enhancement PA
Section N-N
scale 1:200 at A0 job no. 1153
date 19.12.2005 drawing by JMP
drawing status Planning/ Listed Building Application checked by HA
drawing no. AL-063 revision 02

John McAslan + Partners
40 Prince Street
London W1P 4GA
Telephone: 020 7737 2883
Facsimile: 020 7251 8893
mailto:info@mcaslan.co.uk
www.mcaslan.co.uk



Rev.	Date	Description	Drawn	Checked	Rev.	Date	Description	Drawn	Checked
00	19.12.2005	Stage D proposal	JMP	AB					
01	13.03.2006	Stage D proposal, annotation amended	JMP	HA					
02	14.07.2006	Issued for Planning / Listed Building Application	JMP	HA					

King's Cross Station Enhancement PA
Section P-P
 scale: 1:200 at A0 job no: 1153
 date: 19.12.2005 drawing by: JMP
 drawing status: Planning Listed Building Application checked by: HA
 drawing no: AL-065 revision: 02

John McAslan + Partners
 40 Princes Street
 London W11 4GA
 Telephone: 020 7721 2883
 Facsimile: 020 7721 8895
 mail@mcaslan.co.uk
 www.mcaslan.co.uk