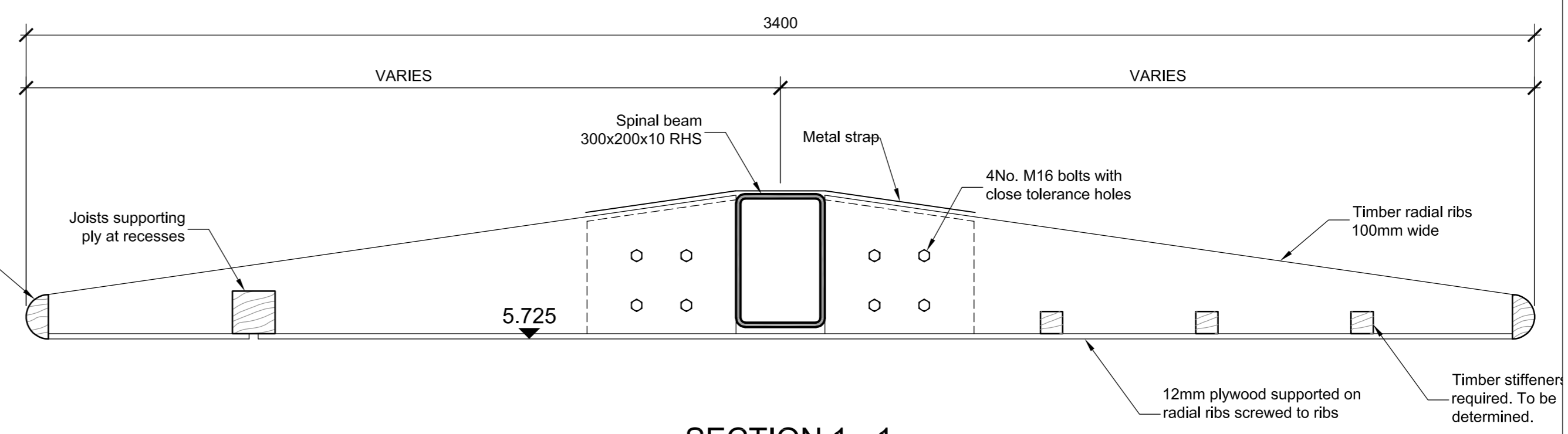
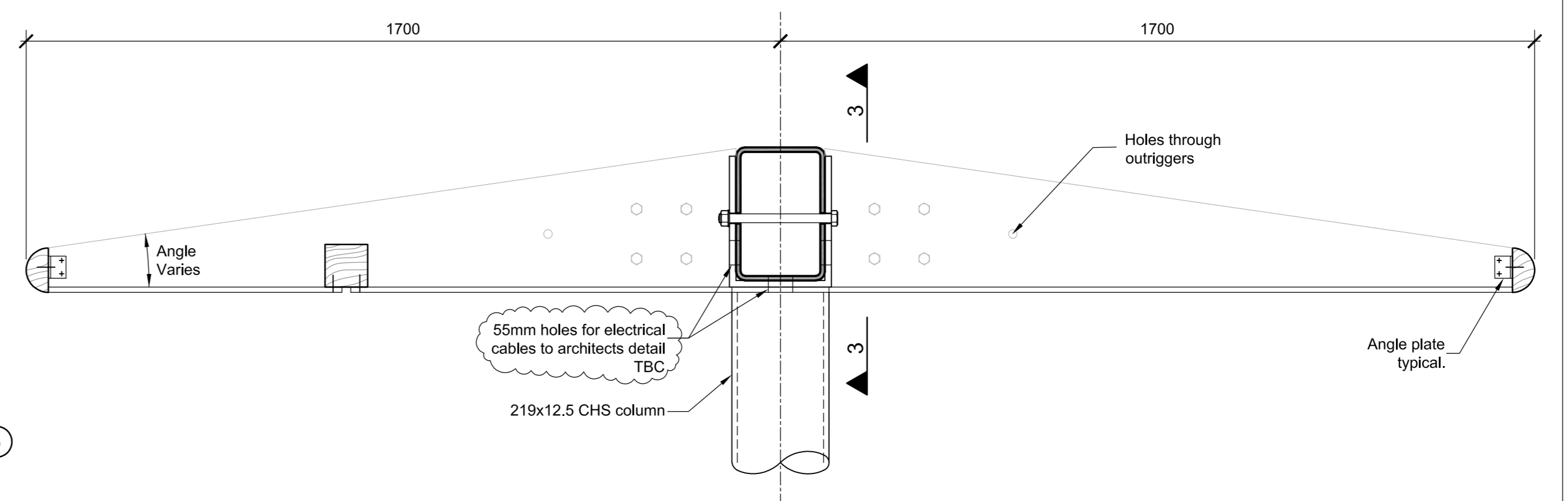


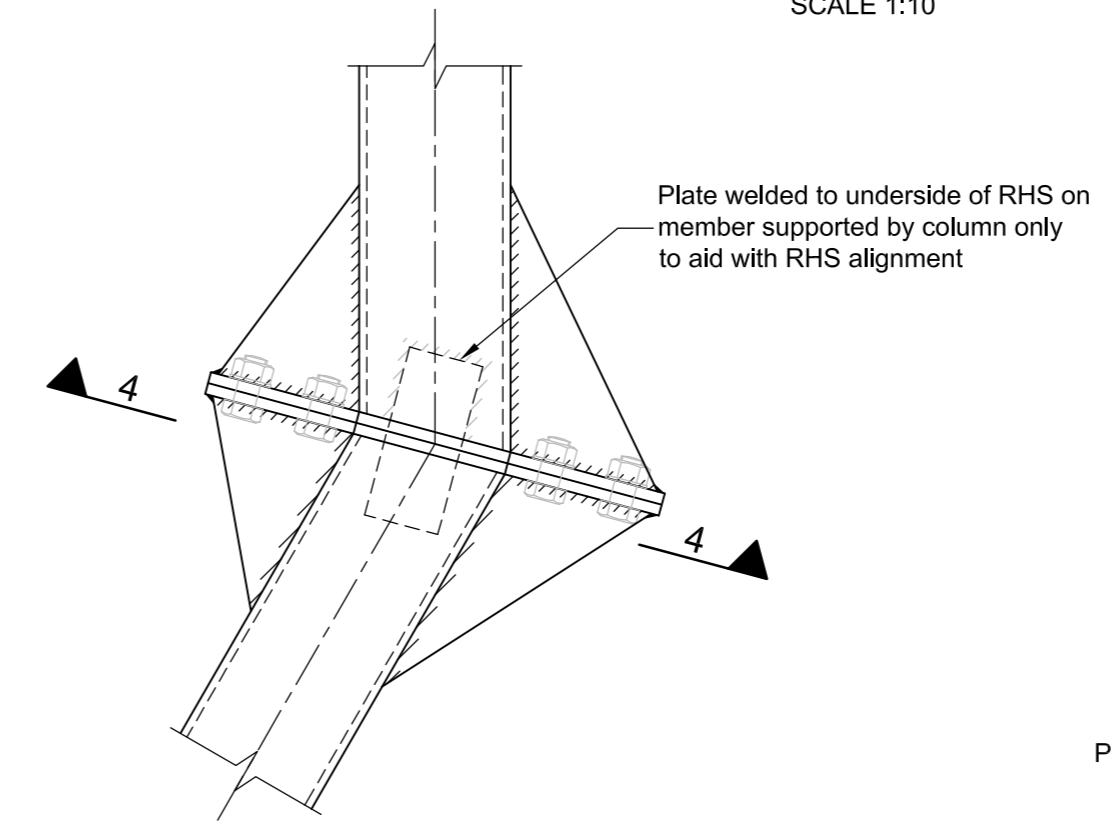
PLAN OF RING



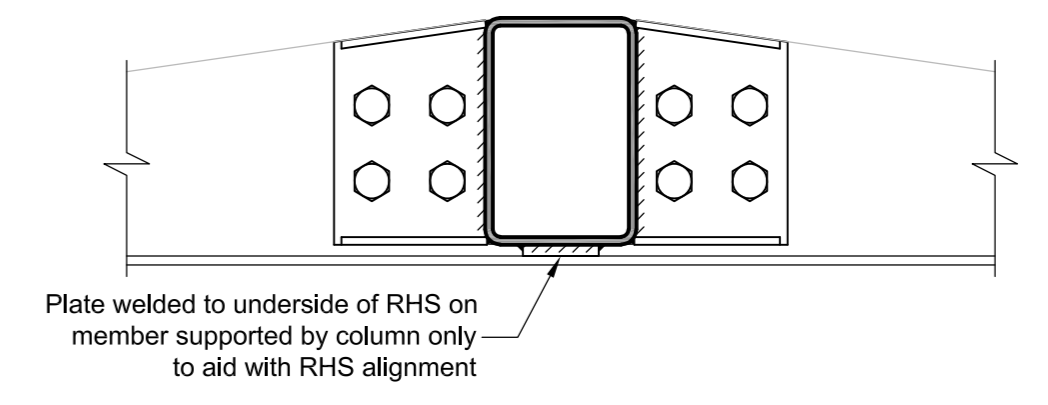
**SECTION 1 - 1
TYPICAL TIMBER RIB DETAIL
SCALE 1:10**



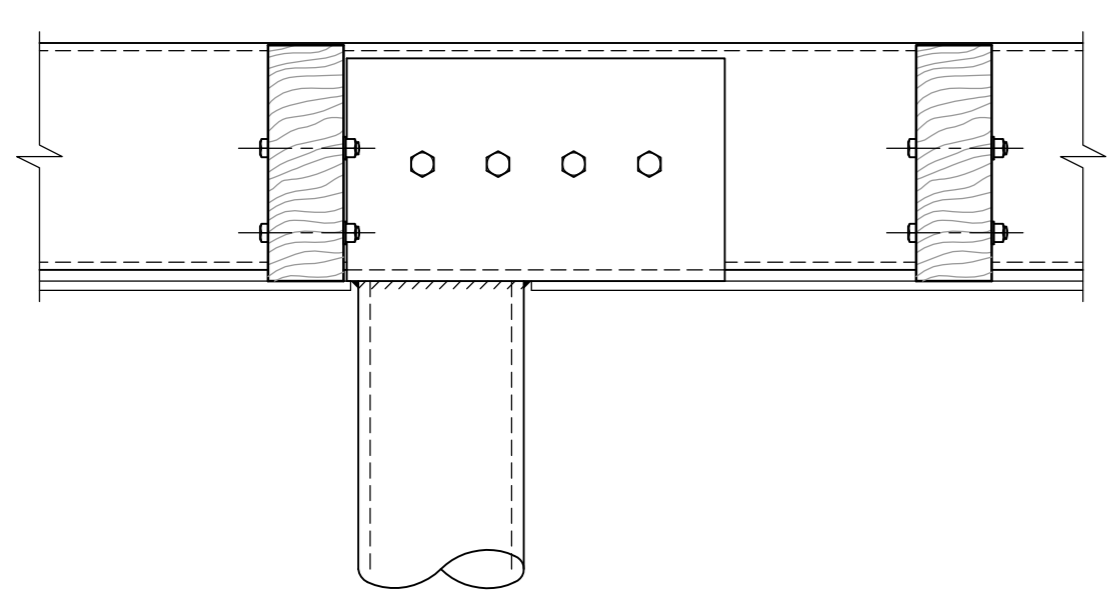
**SECTION 2 - 2
TYPICAL COLUMN DETAIL
SCALE 1:10**



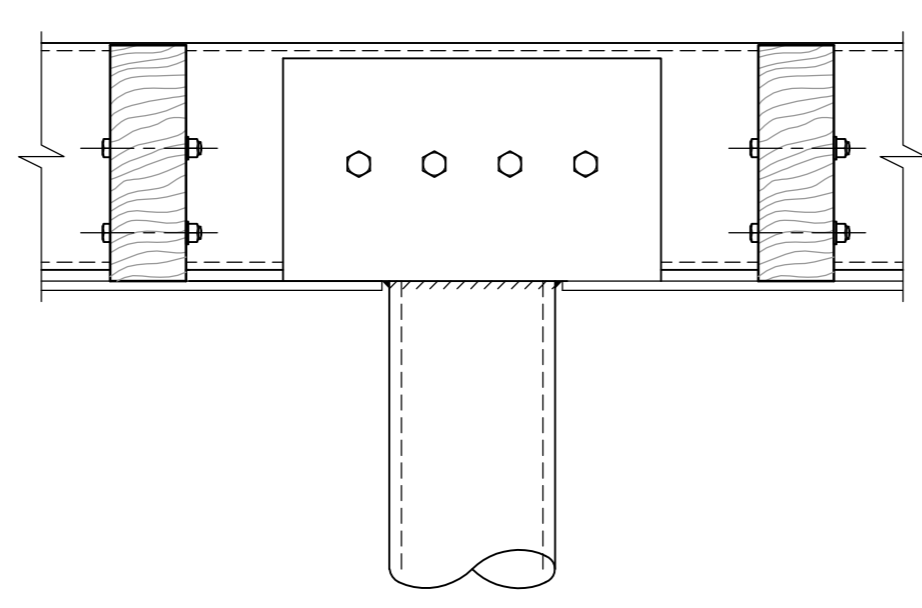
**DETAIL A
RHS CONNECTION DETAIL
SCALE 1:10**



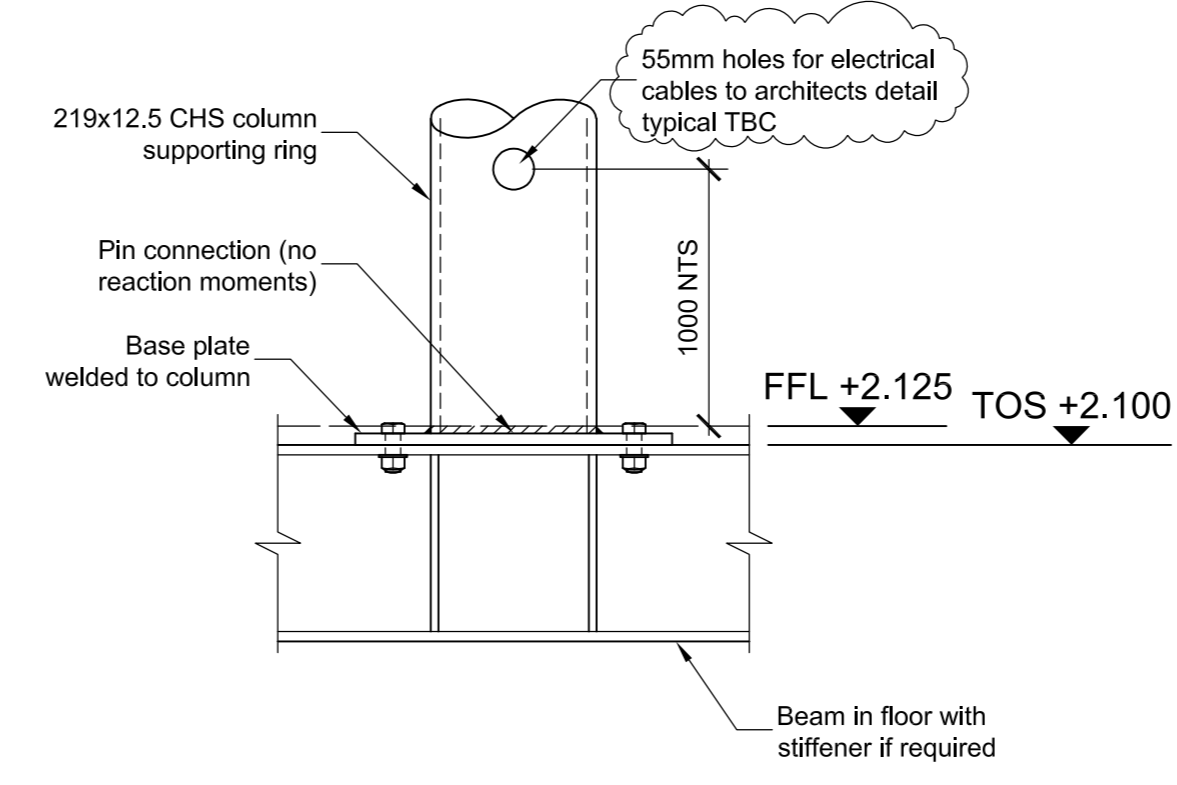
**SECTION 4 - 4
SCALE 1:10**



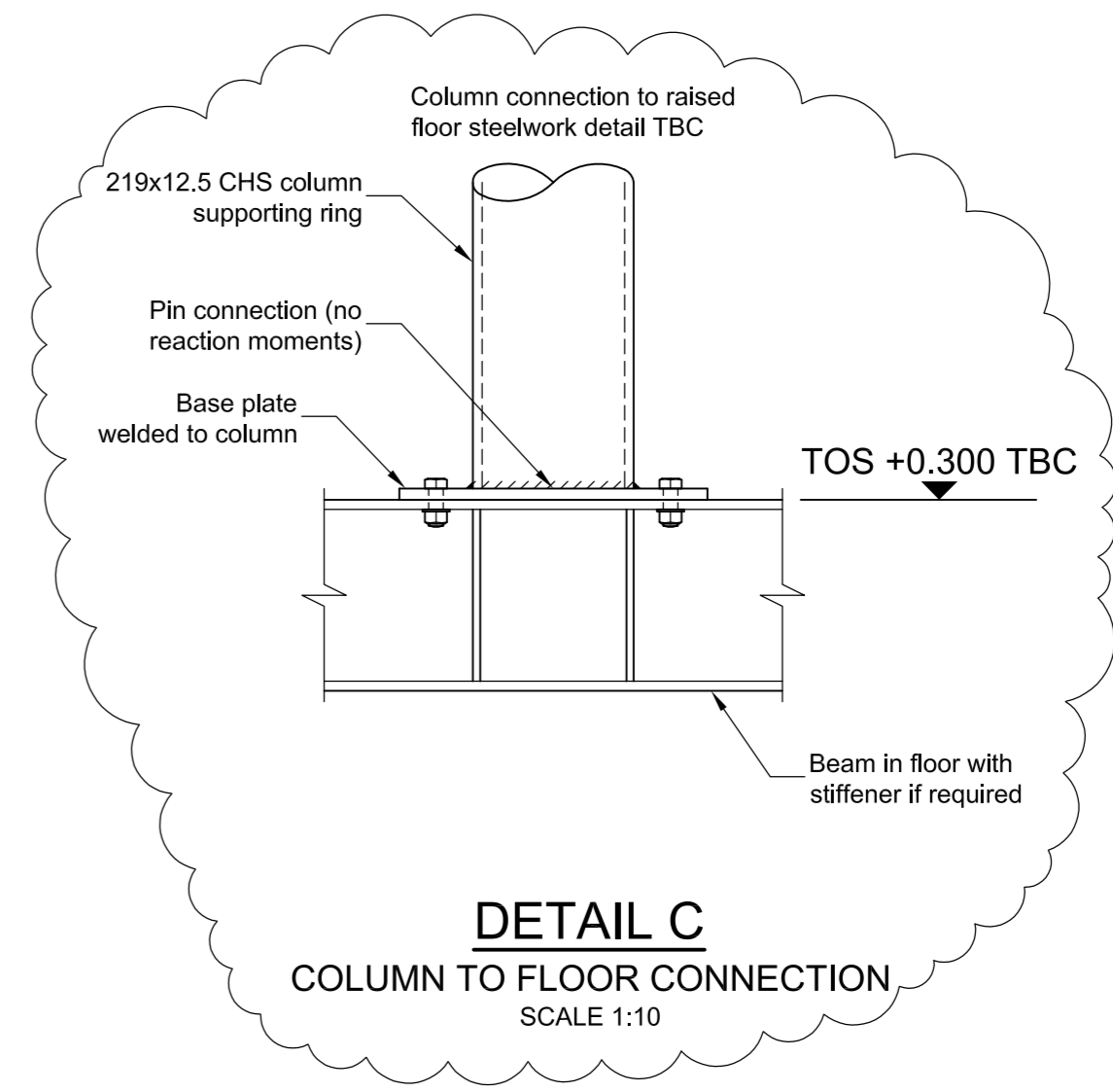
**SECTION 3a - 3a
TYPICAL COLUMN DETAIL
SCALE 1:10**



**SECTION 3b - 3b
CENTRALLY-LOCATED
COLUMN DETAIL
SCALE 1:10**



**DETAIL B
COLUMN TO FLOOR CONNECTION
SCALE 1:10**



**DETAIL C
COLUMN TO FLOOR CONNECTION
SCALE 1:10**

- Notes**
1. Steelwork S275
 2. Timber as in specification

T2	30/03/07	GT	JT	DL
REVISED AS CLOUDED				
T1	26/03/07	GT	JT	DL
TENDER ISSUE				
Issue	Date	By	Chkd	Appd

ARUP

Arup Security Consulting
13 Fitzroy Street
London W1T 4BQ
Tel +44 (0)20 7636 1531 Fax +44 (0)20 7580 3924
www.arup.com/securityconsulting

Client
The British Museum

Job Title
Jade Ring

Drawing Title
Plan and Details Ring

Scale at A1
1:100 1:10

Plot ID
63180FF8-3457-4616-A16A-B9DE50F33C11

Drawing Status
Tender

Job No 75744-61	Drawing No S001	Issue T1
---------------------------	---------------------------	--------------------