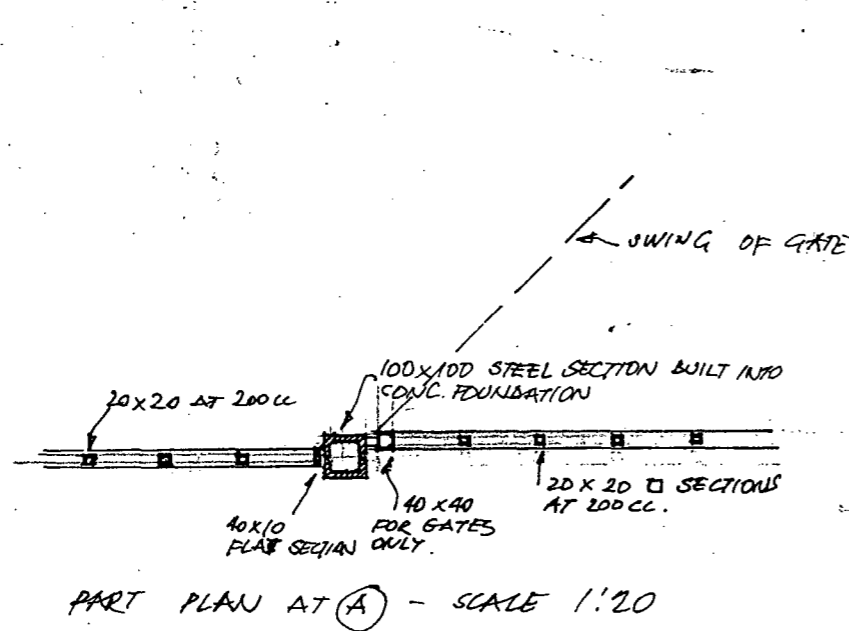
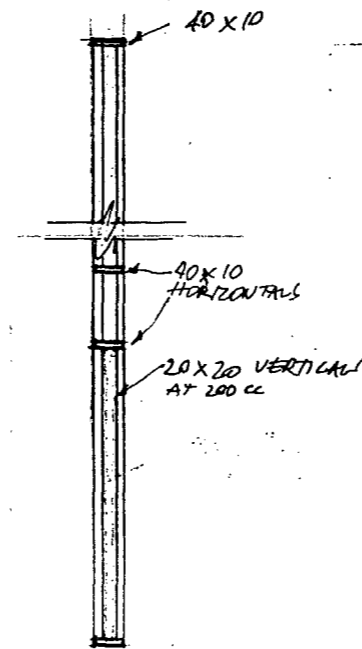


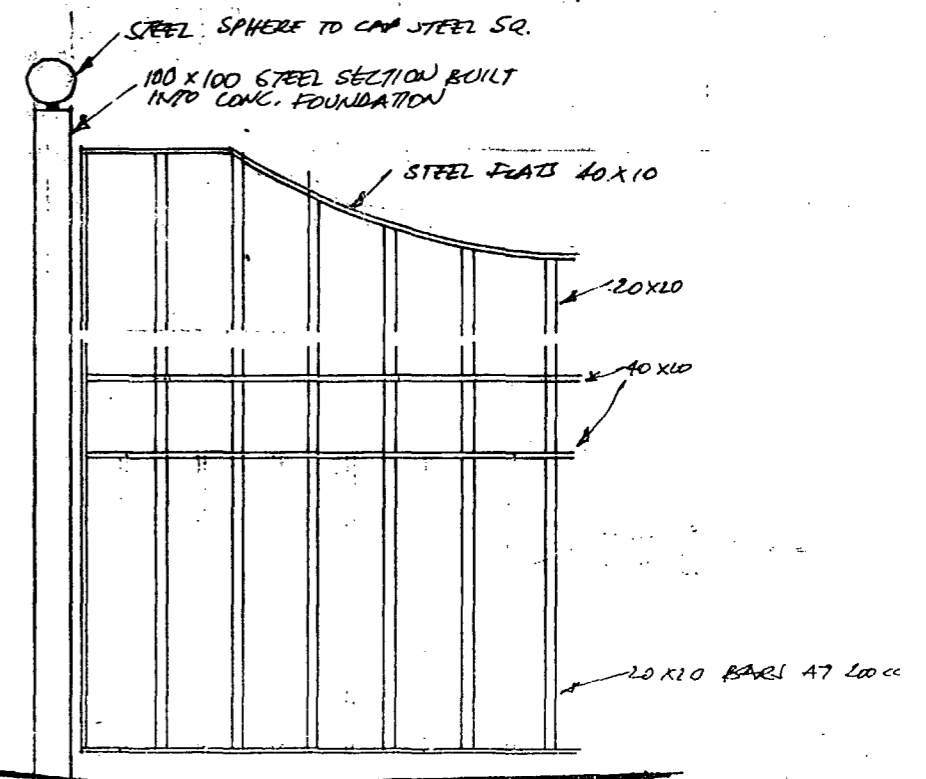
ELEVATION - 1:50 (SCALE) WROUGHT IRON RAILINGS: GLOSS BLACK PAINT ON RED OXIDE ON STEEL



PART PLAN AT (A) - SCALE 1:20



BROKEN SECTION AT BB
SCALE: 1:20



LONDON BOROUGH OF CAMDEN
TOWN AND COUNTRY PLANNING ACTS
- 8 OCT 1998
PLANS APPROVED
ON BEHALF OF THE COUNCIL

Case Copy

"SIR RICHARD STEELE" PUBLIC HOUSE
PROPOSED RAILINGS TO CAR PARK
DATE: 15/8/98 SCALE: 1:20 & 1:50

DWG. NO. 5 A

REVISIONS: A) REMOVED "DOGGY BARS" AS PER REQUEST OF CAMDEN COUNCIL.