

THE DIMENSIONS ON THIS DRAWING ARE FOR SALES PURPOSES ONLY AND MUST NOT BE USED FOR BASE CONSTRUCTION

job

PROPOSED CONSERVATORY FOR MR GRAFF



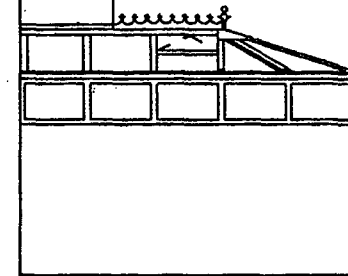
*Caroline*  
 LONDON BOROUGH OF CAMDEN  
 TOWN AND COUNTRY PLANNING ACTS  
 03 SEP 1993  
 PLANS APPROVED  
 ON BEHALF OF THE COUNCIL

GENERAL SPECIFICATION

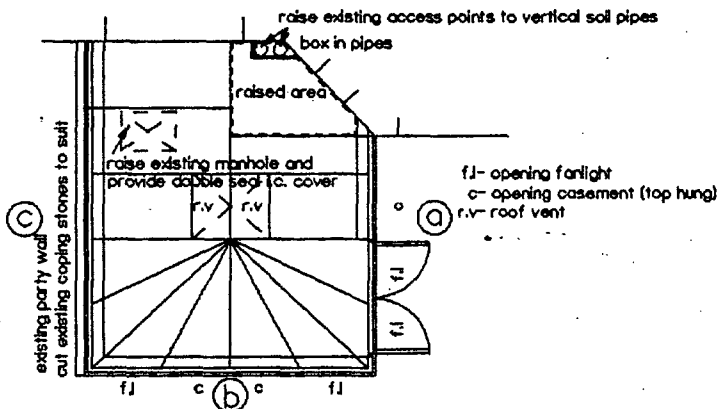
9 3 0 0 3 6 9 R 1



Proposed Front Elevation  
 scale 1:100



Proposed Side Elevation  
 scale 1:100



Proposed Floor Plan  
 scale 1:100

LONDON BOROUGH OF ENVIRONMENT  
 PLANNING, TRANSPORT & TRAFFIC  
 25 AUG 1993  
 RECEIVED

DRAWING PREPARED BY:

CUSTOMER SIGNATURE:  
 APPROVING DESIGN

LONDON WORK - UNLESS STATED TO THE CONTRARY  
 - ALL BUILDING WORK TO BE CARRIED OUT BY OTHERS.

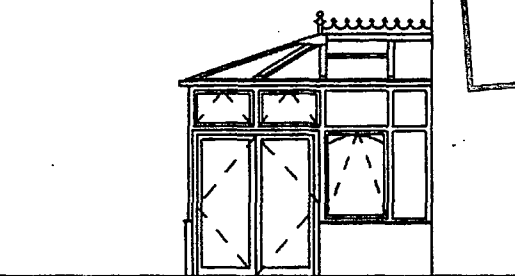
Scale: Date:

FINCH CONSERVATORIES LTD

2-4 Parham Drive  
 Boyatt Wood, Eastleigh  
 Hampshire, SO5 4NU

This drawing is confidential and is the property of FINCH CONSERVATORIES LIMITED and is neither to be reproduced, copied or otherwise used in any form whatsoever nor is the information thereon and associated knowhow to be disclosed to third parties without written permission of the Company except for the exclusive benefit of Finch Conservatories Limited and the acceptance of this drawing will be construed as agreement to the foregoing conditions.

COPYRIGHT FINCH CONSERVATORIES LIMITED



Proposed Side Elevation  
 scale 1:100