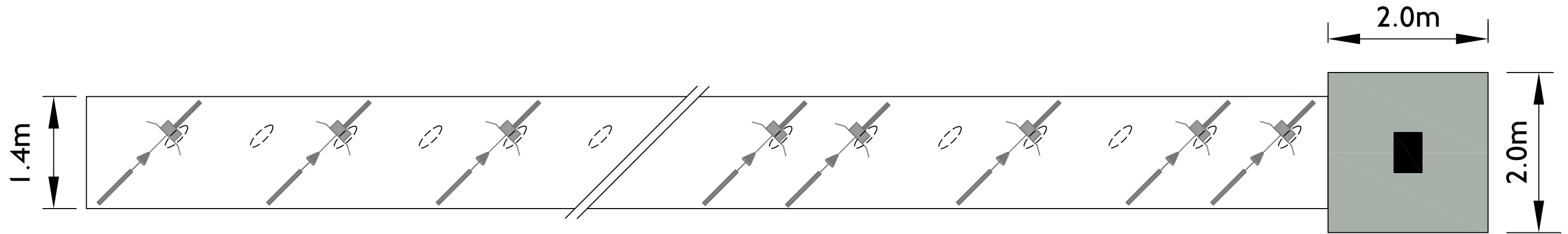
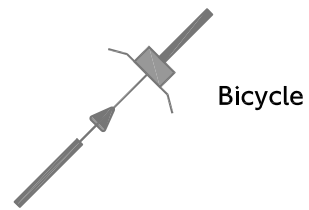


## "45° angle" Docking Station

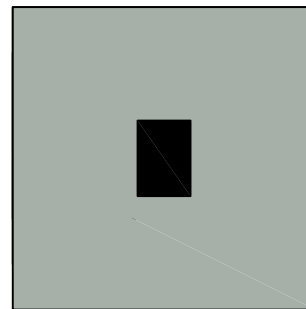


### SYMBOL KEY

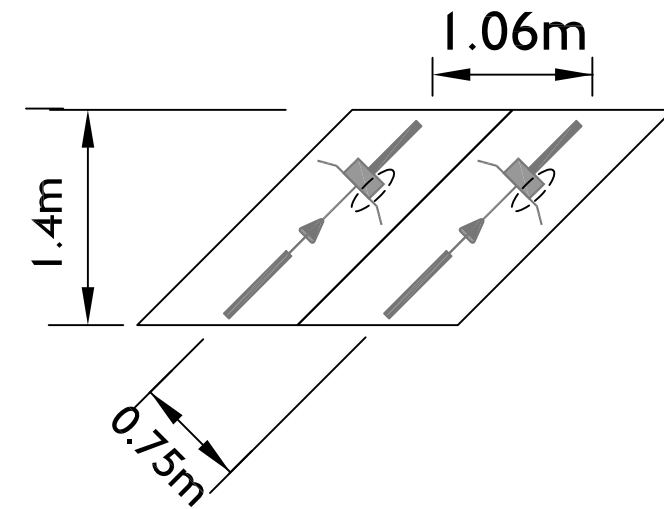
 Docking Point



Bicycle



Terminal & circulation area: 4.0m<sup>2</sup>  
 Maximum terminal height: 2.4m  
 Maximum terminal footprint:  
 area 0.175m<sup>2</sup>



Docking Point at  
 a 45° angle



### INDICATIVE DOCKING STATION LAYOUT

LONDON CYCLE HIRE SCHEME

NOTES: All Layouts are indicative only. Docking Stations will be tailored to the site. Refer to General Arrangement drawing and Planning, Design & Access Statement for further information about size and layout.

SITE NAME

Various

Drawn

RLM

Scale

Not to scale, Print at A3

Checked

Date:

24/03/09

SITE NO:

N.A.

BOROUGH

N.A.

POSTCODE

N.A.

Drg. No.

CHS\_4\_DS

File Path & Name

././CAD/Dwg/CHS\_4\_DS

Rev.

3