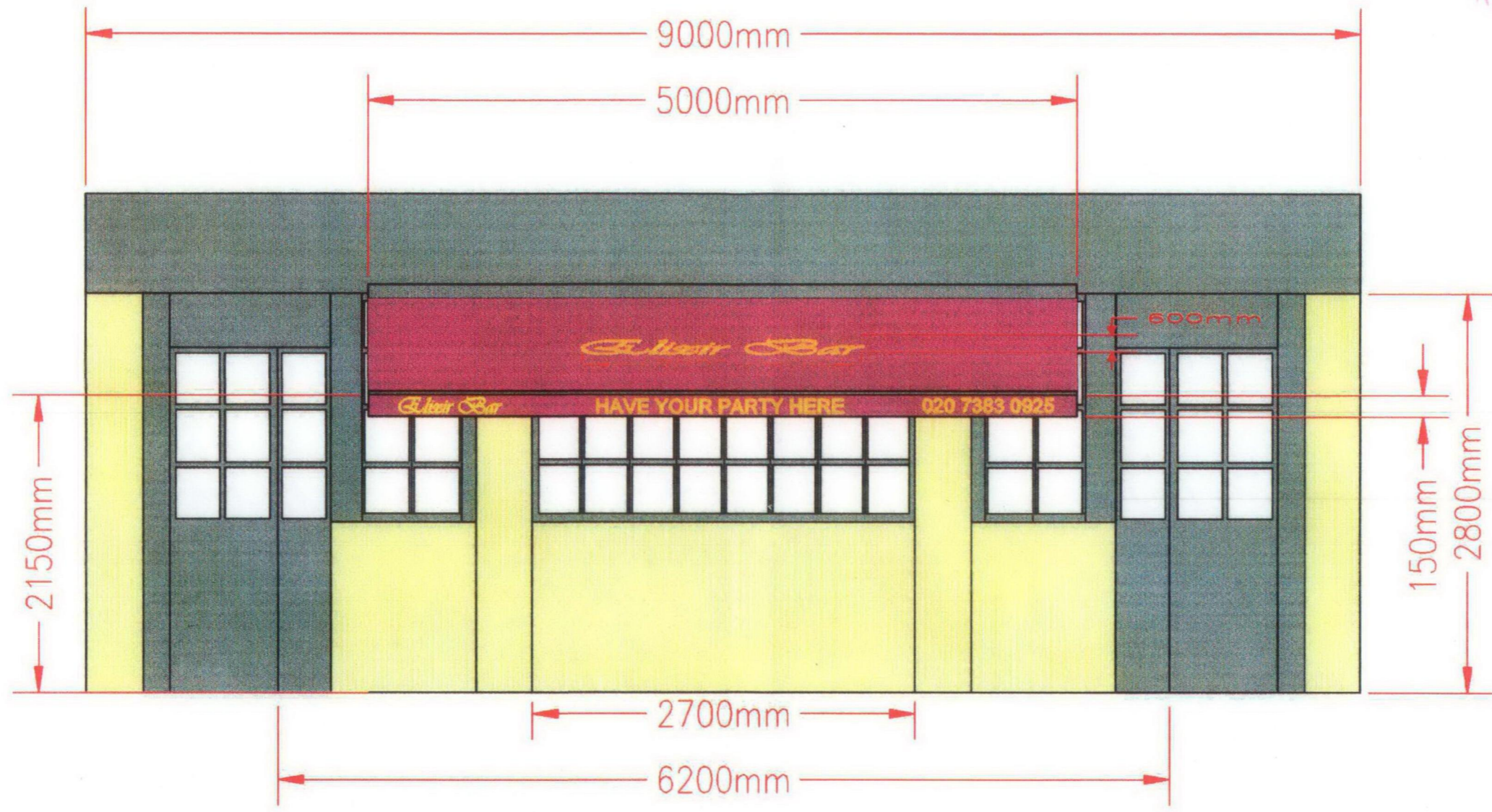
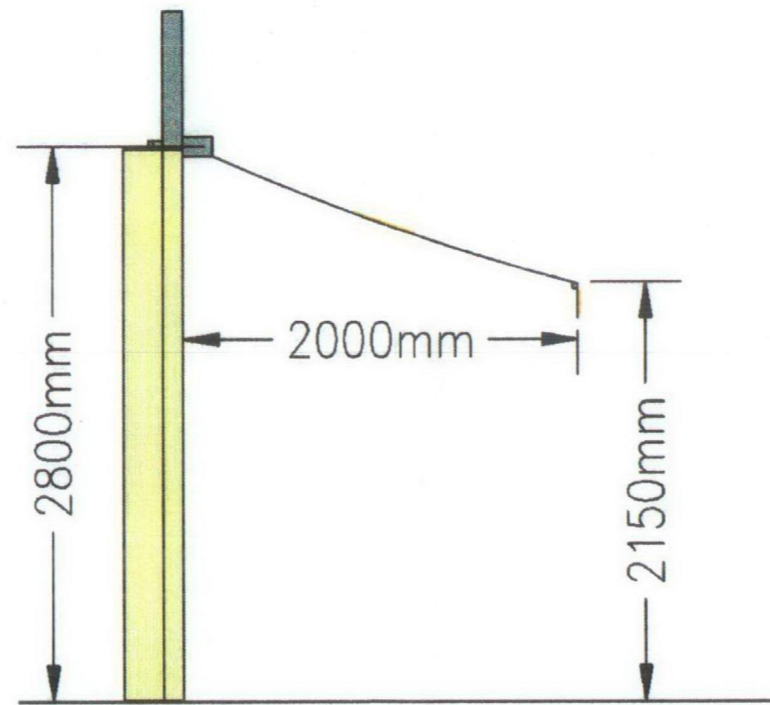


RECEIVED 22 MAY 2009



Title : Elixir Bar	Proposed Front Elevation	Scale @ A4 1 : 50	Drawing # 1.2	Revision : 01 May 09
--------------------	--------------------------	-------------------	---------------	----------------------

RECEIVED 22 MAY 2009



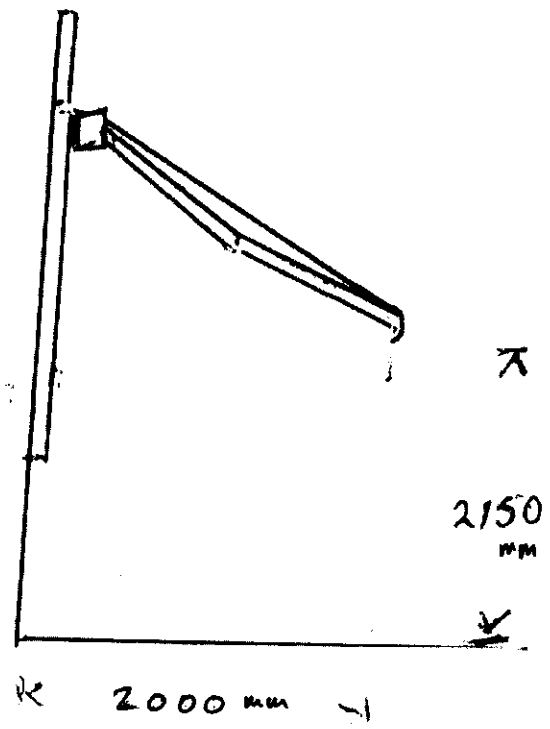
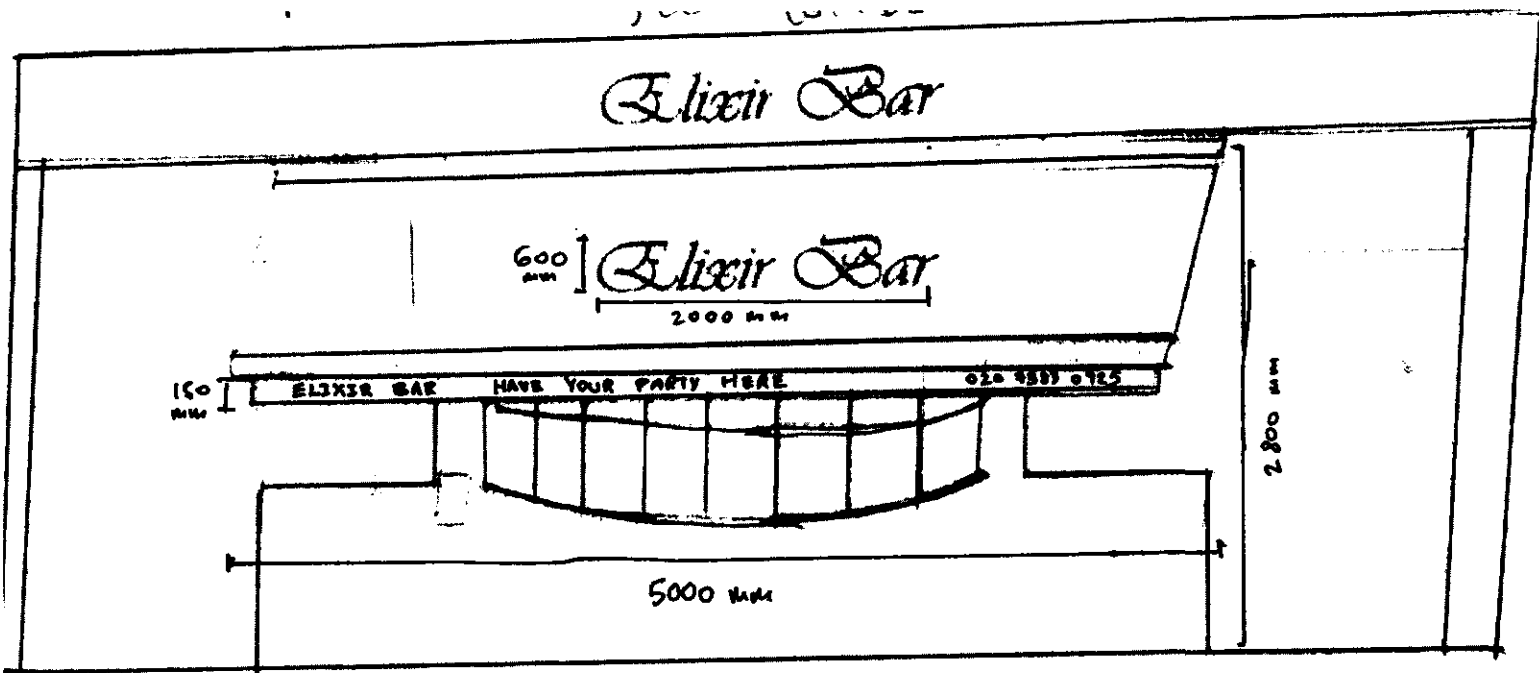
Title : Elixir Bar

Proposed
Side Elevation

Scale @ A4 1 : 50

Drawing # 1.3

Revision : 01 May 09



LETTERING 600 HIGH ON COVER

IF 2.1m VALANT LETTERING 150 HIGH