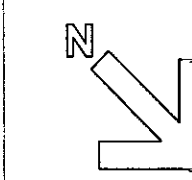
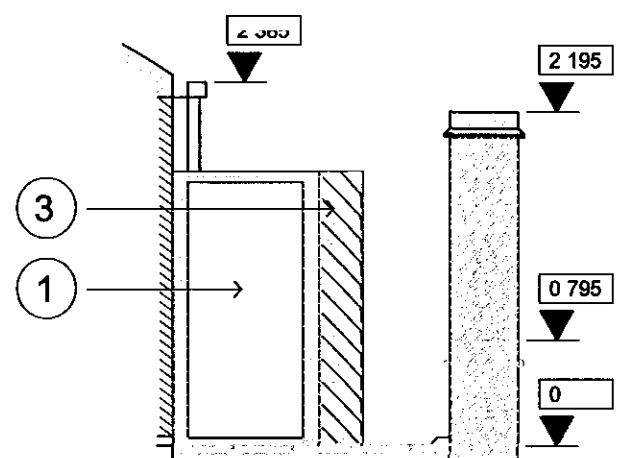


**NOTES**

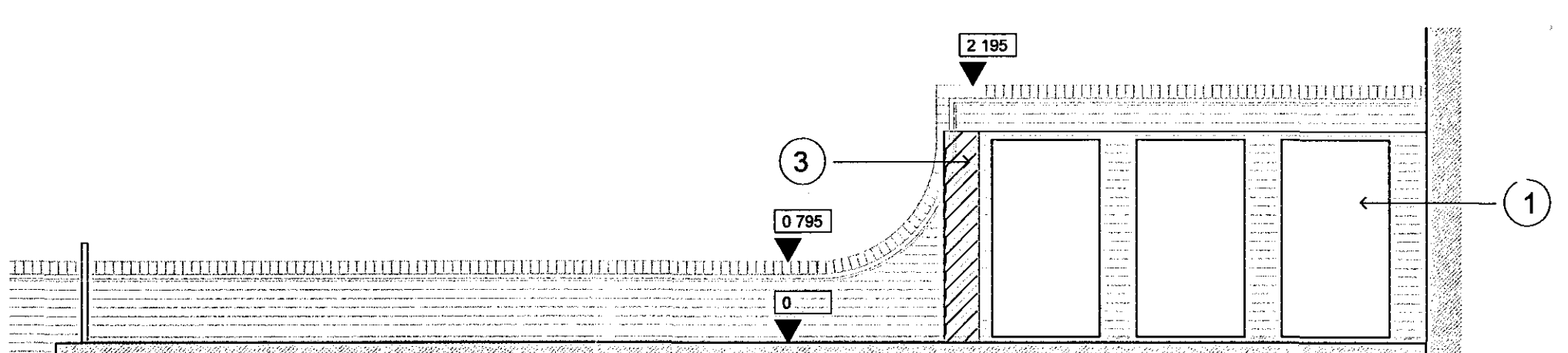
DO NOT SCALE OFF THIS DRAWING.  
ALL DIMENSIONS MUST BE CHECKED ON SITE  
PRIOR TO ANY WORK BEING PUT IN HAND.  
ANY DISCREPANCIES ARE TO BE BROUGHT TO  
THE ATTENTION OF THE PROJECT MANAGER  
IMMEDIATELY UPON DISCOVERY.



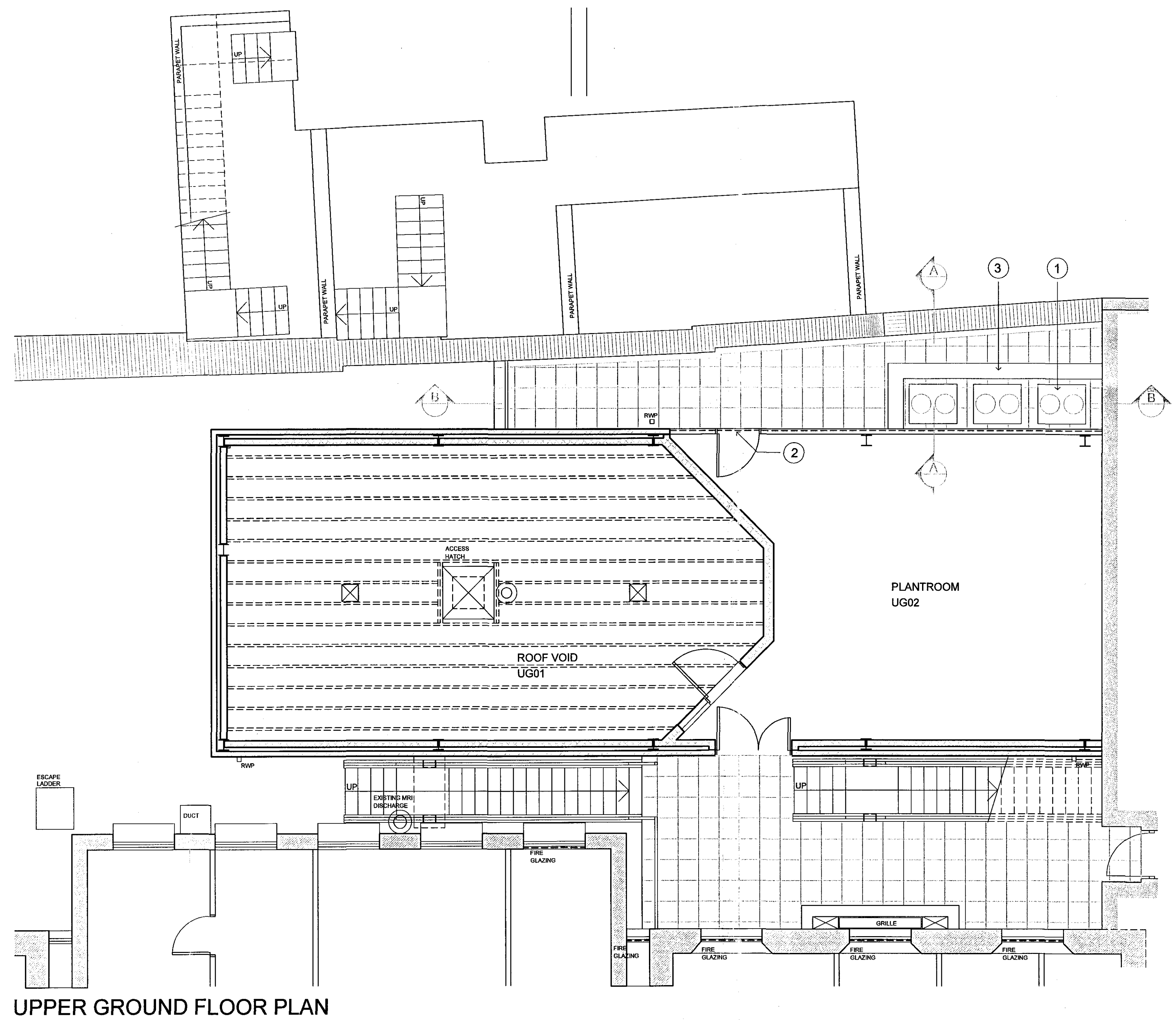
- ① PROPOSED CONDENSING UNITS (3 NO.)  
930(w) x 765(d) x 1680(h)mm  
PAINTED GALVANISED STEEL  
COLOUR: CERAMIC WHITE
- ② PROPOSED LOUVRE DOOR
- ③ PROPOSED ACOUSTIC LOUVRE SCREEN



SECTION A-A



SECTION B-B



UPPER GROUND FLOOR PLAN

PLANNING APPLICATION

Rev.	Date	Description
P1	07.03.09	Issued for Planning

UCL DESIGN SERVICES  
ESTATES & FACILITIES DIVISION

University College London  
1-19, Torrington Place, London WC1E 7HB

Drawn: MA  
Date: April 2009  
Scale: 1:50 @ A1  
PROJECT No. 247-50

8-11 QUEEN SQUARE (NO.247)  
INSTITUTE OF NEUROLOGY  
CONDENSERS ON ROOF

Plan & Sections Showing  
Proposed Location of Units