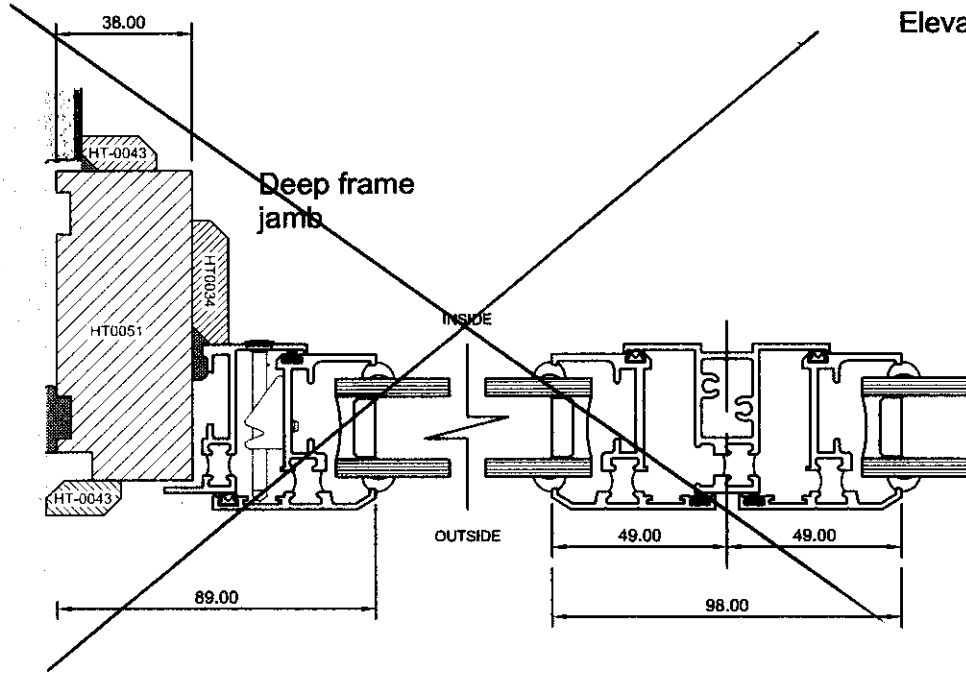


JAMB SECTION DETAIL


Return to
Top Page


Return to
Elevation Page



scale 1:2

