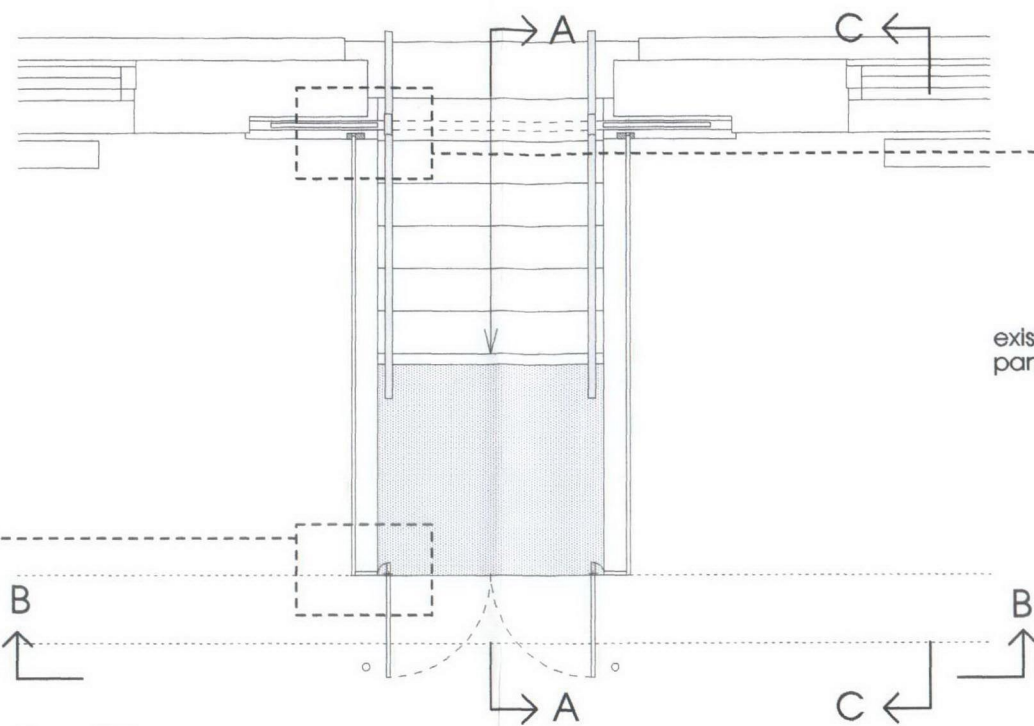
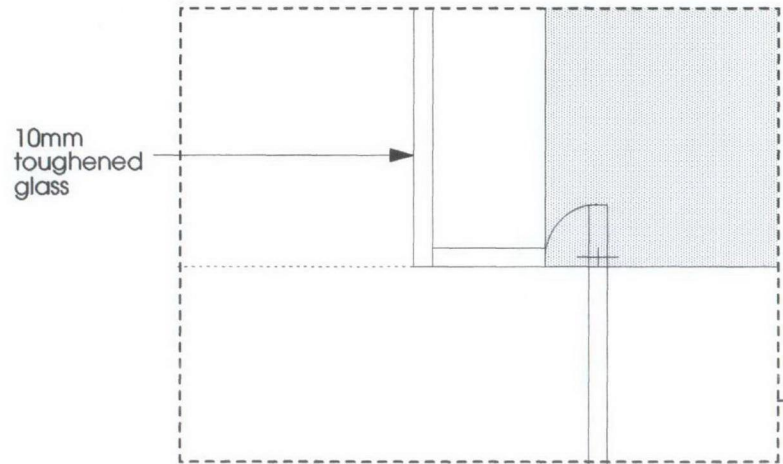


Plan

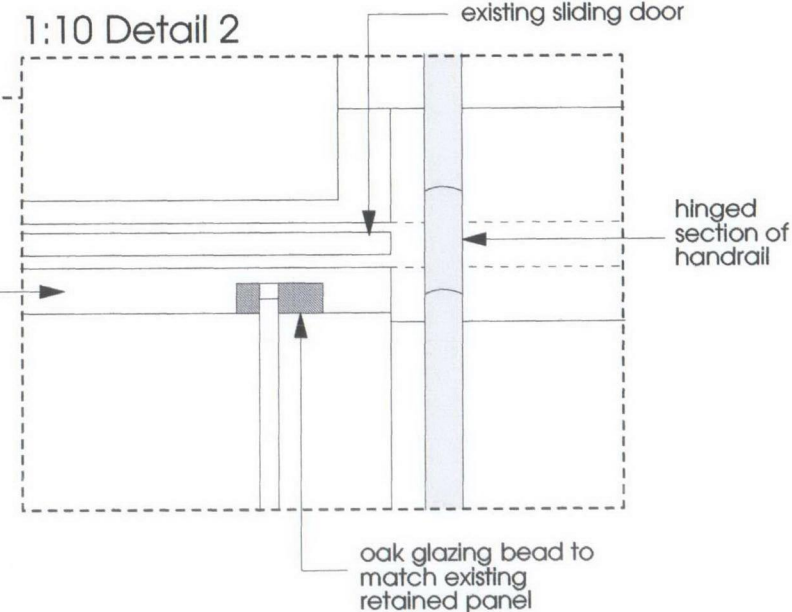


1:10 Detail 1



10mm toughened glass

1:10 Detail 2



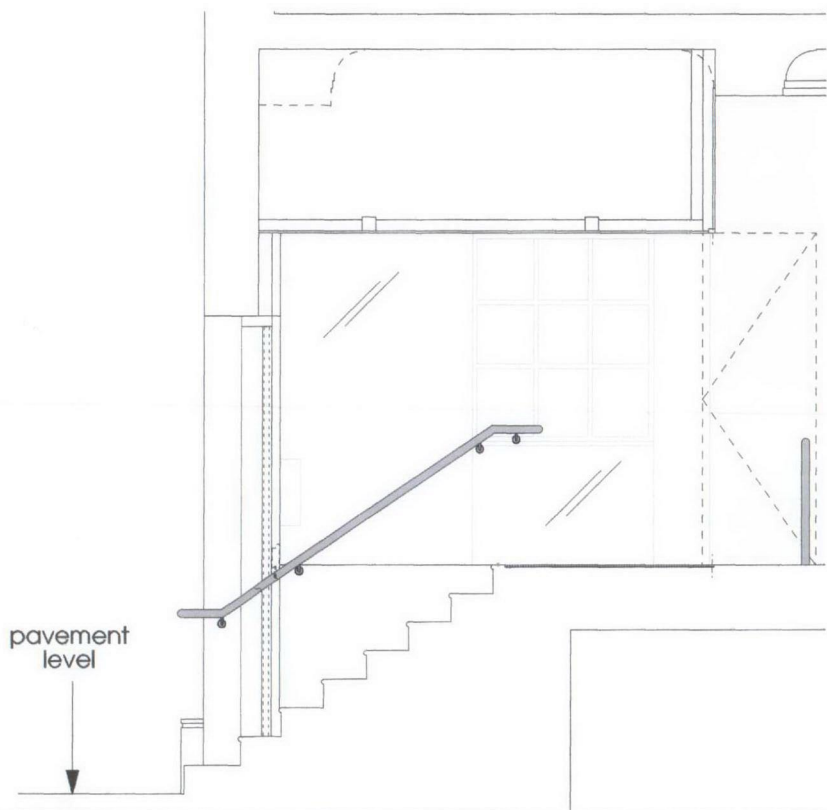
existing sliding door

hinged section of handrail

oak glazing bead to match existing retained panel

existing oak panel

Section AA

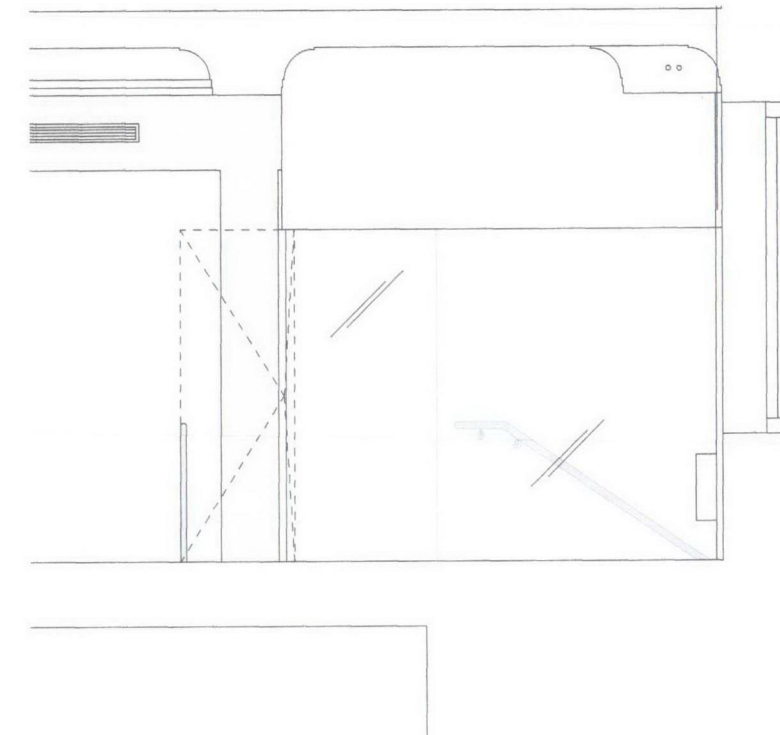


pavement level

Elevation BB



Elevation CC



Notes

Do not scale

All dimensions to be checked on site and verified with the architect prior to construction.

Any discrepancies or uncertainties regarding this drawing to be discussed with the architect prior to construction

refer to general requirements schedule

Status				
Revision	Date	Comments		
TheisandKhan ARCHITECTS <small>22A BATEMAN'S ROW LONDON EC2A 3HH TELEPHONE: 020 7729 9329 FACSIMILE: 020 7729 9341 EMAIL: mail@theisandkhan.com WEBSITE: www.theisandkhan.com</small>				
Job	Quaker Centre			
Title	Proposed Entrance Screen Details			
Scale	Date	Job No.	Drawing No.	Revision
1:20/10 @A3	JUN 09	1038	102	