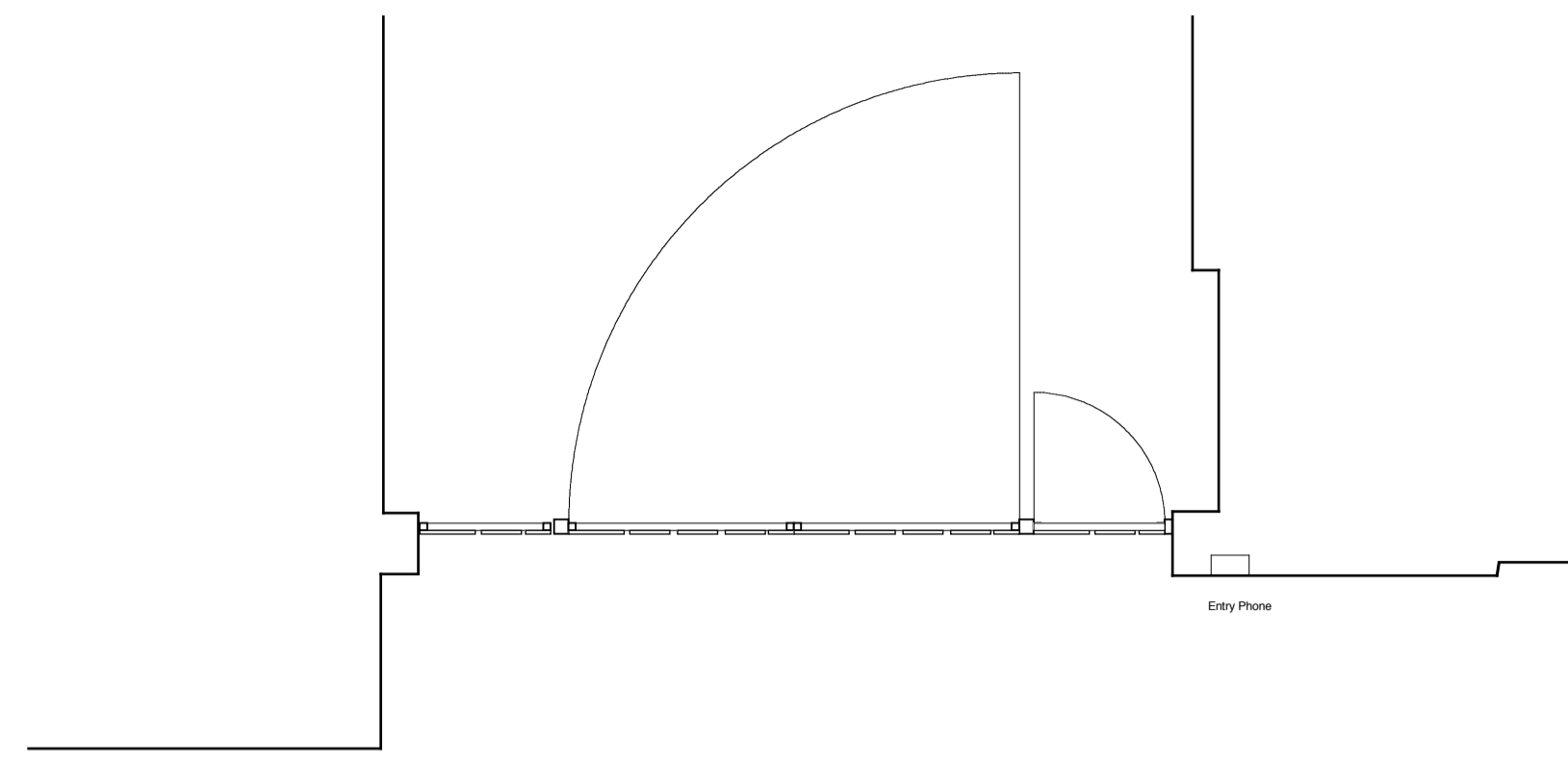
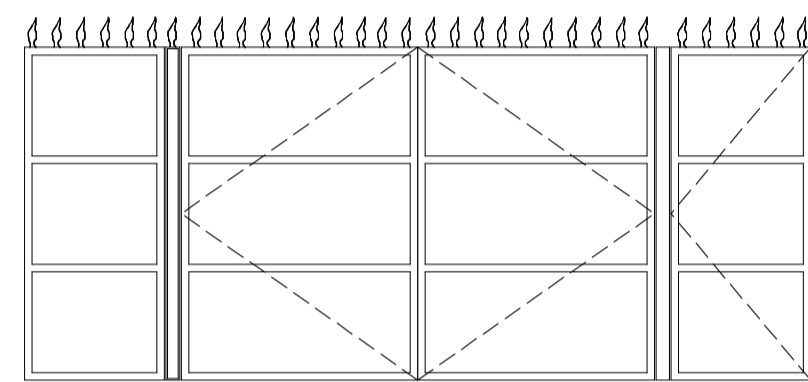


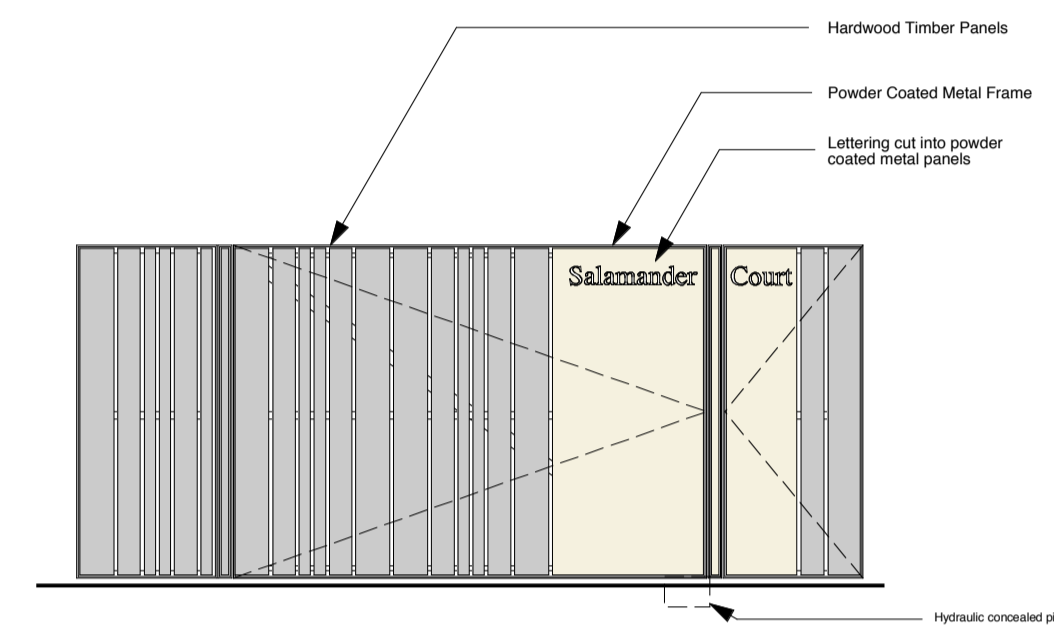
05 Existing Gate Plan
Scale: 1:50



01 Proposed Gate Plan
Scale: 1:50



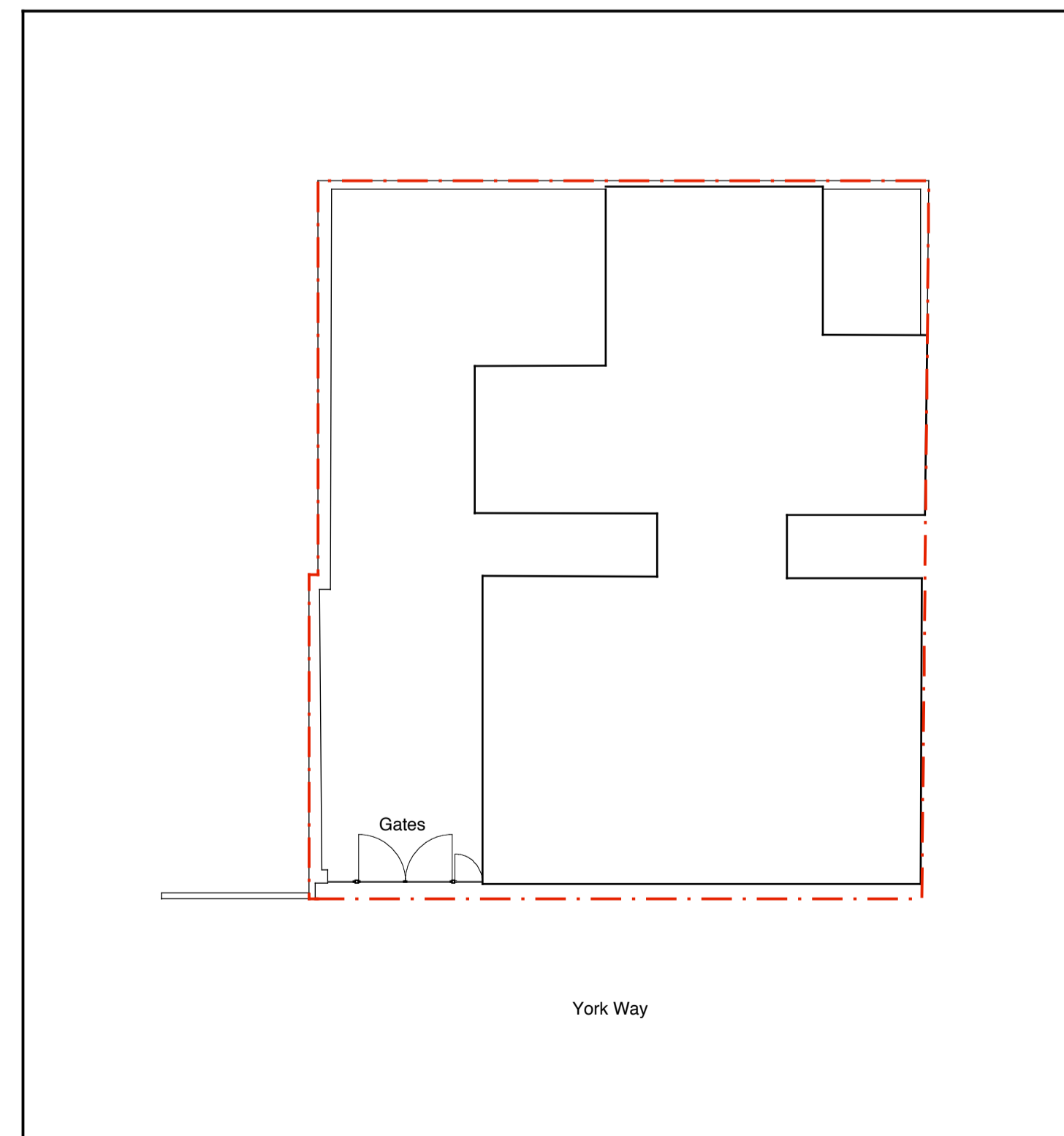
06 Existing Gate Elevation
Scale: 1:50



02 Proposed Gate Elevation
Scale: 1:50



03 Proposed Gate Section
Scale: 1:50



07 Site Plan 1:200



08 Photo of Existing Gate
Scale: 1:50



09 Photo of Existing Gate
Scale: 1:50

Notes

Key

0 1 2 3 4 M

PLANNING

Revisions

11 Wells Mews London W1T 3HD
 t 020 7580 8808 f 020 7636 9951
 www.ibla.uk.com postroom@ibla.uk.com

Client
Salamander Court

Project
Salamander Court Entrance

Drawing
Existing and Proposed Gate Plans, Sections, Elevations

Date
May 09

Scale
**1:100 at A3
1:50 at A1**

Drawn by
PI

Ref.
479 / P01