

Amenity/Side Road POST TOP LANTERN

The P560 is an elegant post top lantern for use at heights of 4 to 6 metres.

SPECIFICATION

The P560 lantern consists of a cylindrical bowl with a cast aluminium spigot and spun aluminium canopy.

An internal gear plate carries the control gear and lampholder. The decorative base is LM6 die cast aluminium powder coated black. The spun aluminium canopy is powder coated white on the underside and black on the top surface. The P560 is available with a clear bowl and refractors or louvres, alternatively it can be supplied with an opal bowl. The P560 lantern meets the requirements of BS4533 Part 201.3 and BS5489 Part 3.

An optional matching decorative casting to fit 140 x 76mm tubular steel columns is also available. IP Classification IP54.

Catalogue No.	
P560/R	P560 with refractor
P560/L	P560 with louvres
P560/OPAL	P560 with opal bowl
DB	Decorative base casting for tubular steel column 76mm shaft 140mm base.
G	Integral gear 50W or 70W SON 50W, 80W or 125W MBF 75W MBI
PC	Miniature 1 part Photocell

DIMENSIONS

Weight with control gear 70W SON: 8.2Kg
Projected area: 0.12 m²
Pole fixing spigot: 76 x 76mm

Phosco
LIGHTING

Phosco Lighting Ltd,
Chades House,
Great Amwell, Ware,
Herts., SG12 9TA
Tel: (0920) 462272
Fax Sales: (0920) 465815
Fax General: (0920) 461370

During our on going research and development process new and alternative options are continuously explored. If we feel the change will benefit a Client Phosco customer we have the ability to react with quality parts and produce designs. Thus we reserve the right to change specifications without prior notice or public announcement.

6/94



P560/L



P560/R



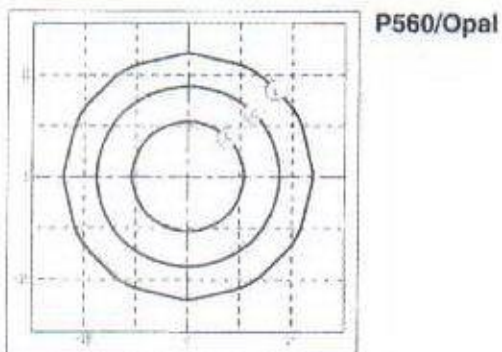
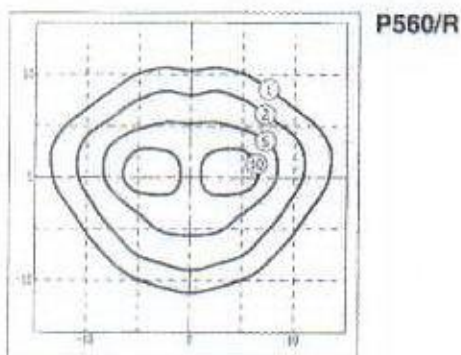
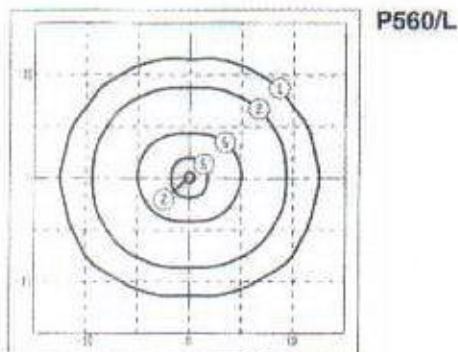
FM13959

P560

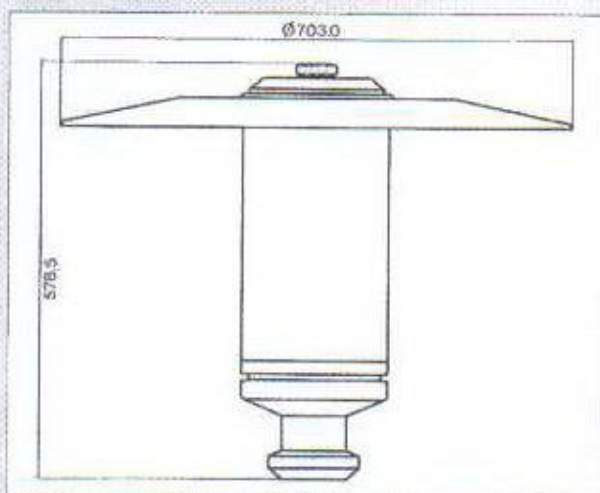
Amenity/Side Road POST TOP LANTERN

PHOTOMETRIC DATA

Isolux diagrams of luminaires at 5m with 70W SON lamps.



P560 on tubular steel column.



All dimensions in millimetres.

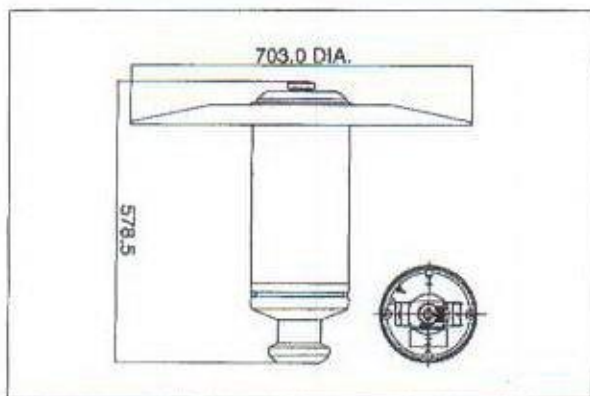
Phosco
LIGHTING

Phosco Lighting Ltd,
Charles House,
Great Arnwell, Ware,
Herts., SG12 9TA
Tel: (0920) 462272
Fax Sales: (0920) 485915
Fax General: (0920) 461370

P560

P560

INSTALLATION GUIDE



SPECIFICATION:

P560 decorative post top lantern for use with 50W - 70W SON, 50W - 125W MBF, 70W MBI.

Weight: 8.2kg max. (including lamp & gear)

CAUTION: ensure that the electrical supply is disconnected at the mains during installation and servicing. If in any doubt, consult a qualified electrician.

MECHANICAL INSTALLATION

Post top spigot size 76mm secured by 3 x M10 grub screws. Check fitting orientation as indicated. Feed incoming mains cable into the luminaire spigot entry. Fit luminaire to spigot ensuring the spigot enters the full depth of entry. Ensure fixing screws are tightened to a torque of 14-16Nm.

ELECTRICAL INSTALLATION

Feed the incoming cable through the spigot entry and make the appropriate connections to the 3 way terminal block. Secure cable with clamp. The incoming cable size should be between 1.0mm² and 1.5mm², with a sheath diameter range of between 7.0mm² and 10.5mm².

All electrical connections should be made in accordance to BS 7671 (1992).

OPERATION

Lamps should be fitted according to the makers instructions.

Before switching on, make sure that the top canopy has been replaced and properly secured.

Some discharge lamps do not ignite at once and if hot, may take 20 minutes or more to re-strike.

Therefore even if the lamp is not alight the lanterns wiring may still be LIVE.

Some lanterns may have photo electric controls fitted. These are connected to the supply, which means there are live connections in the lantern although it may not be alight.

SERVICING

Remove canopy by means of knob. Remove bowl by slipping over fitting. For gear compartment entry remove 2 x M6 Hex HD screws.

After servicing replace above.

DISPOSAL OF LAMPS

Lamps should be disposed of in accordance with the manufacturer's recommendations.



Phosco Regd. No. 545148 England

Phosco Lighting Ltd.
Charles House, Great Amwell,
Ware, Hertfordshire, SG12 9TA
Telephone: (01920) 860600
Fax Sales: (01920) 485915
Fax General: (01920) 860635



FM01397