



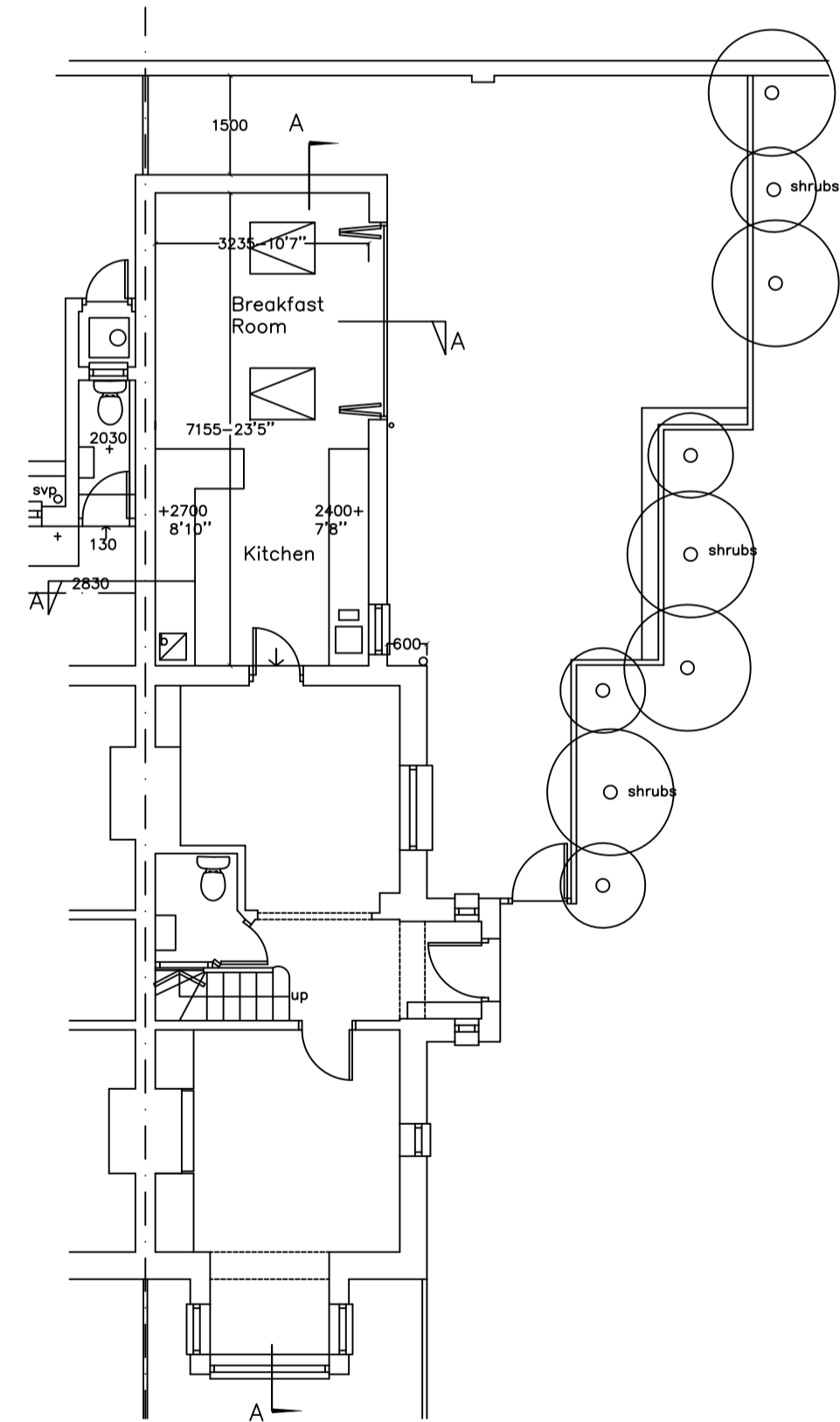
FRONT ELEVATION



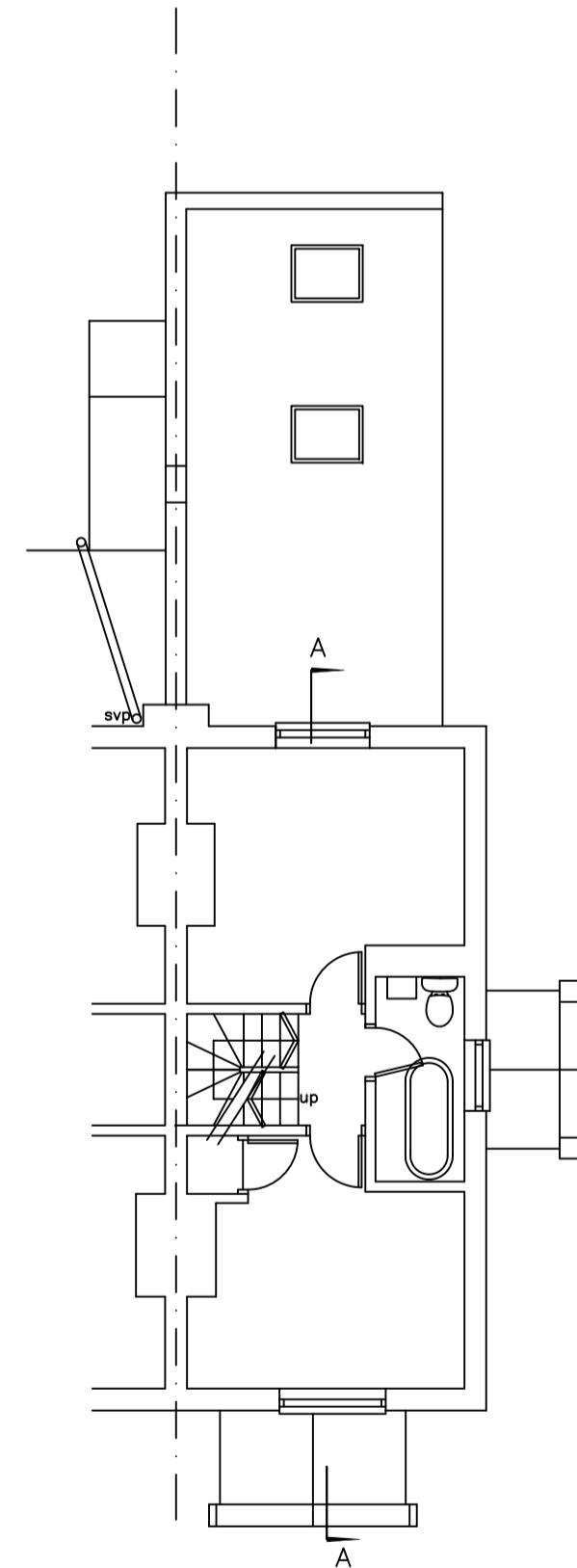
REAR ELEVATION



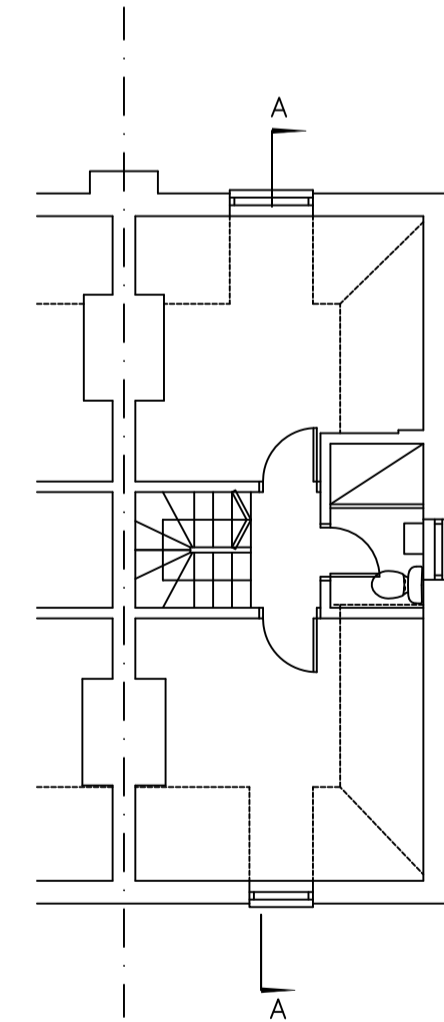
SIDE ELEVATION



GROUND FLOOR PLAN



FIRST FLOOR PLAN



SECOND FLOOR PLAN



REAR ELEVATION

C	Oct 09	Extension reduced in width and length
	DATE	REVISION

Client:
Mrs. S. Gooding
 Project Title:
2 TORRIANO COTTAGES
KENTISH TOWN
LONDON NW5 2TA
 Drawing Title:
PROPOSED FLOOR PLANS
ELEVATIONS & SECTION
 Scale: 1:100 @ A1 Date: 25.05.2009
TR/01/02 C
HARTLEYS PROJECTS LTD
18 AUBERT PARK Highbury
LONDON N5 1TU 0207 704 8272