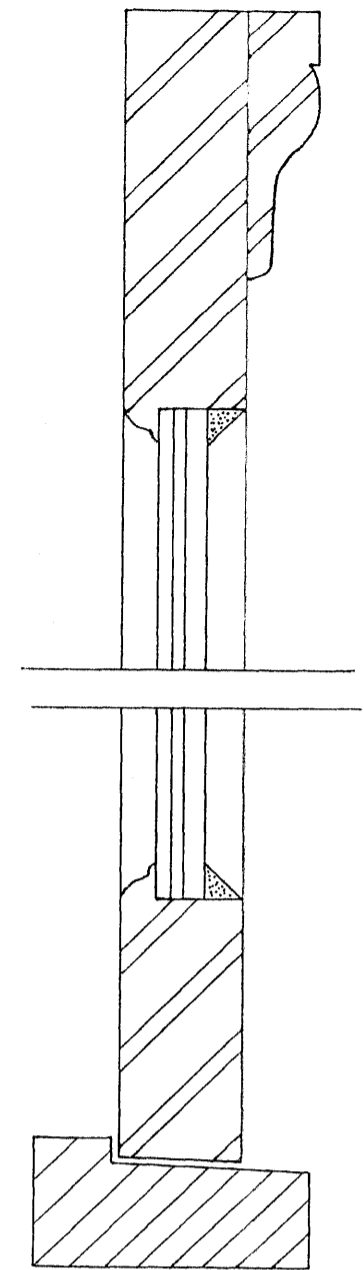
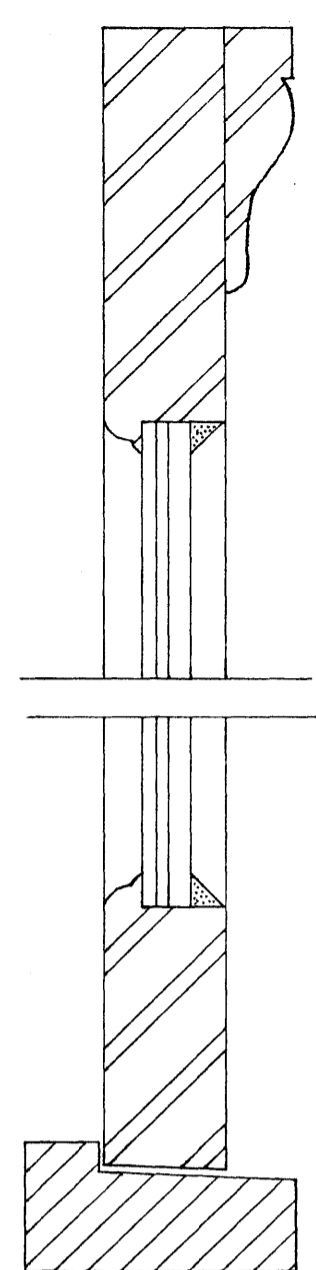


NO. 3 WINDOW

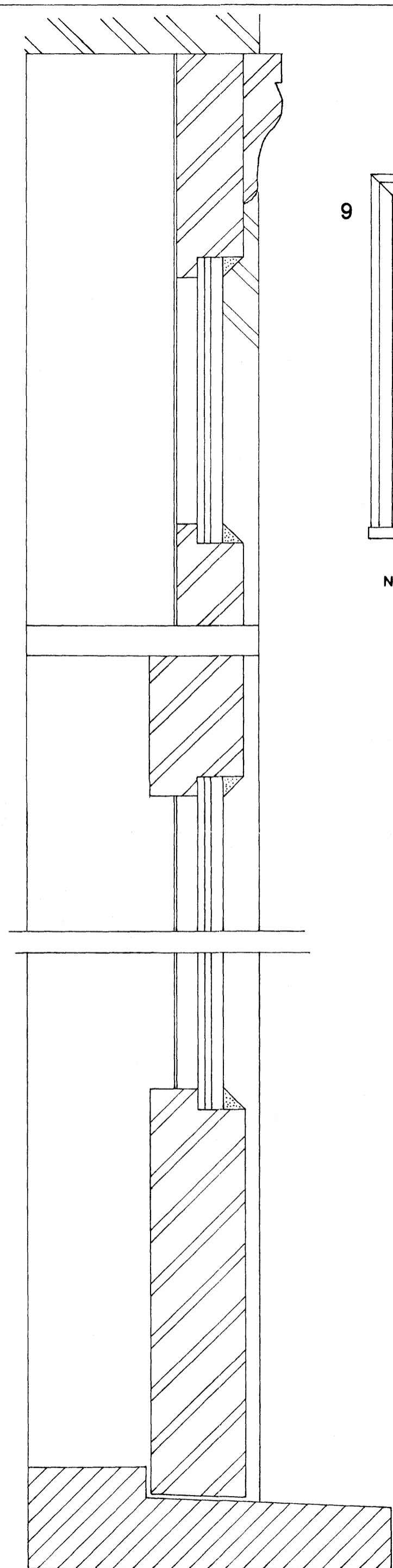


NO. 9 WINDOW

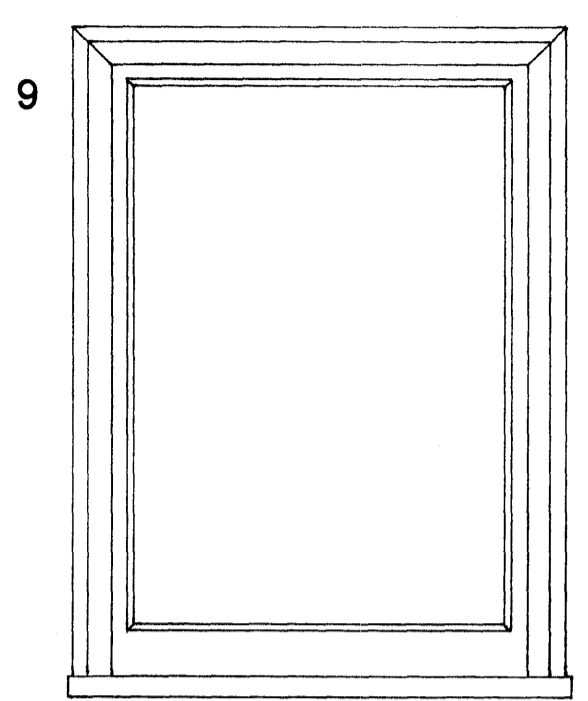
WINDOWS 3, 5, 9 AND FRENCH  
DOORS TO CONTAIN SLIMLITE  
SPEC DOUBLE GLAZING:  
3MM FLOAT GLASS  
3MM CAVITY  
6MM LAMINATE GLASS  
-----  
12MM TOTAL GLAZING THICKNESS



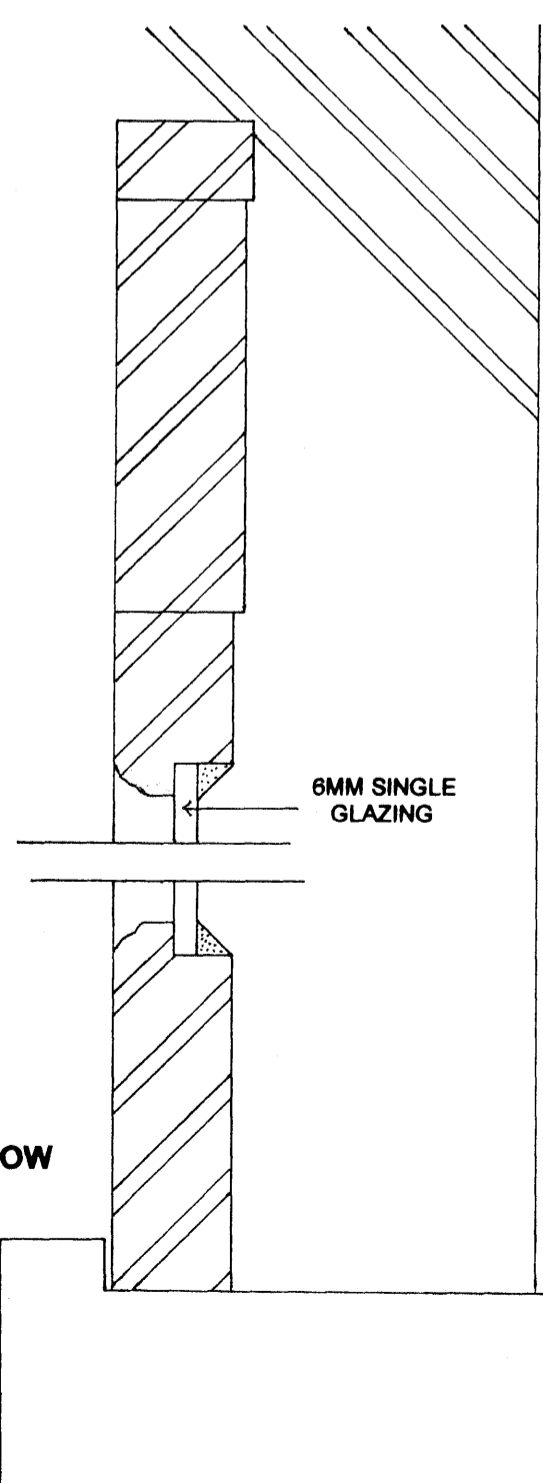
NO. 5 WINDOW



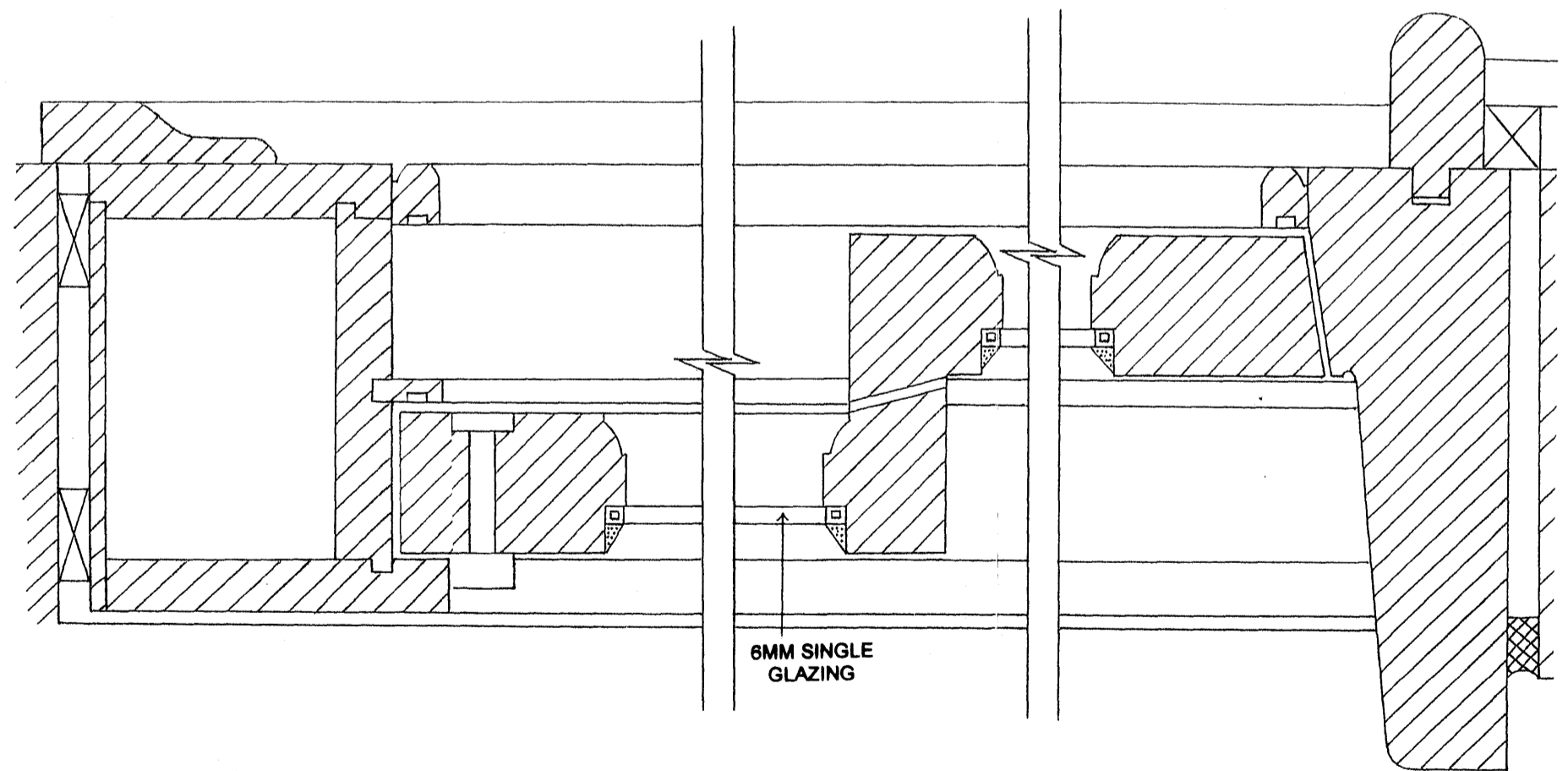
NO. 8 FRENCH DOORS



NO. 9 - NEW WINDOW INSERTED IN  
BLOCKED UP PORCH DOORWAY  
- ELEVATION DETAIL 1:10



NO. 6 WINDOW



NO. 4 AND NO. 7 SASH WINDOW

← STONE CILL

*JJ Planning*  
25 Cobb Green  
Watford  
Herts  
WD25 7HZ  
01923 463772  
email: info@jjplanning.co.uk  
www.jjplanning.co.uk

PROJECT: REPLACEMENT WINDOWS AND FRENCH DOORS
CLIENT: Mr J Peasnell
JOB TITLE: 17 The Mount Square, Hampstead
DRAWING NUMBER: 09/04/8
PROPOSED SECTIONS OF NEW WINDOWS AND DOORS
SCALE: 1:2
OCT 2009
NOTE: All details to be checked on site before commencement of works