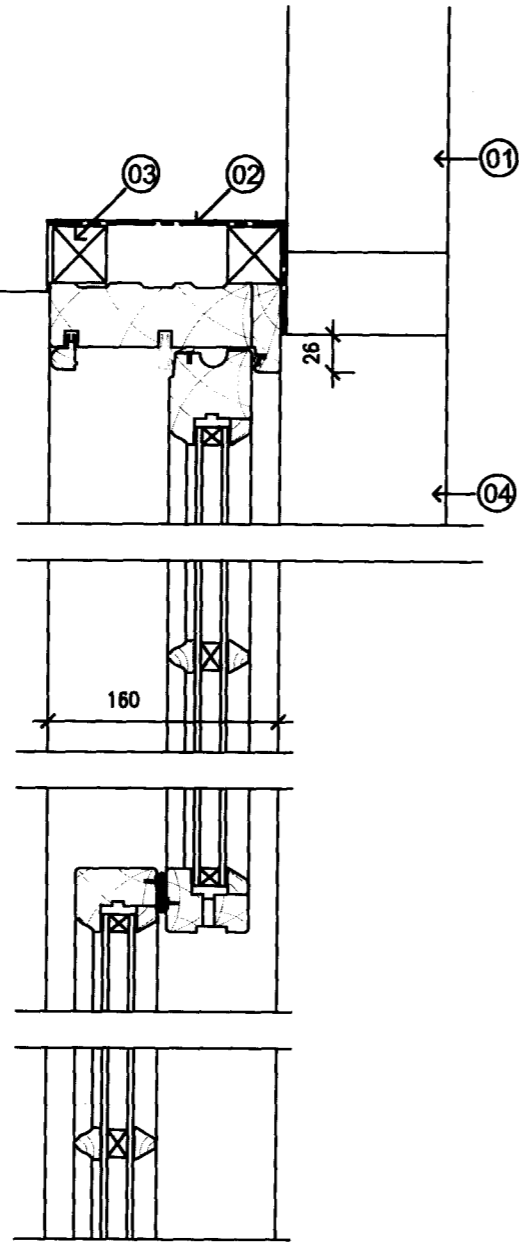
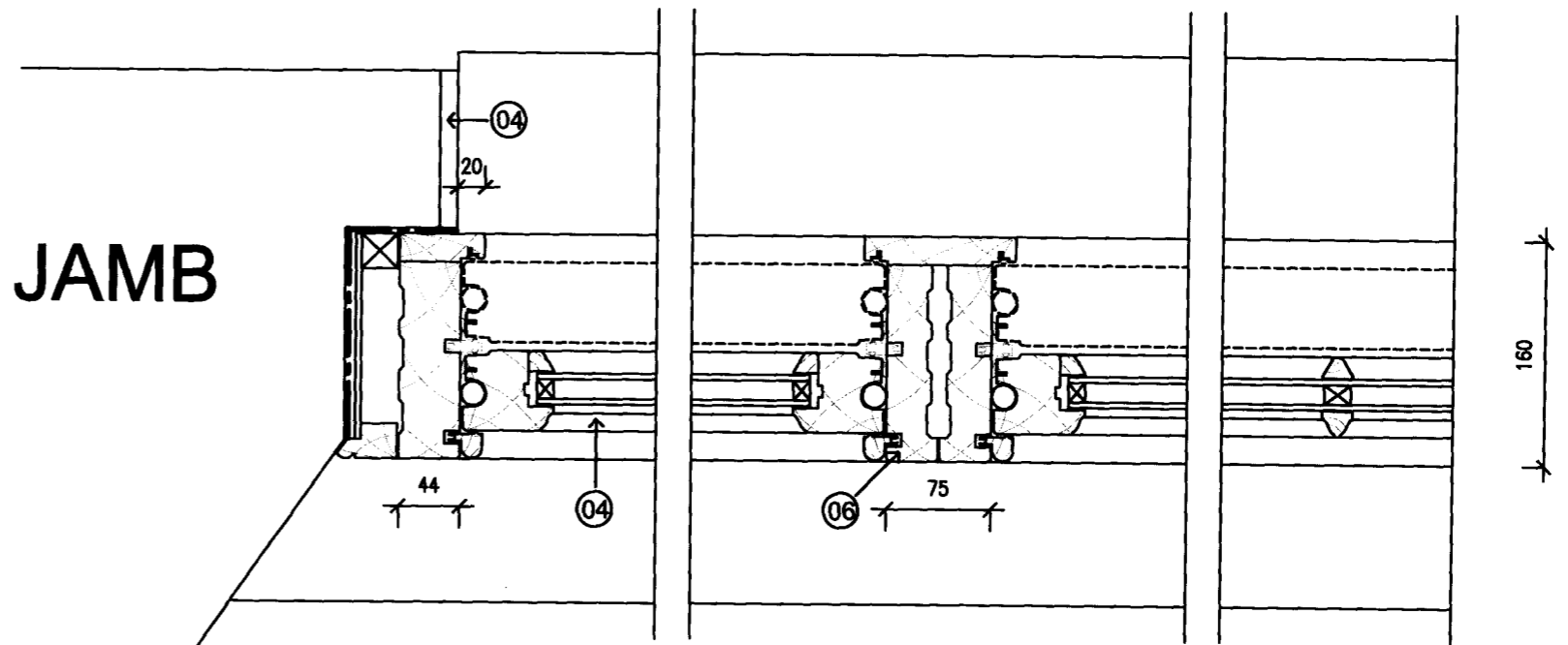


HEAD

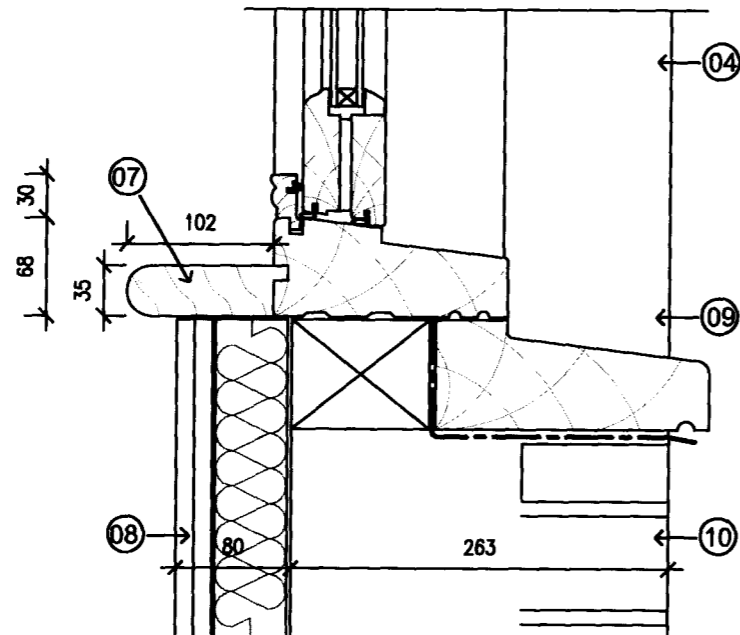


JAMB




Mumford & Wood Conservation Sash
 Made to measure to fit extg opening
 (as checked on site prior to order)
 Details as W11 & W12 as drawing AA(31)13

CILL



- ① extg brick arch retained
- ② dpc
- ③ framing as necessary to support head
- ④ extg cement fillet to reveals retained
- ⑤ fixed sidelight
- ⑥ intermedialte frame mullion
- ⑦ internal window cill
- ⑧ new dry-lining under window (2 layers 12.5mm plasterboard on metal studs with 50mm isowool between studs).
- ⑨ new hw sub-cill
- ⑩ 3 courses brickwork under cill rebuilt with special brick slip course under cill.

RECEIVED
 28 OCT 2009

 DO NOT SCALE OFF THIS DRAWING. ALL DIMENSIONS MUST BE CHECKED ON SITE PRIOR TO ANY WORK BEING PUT IN HAND. ANY DISCREPANCIES ARE TO BE BROUGHT TO THE ATTENTION OF THE PROJECT MANAGER IMMEDIATELY UPON DISCOVERY.	Project Officer: R. Clements Tel: 020 7679 1271 Fax: 020 7813 0524 Email: r.clements@ucl.ac.uk	029/04 22 Gordon Square Lower Ground Floor Refurbishment	
	Drawn: RC Date: Oct 09 Scale: 1:5 @ A3	Window W07 As Proposed (1:5)	DWG. NO. AA(31)16