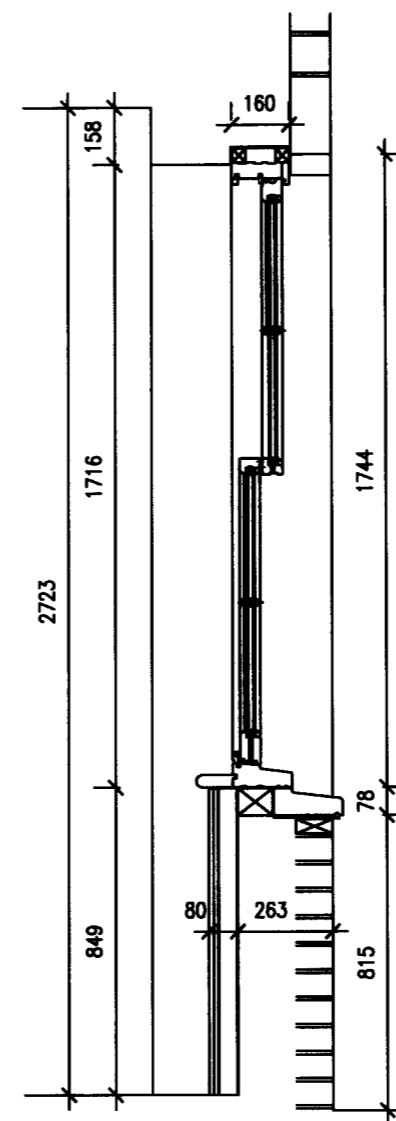
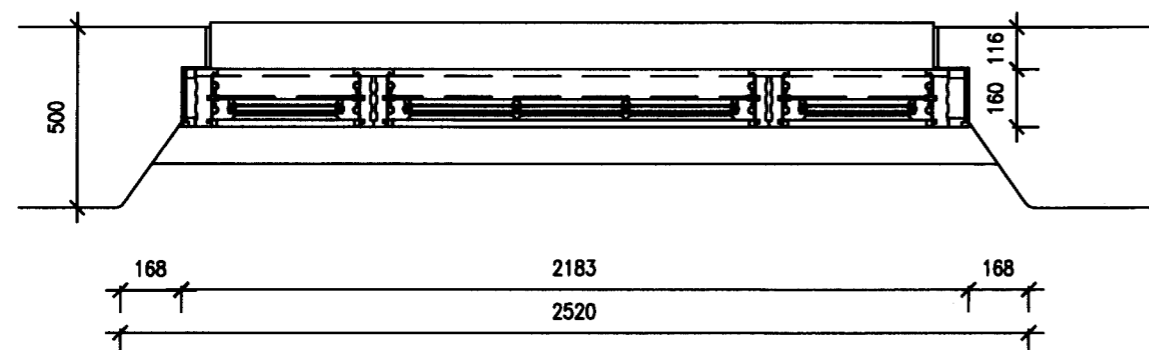


INTERNAL ELEVATION



SECTION



PLAN

APPROVED  
10/10/09



DO NOT SCALE OFF THIS DRAWING.  
ALL DIMENSIONS MUST BE CHECKED ON SITE  
PRIOR TO ANY WORK BEING PUT IN HAND.  
ANY DISCREPANCIES ARE TO BE BROUGHT TO  
THE ATTENTION OF THE PROJECT MANAGER  
IMMEDIATELY UPON DISCOVERY.

Project Officer: R. Clements  
Tel: 020 7679 1271  
Fax: 020 7813 0524  
Email: r.clements@ucl.ac.uk

Drawn: RC  
Date: Oct 09  
Scale: 1:20 @ A3

029/04  
22 Gordon Square  
Lower Ground Floor Refurbishment

Window W07  
As Proposed (1:20)

DWG. NO.  
AA(31)15

REV.  
P1