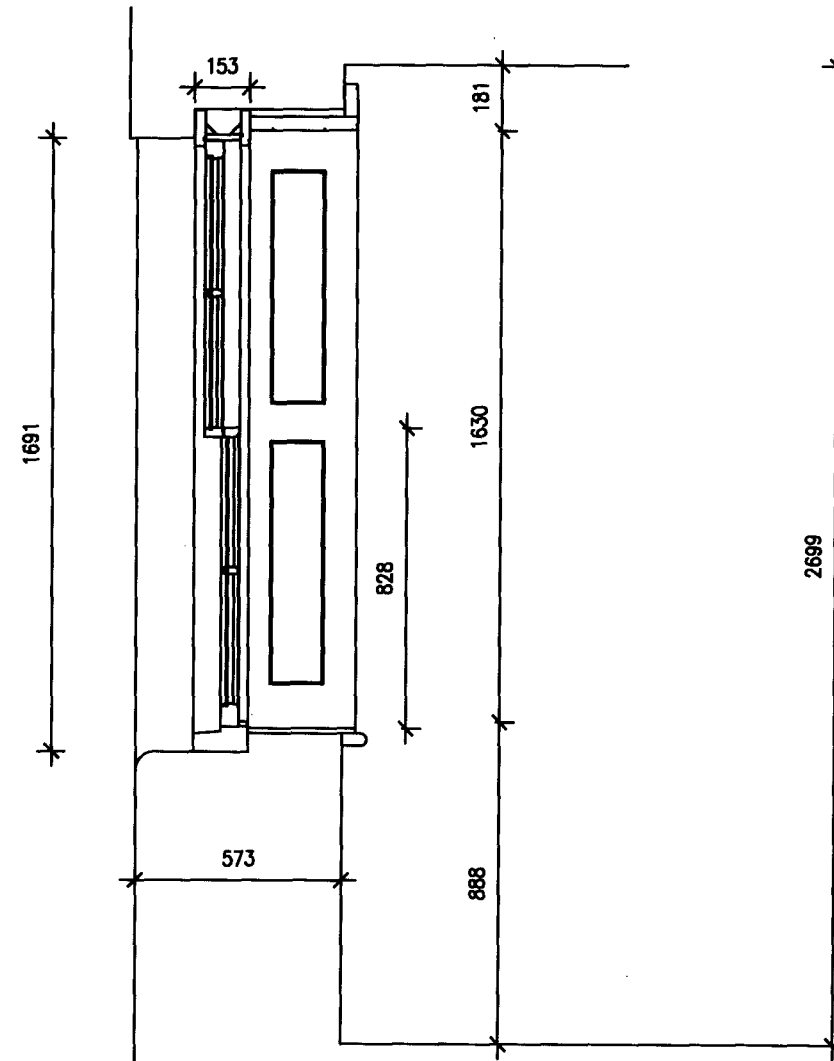
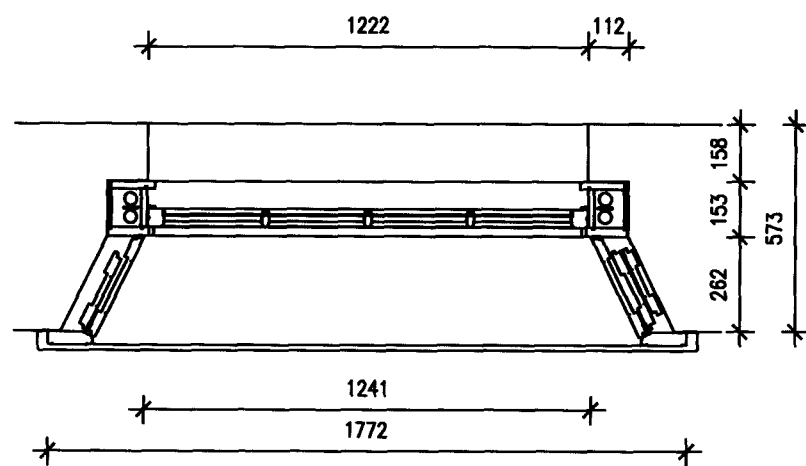


INTERNAL ELEVATION




SECTION



PLAN

RECEIVED  
25 OCT 2009

 <small>DO NOT SCALE OFF THIS DRAWING. ALL DIMENSIONS MUST BE CHECKED ON SITE PRIOR TO ANY WORK BEING PUT IN HAND. ANY DISCREPANCIES ARE TO BE BROUGHT TO THE ATTENTION OF THE PROJECT MANAGER IMMEDIATELY UPON DISCOVERY.</small>	Project Officer: R. Clements Tel: 020 7679 1271 Fax: 020 7813 0524 Email: r.clements@ucl.ac.uk	029/04 22 Gordon Square Lower Ground Floor Refurbishment	
	Drawn: RC Date: Oct 09 Scale: 1:20 @ A3	Windows W11 & 12 As Existing (1:20)	DWG. NO. <b>AA(31)11</b>