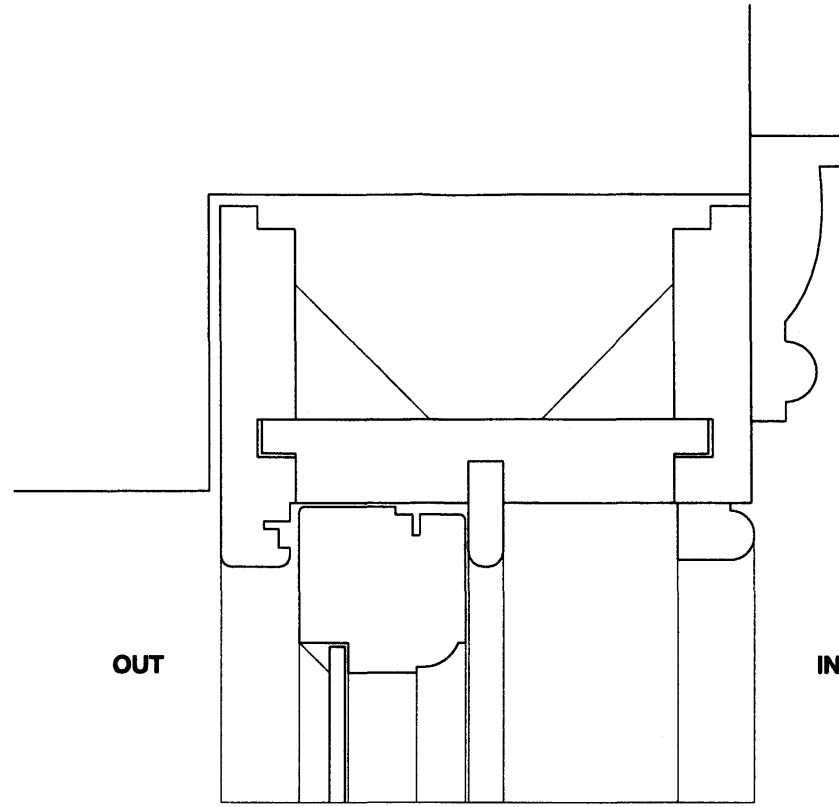


**ELEVATION OF REPLACEMENT WINDOW
GROUND FLOOR FRONT 1:20**

No alterations are proposed to the existing window opening

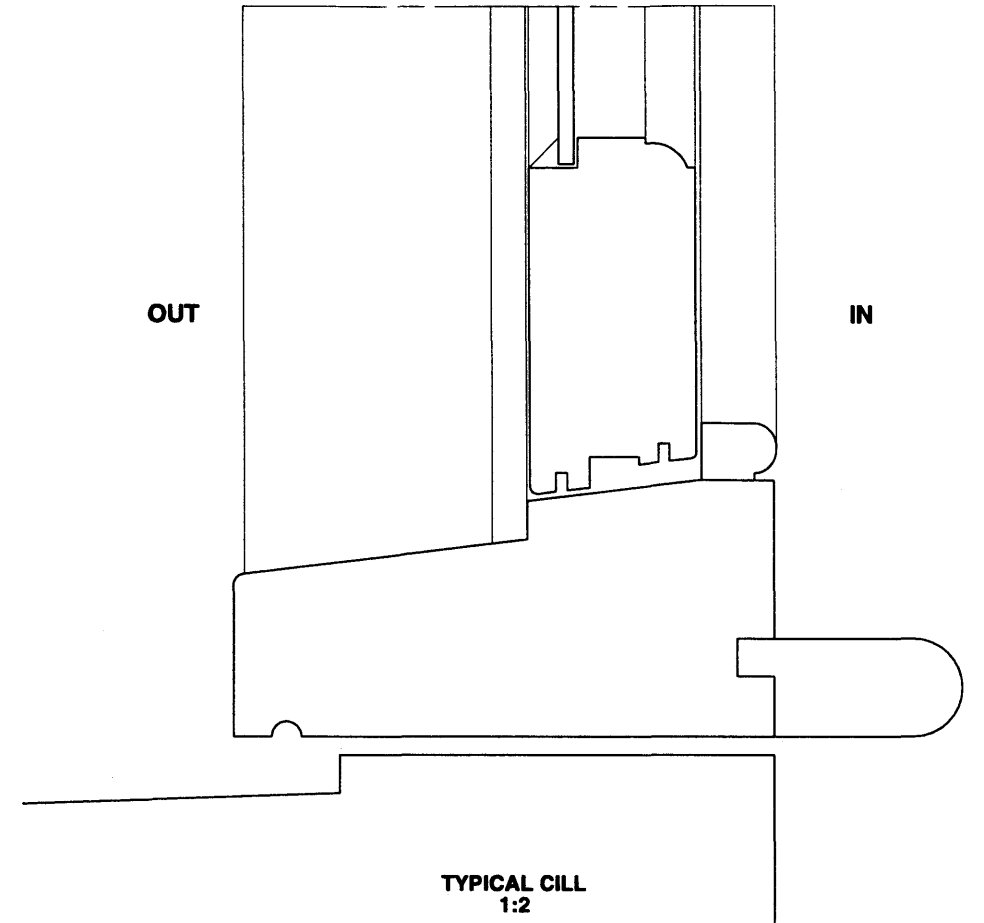
Made to measure traditional single glazed box sash window with corded and weighted operation

Traditional hand face putty external glazing with 4 mm thick float glass



**TYPICAL HEAD
1:2**

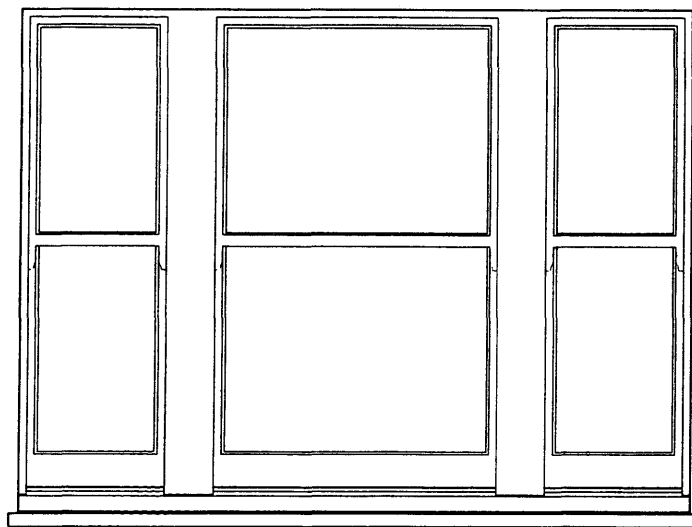
44 x 44 mm top rail with ovolo moulded sash grooved for weatherstripping, all for painting



**TYPICAL CILL
1:2**

Flush hardwood cill for painting

96 x 44 mm bottom rail with ovolo moulded sash grooved for weatherstripping, all for painting

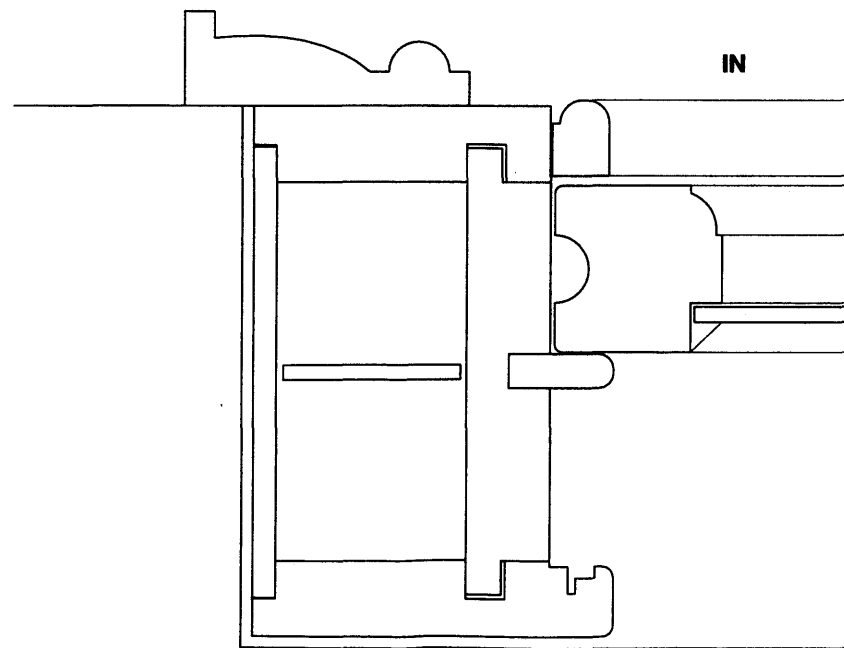


**ELEVATION OF REPLACEMENT WINDOW
LOWER GROUND FLOOR FRONT 1:20**

No alterations are proposed to the existing window opening

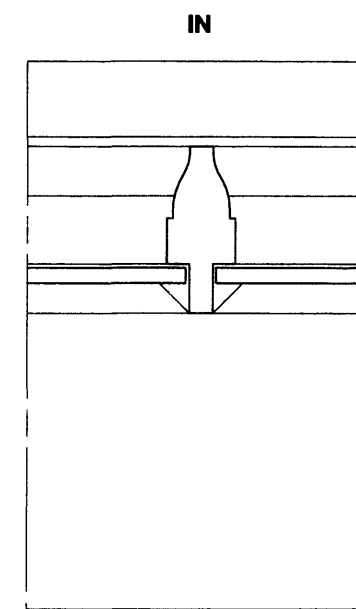
Made to measure traditional single glazed tripartite box sash window with corded and weighted operation

Traditional hand face putty external glazing with 4 mm thick float glass side lights fixed, centrl sash vertical sliding



**TYPICAL JAMB
1:2**

44 x 44 mm side rail with ovolo moulded sash grooved for weatherstripping, all for painting



**TYPICAL GLAZING BAR
1:2**

Victorian fine lambs tongue bar with traditional hand face putty external glazing with 4 mm thick float glass

JOB:	92 ALBERT STREET LONDON NW1 7NE
DRG. TITLE :	REPLACEMENT WINDOWS ELEVATIONS AND TYPICAL DETAILS
DRG. NO:	95-119/P.19
SCALE: 1:20/1:2 @ A3	DATE: DEC 2009
REVISION:	
READING + WEST ARCHITECTS LLP 30 NOTTINGHAM PLACE LONDON W1U 5NP TEL: 020 7486 2048 FAX: 020 7486 2148 info@readingandwest.co.uk www.readingandwest.co.uk	