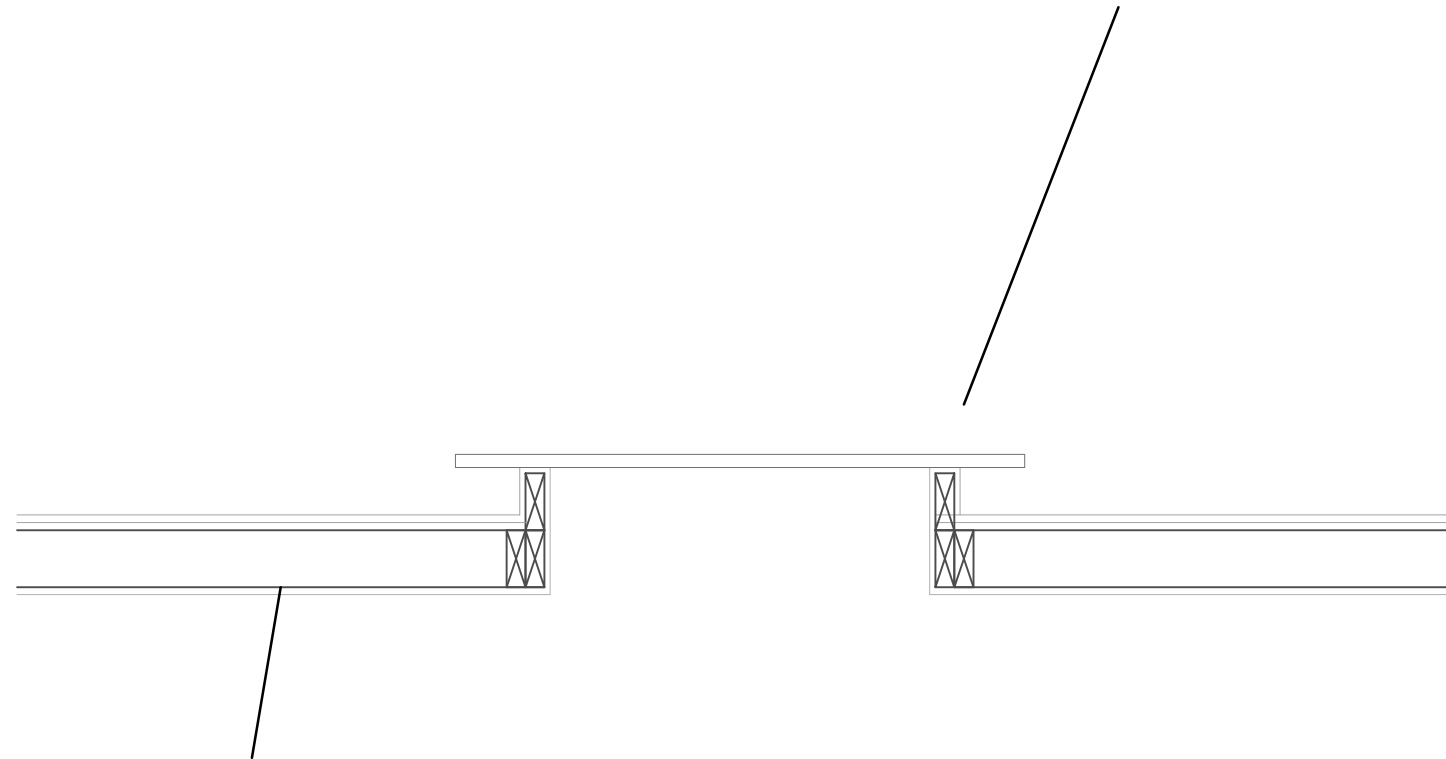


NEW FLAT ROOF LIGHT
OF DOUBLE GLAZED UNIT
FIXED TO TIMBER
UPSTAND



EXISTING TIMBER FLAT
ROOF CONSTRUCTION
CONTINUED LIKE FOR
LIKE ON TO EXTENSION
ROOF

REVISIONS		
Rev	Date	Detail

PROPOSED

Date: 29-12-2009

TITLE: 93 GREENCROFT GARDENS LONDON NW6 3PG
Scale: 1:20 (A3)

DRAWING: PROPOSED ROOFLIGHT SECTION
Revision: A
Drawg No.: 93GCG - 109